

Data sheets

UL Semi-hermetic reciprocating compressors > UL Standard series / for HFC-HCFC-HFO Blends

| Technical data: | | |
|--|--------------------------|------------------------------------|
| Cylinders | # | 4 |
| Displacement @ 60 Hz | m ³ /h [60Hz] | 100.57 |
| Motor version[1] | | 1 |
| Nominal Motor power (HP) | | 30 |
| Nominal Motor power (kW) | | 22 |
| Motor voltage at 60 Hz[2] | V/ph/Hz | 440-480V/3/60Hz PWS |
| Bridges for DOL start | | Standard |
| CC Head capacity control steps | % | 100%-50% |
| RSH Head capacity control steps | % | 100%-75% |
| Capacity control: CC + RSH | % | 100%-75%-50%-25% |
| Frequency min | Hz | 30 |
| Frequency max[3] | Hz | 70 |
| Electric terminal box class protection | | IP65 |
| Maximum pressure HP | bar | 30 |
| Maximum pressure LP | bar | 20.5 |
| Oil type[4] | | POE68 |
| Oil charge (3/4 of sight glass) | l | 4 |
| Lubrication type | | Oil pump |
| Suction valve (SV) | inch | 2 1/8 |
| Discharge valve (DV) | inch | 1 3/8 |
| Net weight | kg | 187 |
| Max Length | mm | 703 |
| Max Width | mm | 460 |
| Max Height | mm | 463 |
| Rubber mounts diameter[2] | mm | 50 |
| Rubber mounts height | mm | 30 |
| Rubber mounts shore | sh | 55 |
| Sound power level (-10/45, R404A)[5] | dB(A) | 81 |
| Sound pressure level @ 1m (-10/45, R404A)[5] | dB(A) | 73 |
| Sound power level (5/50, R404A) | dB(A) | 81.5 |
| Sound pressure level @ 1m (5/50, R404A) | dB(A) | 73.5 |
| Compressor body material | | Cast Iron |
| MRA, maximum operating current at 208-230V/60Hz | A | 110 |
| LRA, maximum starting current at 208-230V/60Hz , PWS | A | 282 |
| LRA, maximum starting current at 208-230V/60Hz , DOL | A | 462 |
| MRA, maximum operating current at 460V/60Hz | A | 55 |
| LRA, maximum starting current at 460V/60Hz , DOL motor | A | 231 |
| MRA, maximum operating current at 575V/60Hz | A | 38.64 |
| LRA, maximum starting current at 575V/60Hz PWS | A | 108 |
| LRA, maximum starting current at 575V/60Hz PWS motor | A | 174 |
| UL Motor type -2NU | V/ph/Hz | 208-230/3/60 DOL/PWS; 460/3/60 DOL |
| UL Motor type -5PU | V/ph/Hz | 575/3/60 PWS |
| LRA, maximum starting current at 208-230V/60Hz - PWS | A | |
| Motor protection | | AMS |
| Oil level sight glass | # | 2 |
| Control, diagnostics and protection device | | INT69® TML Diagnose |

[1] Motor version: 1 = high and mid temperature, all refrigerants; 2 = low and mid temperature, all refrigerants; 3 = ECOinside, low temperature, R134a and R1234ze only

[2] Others available on request

[4] Different kind of oil available on request

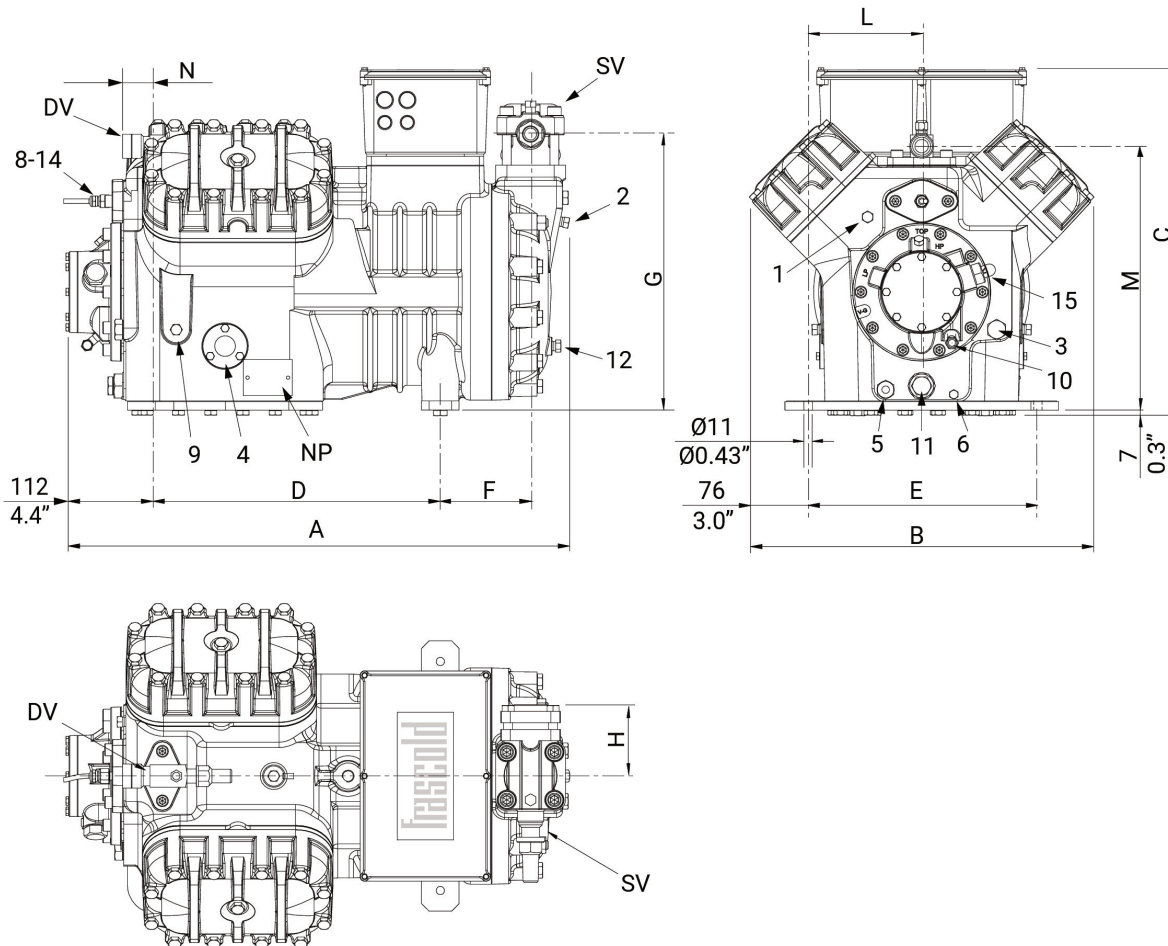
Data sheets

UL Semi-hermetic reciprocating compressors > UL Standard series / for HFC-HCFC-HFO Blends

| Accessories: | |
|--|-------------|
| Oil heater (230V-150W) | T00CH9-RIC |
| CC capacity control head 230V AC | T00SK220200 |
| US unloader start head 230V AC | T00SK250200 |
| Optoelectronic oil level switch | T00WK252 |
| Electronic oil level regulator | T00EC1900 |
| Discharge temperature sensor | T00EC50D |
| Head cooling fan - 230-400V/3/50-60Hz | SZ-FM2V |
| Kit adapters for oil equalization line - 1" ROT 5/8" ODS | T00SK170200 |
| Kit adapters for oil equalization line - 1"1/4 ROT 1"1/8 ODS | T00SK170300 |

Data sheets

UL Semi-hermetic reciprocating compressors > UL Standard series / for HFC-HCFC-HFO Blends



Dimensional drawing:

| | | |
|----------------------|------|-----------------|
| SV Suction valve | mm | 54 |
| SV Suction valve | inch | 2 $\frac{1}{8}$ |
| DV Discharge valve | mm | 35 |
| DV Discharge valve | inch | 1 $\frac{3}{8}$ |
| A Length | mm | 703 |
| B Width | mm | 460 |
| C Height | mm | 463 |
| D Base mounting | mm | 381 |
| E Base mounting | mm | 305 |
| F Suction valve | mm | 133 |
| G Suction valve | mm | 389 |
| H Suction valve | mm | 130 |
| L Discharge valve | mm | 152 |
| M Discharge valve | mm | 352 |
| N Discharge valve | mm | 48 |
| 1 High pressure plug | | 1/8" NPT |

| | | |
|--|--|----------|
| 2 Low pressure plug | | 1/4" NPT |
| 3 Oil charge plug | | 3/8" GAS |
| 4 Oil level sight glass | | - |
| 5 Crankcase heater | | - |
| 6 Oil drain plug | | 3/8" GAS |
| 7 Liquid injection valve plug | | 1/8" NPT |
| 8 Liquid injection sensor plug | | 1/8" NPT |
| 9 Oil pressure switch connection (LP) | | 1/4" NPT |
| 10 Oil pressure switch connection (HP) | | 1/4" SAE |
| 11 Oil filter | | 3/8" GAS |
| 12 Oil return plug | | 1/4" NPT |
| 14 Max. discharge temperature sensor | | - |
| 15 Electronic oil pressure switch connection | | - |
| DV Discharge valve | | - |
| SV Suction valve | | - |
| NP Name Plate | | - |