

## Data sheets

For HFC/HFO/HCFC refrigerants > Standard and ECOinside series

Technical data:		
Cylinders	#	4
Displacement @ 50 Hz	m <sup>3</sup> /h [50Hz]	51.5
Displacement @ 60 Hz	m <sup>3</sup> /h [60Hz]	61.8
Motor version[1]		2
Nominal Motor power (HP)		10
Nominal Motor power (kW)		7.5
Motor voltage at 50 Hz[2]	V/ph/Hz	380-420V/3/50Hz PWS
Motor voltage at 60 Hz[2]	V/ph/Hz	440-480V/3/60Hz PWS
PWS partition		50-50
CC Head capacity control steps	%	100-50
RSH Head capacity control steps	%	100-75-50
MRA, maximum operating current at 400V/50Hz and	A	24.5
LRA, maximum starting current at 400V/50Hz and	A	59.1
LRA, max starting current at 400V/50Hz and 460V/60Hz,	A	102.29
Frequency min	Hz	25
Frequency max[3]	Hz	87
Electric terminal box class protection		IP56
Maximum pressure HP	bar	30
Maximum pressure LP	bar	20.5
Oil type[4]		POE32
Oil charge (3/4 of sight glass)	l	2.9
Lubrication type		Centrifugal
Suction valve (SV)	inch	1 3/8
Discharge valve (DV)	inch	1 1/8
Net weight	kg	120
Max Length	mm	550
Max Width	mm	405
Max Height	mm	405
Rubber mounts diameter	mm	50
Rubber mounts height	mm	50
Rubber mounts shore	sh	55
Sound power level (-10/45, R404A)[5]	dB(A)	76.5
Sound pressure level @ 1m (-10/45, R404A)[5]	dB(A)	68.5
Compressor body material		Cast Iron
Motor protection		AMS
Control, diagnostics and protection device		INT69@ Diagnose
Oil level sight glass	#	2

[1] Motor version: 1 = high and mid temperature, all refrigerants; 2 = low and mid temperature, all refrigerants; 3 = ECOinside, low temperature, R134a and R1234ze only

[2] Others available on request

[3] Maximum frequency depends on the working condition: see FSS3 (Frascold selection software)

[4] Different kind of oil available on request

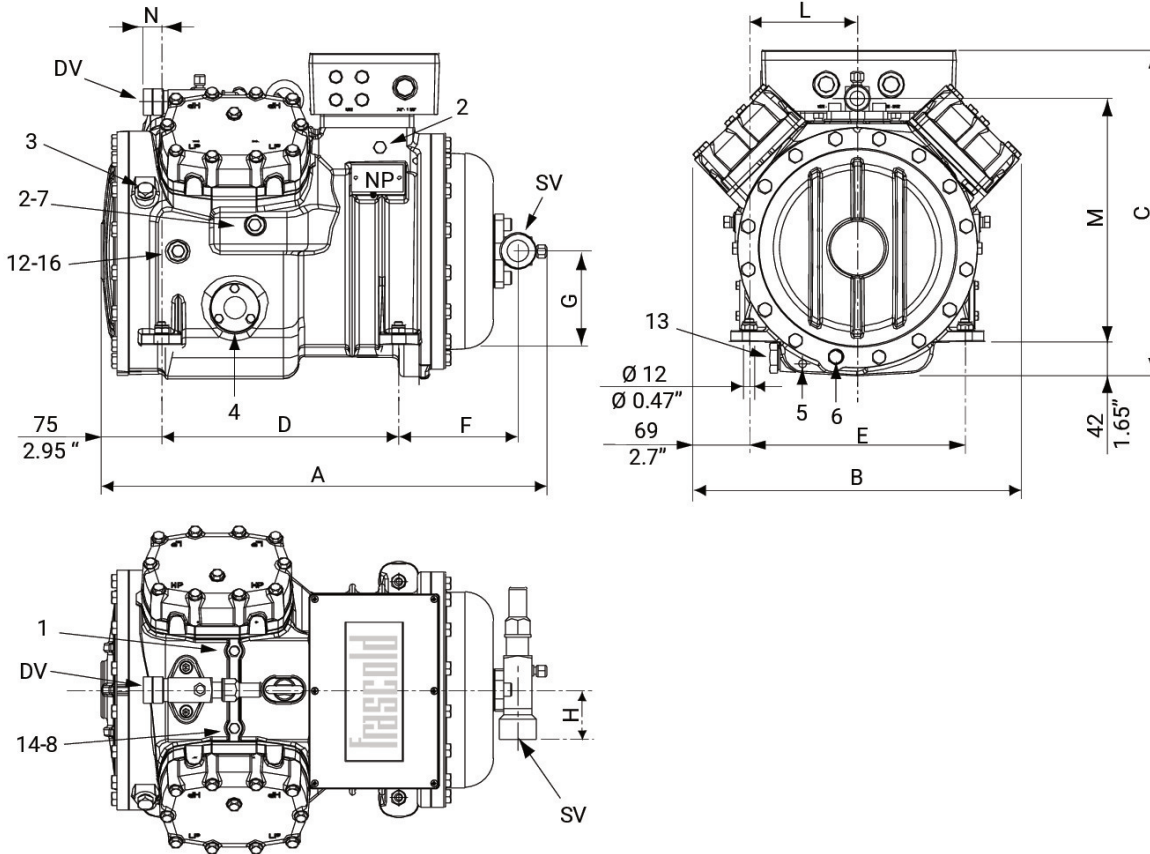
## Data sheets

For HFC/HFO/HCFC refrigerants > Standard and ECOinside series

Accessories:	
Water cooled head	T00SK50010
Oil heater (230V-70W)	T00CH1-RIC
Discharge temperature sensor	T00EC50D
RSH capacity control head 230V AC	T00SK220360
CC capacity control head 230V AC	T00SK220100
US unloader start head 230V AC	T00SK250100
Head cooling fan - 230-400V/3/50-60Hz	SZ-FM2S
Electronic oil level regulator	T00EC1900
Kit adapters for oil equalization line - 1" ROT 5/8" ODS	T00SK170200
Kit adapters for oil equalization line - 1"1/4 ROT 1"1/8 ODS	T00SK170300
DP Modbus Gateway	T00EC59
Connection cable Modbus Gateway - INT69	T00EC65
USB adapter cable	T00EC57
FLI electronic liquid injection	SZ-FLI

## Data sheets

For HFC/HFO/HCFC refrigerants > Standard and ECOinside series



### Dimensional drawing:

SV Suction valve	mm	35
DV Discharge valve	mm	28.6
SV Suction valve	inch	1 3/8
DV Discharge valve	inch	1 1/8
A Length	mm	550
B Width	mm	405
C Height	mm	405
D Base mounting	mm	292
E Base mounting	mm	266
F Suction valve	mm	147
G Suction valve	mm	115
H Suction valve	mm	58
L Discharge valve	mm	133
M Discharge valve	mm	298
N Discharge valve	mm	23
1 High pressure plug		1/8" NPT

2 Low pressure plug		1/8" NPT
3 Oil charge plug		1/4" GAS
4 Oil level sight glass		-
5 Crankcase heater		-
6 Oil drain plug		M10 x 30
7 Liquid injection valve plug		1/4" NPT
8 Liquid injection sensor plug		1/8" NPT
12 Oil return plug		1/4" NPT
13 Magnetic plug		1/2" GAS
14 Max. discharge temperature sensor		1/8" NPT
16 Crankcase pressure plug		1/4" NPT
NP Name Plate		-
DV Discharge valve		-
SV Suction valve		-