

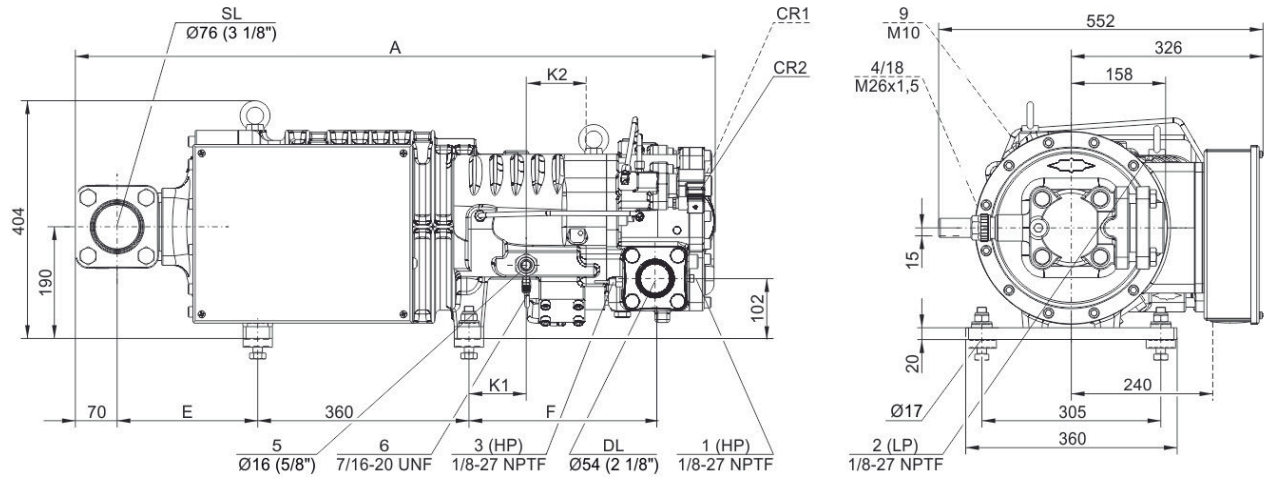


BITZER Software v6.17.8 rev2725

All data subject to change.

Technical Data: HSN7471-75

Dimensions and Connections



Typ	A	E	F	K1	K2
HS.7451,HS.7461	1015	190	295	76	109
HSK7471-70, HSN7471-75	1037	190	318	98	97
HSK7471-90	1087	240	318	98	97

Technical Data

Technical Data

Displacement (2900 RPM 50 Hz)	147 CFM
Displacement (3500 RPM 60 Hz)	178 CFM
Weight	719 lb
Max. pressure (LP/HP)	275 / 400 psi
Connection suction line	76 mm - 3 1/8"
Connection discharge line	54 mm - 2 1/8"
Adapter/shut-off valve for ECO	22 mm - 7/8" (Option)
Oil type R22	B150SH, B100 (Option)
Oil type R134a/R404A/R507A/R407A/R407F	BSE170
Oil type R448A/R449A/R454C	BSE170

Motor data

Motor version	1
Motor voltage (more on request)	440-480V PW-3-60Hz UL
Max operating current	144.0 A
Starting current (Rotor locked)	350.0 A D / 585.0 A DD
Max. Power input	102.6 kW

Extent of delivery (Standard)

Discharge gas temperature sensor	Standard
Start unloading	Standard
Oil flow control	SE-B3 (Standard)
Motor protection	SE-E1 (Standard), SE-E3 (Standard for 660-690V)
Suction shut-off valve	Standard
Capacity control	100-75-50% (Standard)
Enclosure class	IP54

Available Options

Discharge shut-off valve	Option
ECO connection with shut-off valve	Option
Motor protection	SE-i1 (200-690V)

Sound measurement

Sound power level (-35°C / 40°C)	89.5 dB(A)
Sound pressure level @ 1m (-35°C / 40°C)	81.5 dB(A)