

# Technical Data Sheet

Compressor model **S26TN\_V**  
 Voltage **220-240V 50Hz ~1**  
 Refrigerant **R22**

## APPLICATION

## COMPRESSOR

## MOTOR

Application	High-Medium Back Pressure	Displacement	25,93 cm <sup>3</sup>	Nominal Power	1 hp
Refrigerant	R22	Diameter	39,98 mm	Voltage/Frequency	220-240V 50Hz
Evaporating Temp.	-25,0 °C to 10,0 °C	Stroke	20,65 mm	Voltage range	196-253 V
Expansion	Capillar/Valve	Net Weight	22,70 Kg	Type	CSR
Comp. Cooling	Fan cooled	Oil type	ISO VG 46 MINER	Phase number	1 PH
Max. ambient temp.	43,0 °C	Oil charge	887 cm <sup>3</sup>	Locked Rotor Amps (LRA)	38,00 A
				Max. Cont. Current (MCC)	11,50 A
				Main W. resist. at 25°C	1,65 Ω
				Start W. resist. at 25°C	4,90 Ω

## NOMINAL PERFORMANCE

	ASHRAE	CECOMAF
Cooling Capacity	3.050 kCal/h	3.024 W
COP	2,50 W/W	2,18 W/W
EER	2,15 kCal/Wh	1,88 kCal/Wh
Input Power	1.420 W	1.386 W
Current	7,20 A	7,03 A

## APPROVALS



## TEST CYCLE CONDITIONS

	ASHRAE HMBP (D)	CECOMAF HMBP (C)
Evaporating temp. (T <sub>e</sub> )	7,2 °C	5,0 °C
Condensing temp. (T <sub>c</sub> )	55,0 °C	55,0 °C
Liquid temp. (T <sub>liq.</sub> )	46,0 °C	55,0 °C
Ambient temp. (T <sub>amb.</sub> )	35,0 °C	32,0 °C
Suction temp. (T <sub>suction</sub> )	35,0 °C	32,0 °C
Voltage/Frequency	220 V 50 Hz	220 V 50 Hz

## ELECTRICAL COMPONENTS

Starting capacitor	88-108 μF 330 V		
Run capacitor	20 μF 420 V		
Relay	Option 1	Option 2	
Reference	3ARR3 10AS3	RVA 3G..	
Pick-Up	180-195 V	180-195 V	
Drop-Out	40-105 V	40-105 V	
Protector	Option 1	Option 2	
Reference	MRA38123	T0534	
Current	22,00 A	20,00 A	
Time check	7,5-14 seg	7,5-14 seg	
Disc temp. (Open/Close)	105,00 / 52,00 °C	105,00 / 52,00 °C	

## ASHRAE

Tc °C	Te °C	Cooling Capacity kCal/h	Consumption W	Current A	COP W/W	EER kCal/Wh
40	-25	781	618	3,69	1,47	1,26
40	-20	1.124	731	4,12	1,79	1,54
40	-15	1.518	836	4,54	2,11	1,82
40	-10	1.963	933	4,94	2,45	2,10
40	-5	2.458	1.020	5,31	2,80	2,41
40	0	3.004	1.099	5,66	3,18	2,73
40	5	3.601	1.170	5,99	3,58	3,08
40	7,2	3.880	1.198	6,12	3,77	3,24
40	10	4.248	1.232	6,28	4,01	3,45

45	-25	702	620	3,70	1,32	1,13
45	-20	1.015	745	4,17	1,58	1,36
45	-15	1.378	861	4,64	1,86	1,60
45	-10	1.792	968	5,09	2,15	1,85
45	-5	2.257	1.067	5,52	2,46	2,11
45	0	2.772	1.157	5,93	2,79	2,40
45	5	3.338	1.239	6,31	3,13	2,69
45	7,2	3.603	1.272	6,47	3,29	2,83
45	10	3.955	1.312	6,66	3,51	3,01

50	-25	623	623	3,71	1,16	1,00
50	-20	905	758	4,23	1,39	1,19
50	-15	1.238	886	4,74	1,63	1,40
50	-10	1.621	1.004	5,24	1,88	1,61
50	-5	2.055	1.114	5,73	2,15	1,84
50	0	2.540	1.215	6,20	2,43	2,09
50	5	3.075	1.308	6,64	2,73	2,35
50	7,2	3.327	1.346	6,83	2,87	2,47
50	10	3.661	1.392	7,06	3,06	2,63

55	-25	544	625	3,72	1,01	0,87
55	-20	795	772	4,28	1,20	1,03
55	-15	1.097	910	4,84	1,40	1,21
55	-10	1.450	1.040	5,40	1,62	1,39
55	-5	1.853	1.161	5,95	1,86	1,60
55	0	2.307	1.273	6,48	2,11	1,81
55	5	2.812	1.377	6,98	2,37	2,04
55	7,2	3.050	1.420	7,20	2,50	2,15
55	10	3.367	1.472	7,47	2,66	2,29

## CECOMAF

Tc °C	Te °C	Cooling Capacity W	Consumption W	Current A	COP W/W	EER kCal/Wh
40	-25	853	621	3,70	1,37	1,19
40	-20	1.231	735	4,14	1,67	1,45
40	-15	1.663	841	4,56	1,98	1,71
40	-10	2.149	938	4,96	2,29	1,98
40	-5	2.690	1.026	5,34	2,62	2,26
40	0	3.285	1.106	5,70	2,97	2,57
40	5	3.933	1.177	6,02	3,34	2,89
40	7,2	4.236	1.206	6,16	3,51	3,03
40	10	4.637	1.240	6,32	3,74	3,23

45	-25	764	623	3,71	1,23	1,06
45	-20	1.106	749	4,19	1,48	1,28
45	-15	1.503	866	4,66	1,74	1,50
45	-10	1.953	974	5,11	2,01	1,73
45	-5	2.458	1.074	5,55	2,29	1,98
45	0	3.017	1.165	5,96	2,59	2,24
45	5	3.630	1.247	6,35	2,91	2,52
45	7,2	3.917	1.281	6,51	3,06	2,64
45	10	4.298	1.321	6,71	3,25	2,81

50	-25	675	626	3,72	1,08	0,93
50	-20	982	763	4,24	1,29	1,11
50	-15	1.342	891	4,76	1,51	1,30
50	-10	1.757	1.010	5,27	1,74	1,50
50	-5	2.226	1.121	5,76	1,99	1,72
50	0	2.750	1.223	6,24	2,25	1,94
50	5	3.327	1.317	6,69	2,53	2,18
50	7,2	3.599	1.355	6,87	2,66	2,29
50	10	3.959	1.402	7,11	2,82	2,44

55	-25	586	628	3,73	0,93	0,81
55	-20	857	776	4,30	1,10	0,95
55	-15	1.182	915	4,86	1,29	1,12
55	-10	1.561	1.046	5,43	1,49	1,29
55	-5	1.995	1.168	5,98	1,71	1,48
55	0	2.482	1.281	6,51	1,94	1,67
55	5	3.024	1.386	7,03	2,18	1,88
55	7,2	3.280	1.430	7,25	2,29	1,98
55	10	3.620	1.482	7,52	2,44	2,11

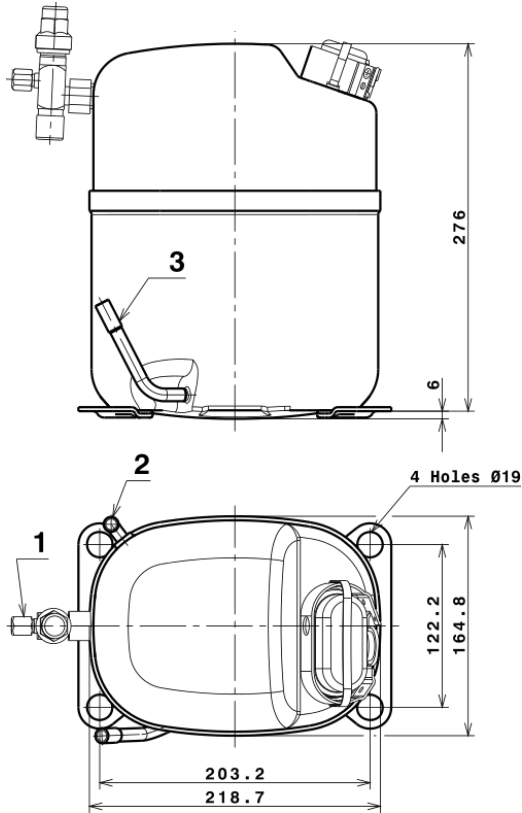
## EN12900

X	Cooling Capacity (W)	Consumption (W)	Current (A)	Mass Flow (kg/h)
1	5.493,9782819422	655,1082724897	3,3583631271	96,14458883986
2	184,2473289523	-2,5613461609	-0,0170771843	3,4524601221714
3	-54,9275668814	12,0224401752	0,0602310450	-0,66031212395947
4	1,0947681996	-0,1675500983	-0,0001676442	0,030003487235246
5	-1,4770871118	0,4603311429	0,0023328390	-0,01550641486991

Equation	$x_1 + x_2Te + x_3Tc + x_4Te^2 + x_5TeTc$
----------	---

# Technical Data Sheet

## COMPRESSOR DIMENSIONS

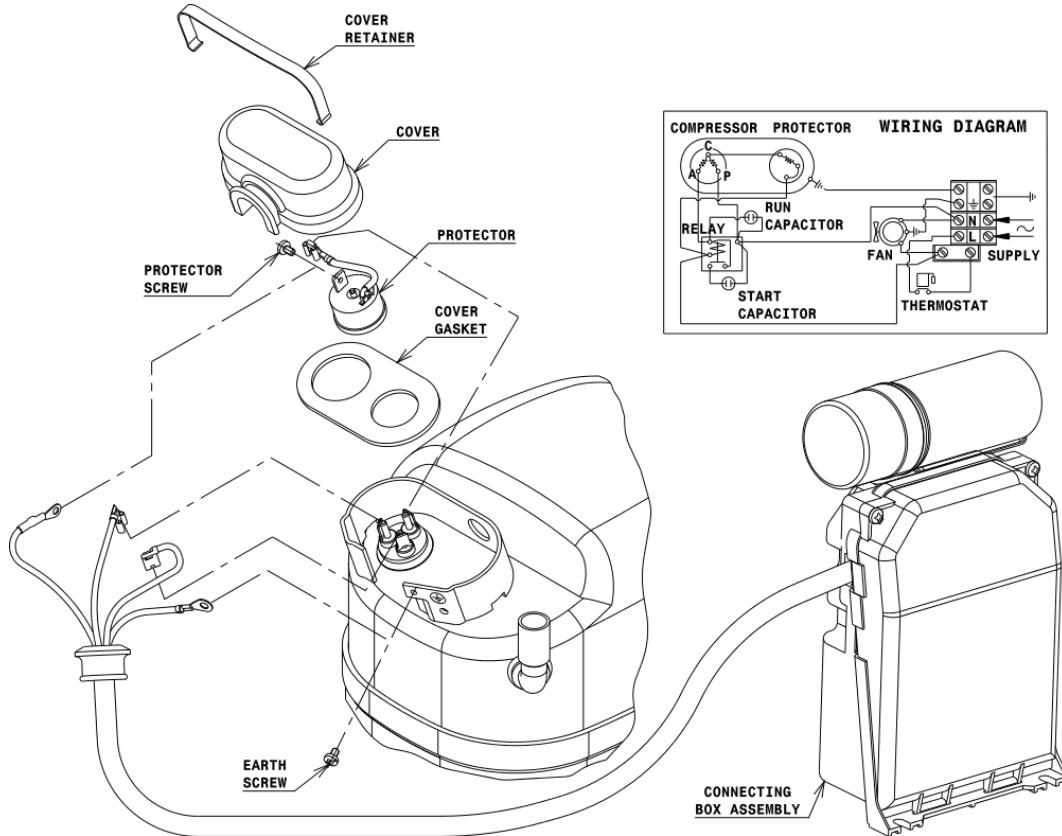


## DESIGNATION INTERNAL DIAM.

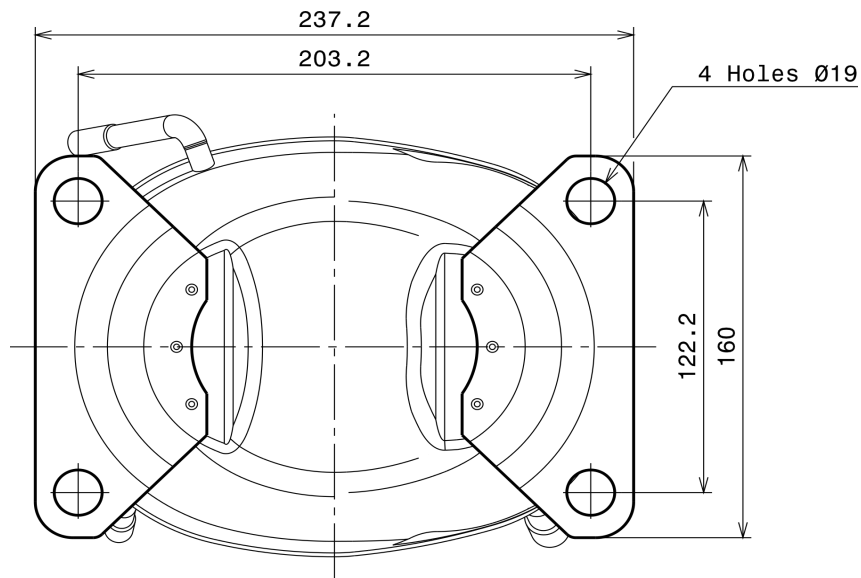
1	Service Valve	5/8" SAE
2	Service	9,7 mm
3	Discharge	8,0 mm

## WIRING DIAGRAMS AND ELECTRICAL ASSEMBLY

### CSR CONNECTION (EXTERNAL CONNECTING BOX) (S range)



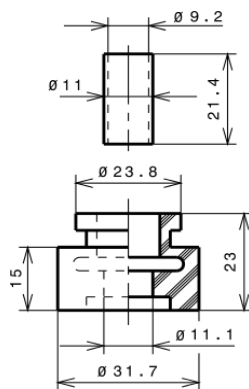
## FIXINGS



## SILENT BLOCKS (MOUNTING ACCESSORIES)

### STANDARD

$\varnothing 19$  holes (203.2x122.2 net)



## SOA

SOA R22 HMBP

