

Technical Data Sheet

Compressor model **NUT60LRb**
 Voltage **115-127V 60Hz ~1**
 Refrigerant **R290**

APPLICATION

Application	Low Back Pressure
Refrigerant	R290
Evaporating Temp.	-40,0 °C to -10,0 °C
Expansion	Capillar/Valve
Comp. Cooling	Fan cooled
Max. ambient temp.	43,0 °C

COMPRESSOR

Displacement	6,00 cm ³
Diameter	21,99 mm
Stroke	16,00 mm
Net Weight	9,50 Kg
Oil type	ISO VG 10 ESTER
Oil charge	200 cm ³

MOTOR

Nominal Power	1/3 hp
Voltage/Frequency	115-127V 60Hz
Voltage range	98-140 V
Type	CSR
Phase number	1 PH
Locked Rotor Amps (LRA)	21,00 A
Max. Cont. Current (MCC)	4,10 A
Main W. resist. at 25°C	2,65 Ω
Start W. resist. at 25°C	4,26 Ω

NOMINAL PERFORMANCE

	ASHRAE	CECOMAF
Cooling Capacity	315 kCal/h	273 W
COP	1,73 W/W	1,34 W/W
EER	1,49 kCal/Wh	1,16 kCal/Wh
Input Power	212 W	204 W
Current	2,00 A	1,93 A

APPROVALS



TEST CYCLE CONDITIONS

	ASHRAE LBP (B)	CECOMAF LBP (A)
Evaporating temp. (T _e)	-23,3 °C	-25,0 °C
Condensing temp. (T _c)	55,0 °C	55,0 °C
Liquid temp. (T _{liq.})	32,0 °C	55,0 °C
Ambient temp. (T _{amb.})	32,0 °C	32,0 °C
Suction temp. (T _{suction})	32,0 °C	32,0 °C
Voltage/Frequency	115 V 60 Hz	115 V 60 Hz

ELECTRICAL COMPONENTS

Starting capacitor	200 µF 160 V			
Run capacitor	15 µF 250 V			
Relay	Option 1			
Reference	2014 158. + NTC3Ω			
Pick-Up	9,05 A			
Drop-Out	7,70 A			
Protector	Option 1			
Reference	T0267			
Current	11,00 A			
Time check	7,5-14 seg			
Disc temp. (Open/Close)	105,00 / 52,00 °C			

This product is approved for R290 and R600a regarding explosion safety according to standard EN 60335-1 and EN 60335-2-34

ASHRAE

Tc °C	Te °C	Cooling Capacity kCal/h	Consumption W	Current A	COP W/W	EER kCal/Wh
40	-40	145	143	1,43	1,18	1,02
40	-35	192	157	1,54	1,42	1,22
40	-30	250	173	1,67	1,68	1,44
40	-25	318	189	1,81	1,95	1,68
40	-23,3	343	195	1,85	2,05	1,76
40	-20	397	206	1,95	2,24	1,92
40	-15	486	224	2,10	2,52	2,17
40	-10	586	243	2,26	2,81	2,42

45	-40	140	141	1,41	1,15	0,99
45	-35	186	158	1,55	1,37	1,18
45	-30	242	176	1,69	1,60	1,38
45	-25	309	194	1,85	1,85	1,59
45	-23,3	334	201	1,90	1,94	1,67
45	-20	386	213	2,01	2,11	1,81
45	-15	474	233	2,18	2,36	2,03
45	-10	573	254	2,36	2,62	2,26

50	-40	135	140	1,40	1,13	0,97
50	-35	179	159	1,56	1,31	1,13
50	-30	234	178	1,72	1,53	1,31
50	-25	300	199	1,89	1,75	1,51
50	-23,3	324	206	1,95	1,83	1,57
50	-20	376	220	2,07	1,98	1,71
50	-15	463	243	2,26	2,22	1,91
50	-10	560	266	2,47	2,45	2,11

55	-40	130	138	1,39	1,10	0,94
55	-35	173	159	1,56	1,26	1,09
55	-30	227	181	1,74	1,45	1,25
55	-25	291	204	1,93	1,66	1,42
55	-23,3	315	212	2,00	1,73	1,49
55	-20	366	228	2,13	1,87	1,61
55	-15	451	252	2,35	2,08	1,79
55	-10	547	277	2,57	2,30	1,97

60	-40	125	137	1,38	1,07	0,92
60	-35	167	160	1,57	1,21	1,04
60	-30	219	184	1,77	1,38	1,19
60	-25	282	209	1,98	1,57	1,35
60	-23,3	306	218	2,05	1,63	1,40
60	-20	355	235	2,20	1,76	1,51
60	-15	439	261	2,43	1,96	1,68
60	-10	534	289	2,67	2,15	1,85

CECOMAF

Tc °C	Te °C	Cooling Capacity W	Consumption W	Current A	COP W/W	EER kCal/Wh
40	-40	157	143	1,43	1,10	0,95
40	-35	213	157	1,54	1,35	1,17
40	-30	278	173	1,67	1,61	1,39
40	-25	353	189	1,81	1,87	1,61
40	-23,3	380	195	1,85	1,95	1,69
40	-20	437	206	1,95	2,12	1,83
40	-15	532	224	2,10	2,38	2,05
40	-10	636	243	2,26	2,62	2,27

45	-40	146	141	1,41	1,03	0,89
45	-35	196	158	1,55	1,24	1,07
45	-30	256	176	1,69	1,46	1,26
45	-25	326	194	1,85	1,68	1,45
45	-23,3	352	201	1,90	1,76	1,52
45	-20	406	213	2,01	1,90	1,64
45	-15	496	233	2,18	2,13	1,84
45	-10	595	254	2,36	2,34	2,02

50	-40	134	140	1,40	0,96	0,83
50	-35	180	159	1,56	1,13	0,98
50	-30	235	178	1,72	1,32	1,14
50	-25	300	199	1,89	1,51	1,30
50	-23,3	324	206	1,95	1,57	1,36
50	-20	375	220	2,07	1,70	1,47
50	-15	460	243	2,26	1,89	1,64
50	-10	554	266	2,47	2,09	1,80

55	-40	122	138	1,39	0,89	0,77
55	-35	163	159	1,56	1,02	0,88
55	-30	213	181	1,74	1,18	1,02
55	-25	273	204	1,93	1,34	1,16
55	-23,3	296	212	2,00	1,40	1,21
55	-20	343	228	2,13	1,51	1,30
55	-15	423	252	2,35	1,68	1,45
55	-10	513	277	2,57	1,85	1,60

60	-40	111	137	1,38	0,81	0,70
60	-35	146	160	1,57	0,92	0,79
60	-30	192	184	1,77	1,04	0,90
60	-25	247	209	1,98	1,18	1,02
60	-23,3	268	218	2,05	1,23	1,06
60	-20	312	235	2,20	1,33	1,15
60	-15	387	261	2,43	1,48	1,28
60	-10	472	289	2,67	1,64	1,41

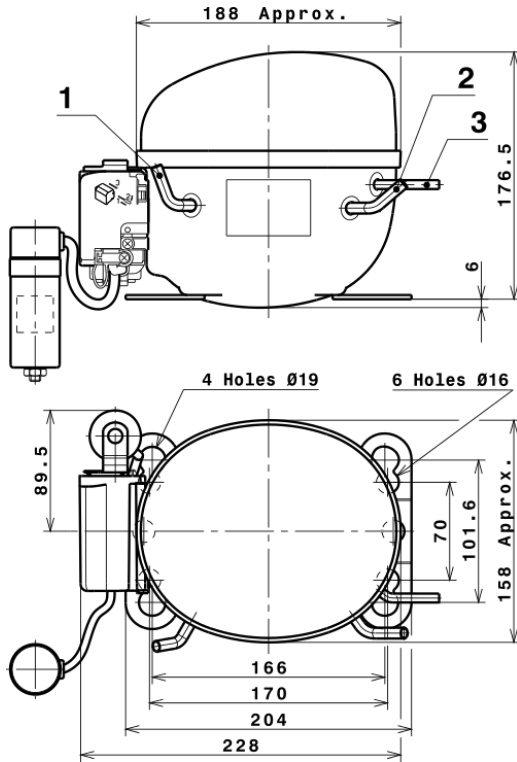
EN12900

X	Cooling Capacity (W)	Consumption (W)	Current (A)	Mass Flow (kg/h)
1	1.277,5512520033	159,5813774685	1,5319512836	11,89891868514
2	33,3961359145	0,7004241998	0,0086481967	0,35384035910473
3	-10,4697462872	3,2446316821	0,0290295791	-0,039466276497473
4	0,1918875299	0,0164273143	0,0002266515	0,002822146709913
5	-0,2026958921	0,0887783218	0,0007870202	-0,00068067072473995

Equation	$x_1 + x_2Te + x_3Tc + x_4Te^2 + x_5TeTc$
----------	---

Technical Data Sheet

COMPRESSOR DIMENSIONS

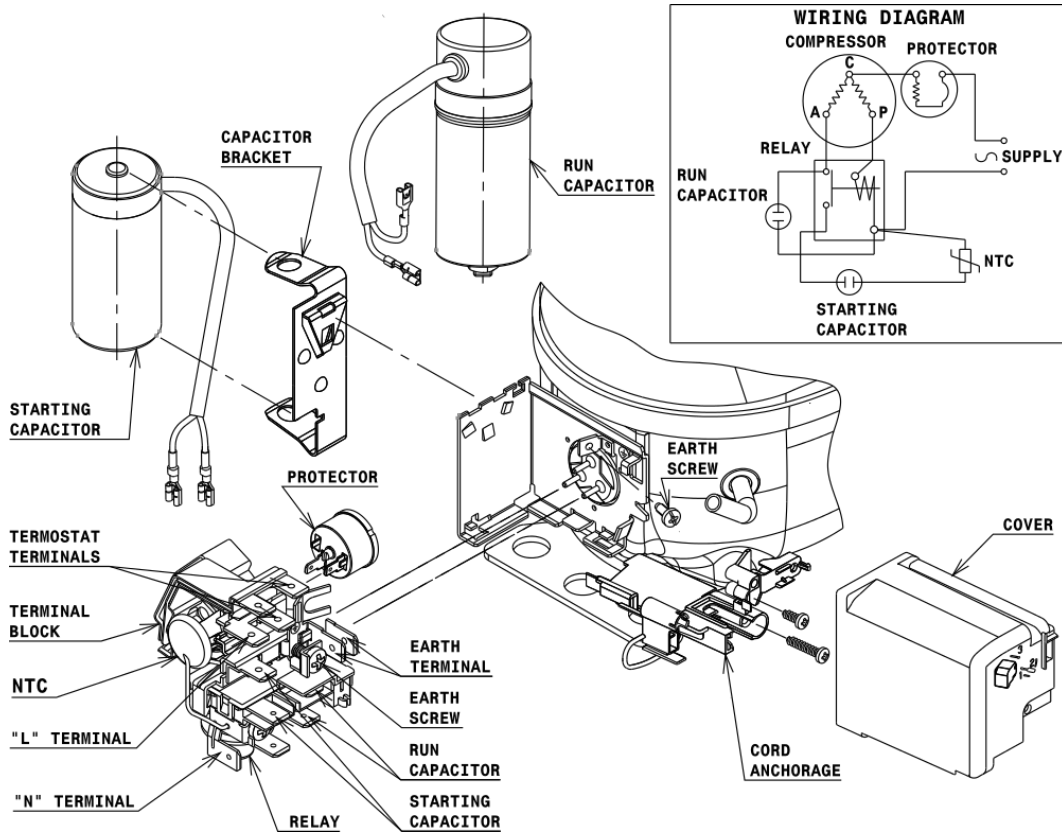


DESIGNATION INTERNAL DIAM.

DESIGNATION	INTERNAL DIAM.
1 Service	6,2 mm
2 Suction	6,2 mm
3 Discharge	4,9 mm

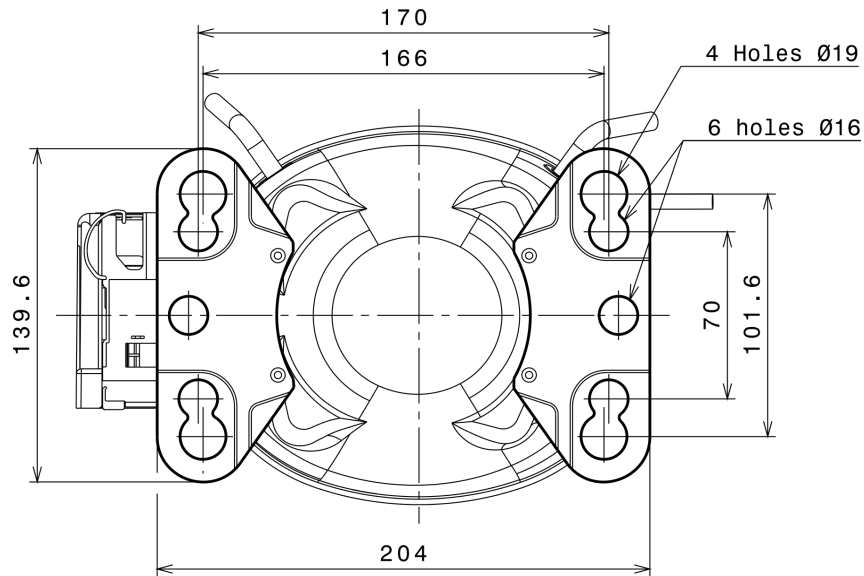
WIRING DIAGRAMS AND ELECTRICAL ASSEMBLY

CSR CONNECTION (CURRENT RELAY + NTC) (U range)



Technical Data Sheet

FIXINGS



SILENT BLOCKS (MOUNTING ACCESSORIES)

STANDARD

Ø16 holes (170x70 net)



AMERICAN FEET

Ø19 holes (166x101.6 net)



SNAP-ON

Ø16 holes (170x70 net)



SOA

SOA R290 LBP

