

Technical Data Sheet

Compressor model **NUT60CAc**
 Voltage **220-240V 50Hz ~1**
 Refrigerant **R290**

APPLICATION

Application Low Back Pressure
 Refrigerant R290
 Evaporating Temp. -40,0 °C to -10,0 °C
 Expansion Capillar
 Comp. Cooling Static
 Max. ambient temp. 43,0 °C

COMPRESSOR

Displacement 6,00 cm³
 Diameter 21,99 mm
 Stroke 16,00 mm
 Net Weight 9,20 Kg
 Oil type ISO VG 10 ESTER
 Oil charge 200 cm³

MOTOR

Nominal Power 1/4 hp
 Voltage/Frequency 220-240V 50Hz
 Voltage range 187-255 V
 Type RSIR
 Phase number 1 PH
 Locked Rotor Amps (LRA) 7,30 A
 Max. Cont. Current (MCC) 1,60 A
 Main W. resist. at 25°C 13,25 Ω
 Start W. resist. at 25°C 15,70 Ω

NOMINAL PERFORMANCE

	ASHRAE	CECOMAF
Cooling Capacity	261 kCal/h	226 W
COP	1,68 W/W	1,30 W/W
EER	1,44 kCal/Wh	1,12 kCal/Wh
Input Power	181 W	174 W
Current	1,13 A	1,10 A

APPROVALS



TEST CYCLE CONDITIONS

	ASHRAE LBP (B)	CECOMAF LBP (A)
Evaporating temp. (T _e)	-23,3 °C	-25,0 °C
Condensing temp. (T _c)	55,0 °C	55,0 °C
Liquid temp. (T _{liq.})	32,0 °C	55,0 °C
Ambient temp. (T _{amb.})	32,0 °C	32,0 °C
Suction temp. (T _{suction})	32,0 °C	32,0 °C
Voltage/Frequency	220 V 50 Hz	220 V 50 Hz

ELECTRICAL COMPONENTS

Relay	Option 1			
Reference	PTC K100			
Voltage	200-240 V			
Resistance	14.00 Ω			
Protector	Option 1	Option 2		
Reference	T0490	AE11FU		
Current	9,40 A	9,40 A		
Time check	7,5-14 seg	7,5-14 seg		
Disc temp. (Open/Close)	130,00 / 62,00 °C	120,00 / 62,00 °C		

This product is approved for R290 and R600a regarding explosion safety according to standard EN 60335-1 and EN 60335-2-34

ASHRAE

Tc °C	Te °C	Cooling Capacity kCal/h	Consumption W	Current A	COP W/W	EER kCal/Wh
40	-40	119	110	0,90	1,26	1,09
40	-35	157	124	0,94	1,47	1,27
40	-30	205	139	0,99	1,72	1,48
40	-25	263	155	1,04	1,98	1,70
40	-23,3	285	160	1,06	2,07	1,78
40	-20	330	170	1,09	2,26	1,94
40	-15	407	186	1,15	2,54	2,18
40	-10	493	203	1,21	2,83	2,43

45	-40	115	111	0,90	1,20	1,04
45	-35	152	127	0,95	1,39	1,20
45	-30	199	144	1,00	1,61	1,38
45	-25	255	161	1,06	1,85	1,59
45	-23,3	277	167	1,08	1,93	1,66
45	-20	321	178	1,12	2,10	1,80
45	-15	397	196	1,19	2,36	2,03
45	-10	482	214	1,26	2,62	2,25

50	-40	111	113	0,91	1,15	0,99
50	-35	147	131	0,96	1,31	1,13
50	-30	193	149	1,02	1,51	1,29
50	-25	248	168	1,08	1,72	1,48
50	-23,3	269	174	1,10	1,80	1,55
50	-20	313	187	1,15	1,95	1,68
50	-15	387	206	1,22	2,19	1,88
50	-10	471	226	1,30	2,43	2,09

55	-40	107	114	0,91	1,09	0,94
55	-35	142	134	0,97	1,23	1,06
55	-30	186	154	1,03	1,41	1,21
55	-25	240	174	1,10	1,61	1,38
55	-23,3	261	181	1,13	1,68	1,44
55	-20	304	195	1,18	1,82	1,56
55	-15	377	216	1,26	2,03	1,75
55	-10	460	237	1,35	2,26	1,94

60	-40	103	116	0,91	1,04	0,89
60	-35	137	137	0,98	1,16	1,00
60	-30	180	159	1,05	1,32	1,14
60	-25	233	181	1,13	1,50	1,29
60	-23,3	253	188	1,16	1,57	1,35
60	-20	295	203	1,21	1,69	1,46
60	-15	367	226	1,30	1,89	1,63
60	-10	449	249	1,40	2,10	1,81

CECOMAF

Tc °C	Te °C	Cooling Capacity W	Consumption W	Current A	COP W/W	EER kCal/Wh
40	-40	129	110	0,90	1,18	1,02
40	-35	175	124	0,94	1,41	1,22
40	-30	229	139	0,99	1,65	1,42
40	-25	292	155	1,04	1,89	1,63
40	-23,3	316	160	1,06	1,98	1,71
40	-20	364	170	1,09	2,14	1,85
40	-15	445	186	1,15	2,39	2,07
40	-10	535	203	1,21	2,64	2,28

45	-40	120	111	0,90	1,08	0,93
45	-35	161	127	0,95	1,26	1,09
45	-30	211	144	1,00	1,47	1,27
45	-25	270	161	1,06	1,68	1,45
45	-23,3	292	167	1,08	1,75	1,51
45	-20	338	178	1,12	1,90	1,64
45	-15	415	196	1,19	2,12	1,83
45	-10	501	214	1,26	2,34	2,02

50	-40	110	113	0,91	0,98	0,85
50	-35	147	131	0,96	1,13	0,98
50	-30	193	149	1,02	1,30	1,12
50	-25	248	168	1,08	1,48	1,28
50	-23,3	269	174	1,10	1,55	1,34
50	-20	312	187	1,15	1,67	1,45
50	-15	385	206	1,22	1,87	1,61
50	-10	466	226	1,30	2,07	1,79

55	-40	101	114	0,91	0,88	0,76
55	-35	134	134	0,97	1,00	0,86
55	-30	175	154	1,03	1,14	0,99
55	-25	226	174	1,10	1,30	1,12
55	-23,3	245	181	1,13	1,36	1,17
55	-20	286	195	1,18	1,47	1,27
55	-15	354	216	1,26	1,64	1,42
55	-10	431	237	1,35	1,82	1,57

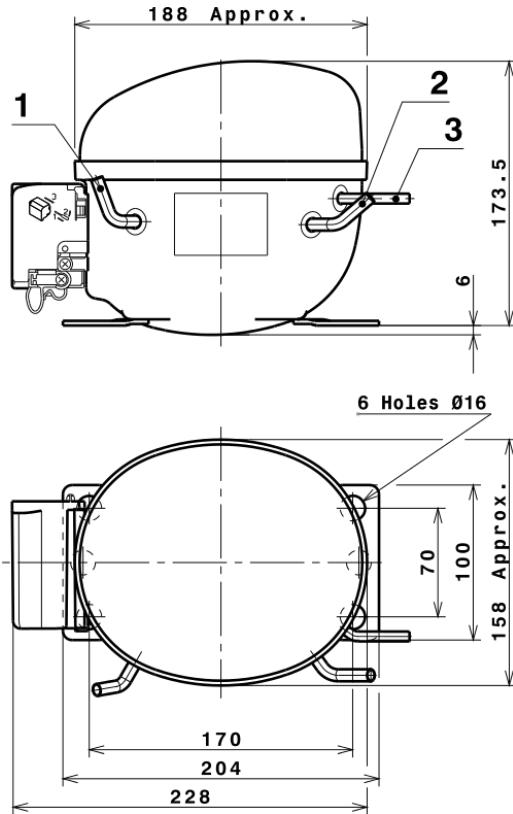
60	-40	91	116	0,91	0,79	0,68
60	-35	120	137	0,98	0,88	0,76
60	-30	158	159	1,05	0,99	0,86
60	-25	204	181	1,13	1,13	0,98
60	-23,3	222	188	1,16	1,18	1,02
60	-20	259	203	1,21	1,28	1,10
60	-15	324	226	1,30	1,44	1,24
60	-10	397	249	1,40	1,60	1,38

EN12900

X	Cooling Capacity (W)	Consumption (W)	Current (A)	Mass Flow (kg/h)
1	1.081,9931792300	120,7825970067	0,8733168527	10,101486595195
2	28,8902342708	0,8304389519	0,0049743408	0,30773984802874
3	-8,8447862037	3,0402975560	0,0127722933	-0,033581870362887
4	0,1731533495	0,0075299047	0,0001208352	0,0025333544078567
5	-0,1731057799	0,0683449092	0,0002967635	-0,00059474314380967

Equation	$x_1 + x_2Te + x_3Tc + x_4Te^2 + x_5TeTc$
----------	---

COMPRESSOR DIMENSIONS

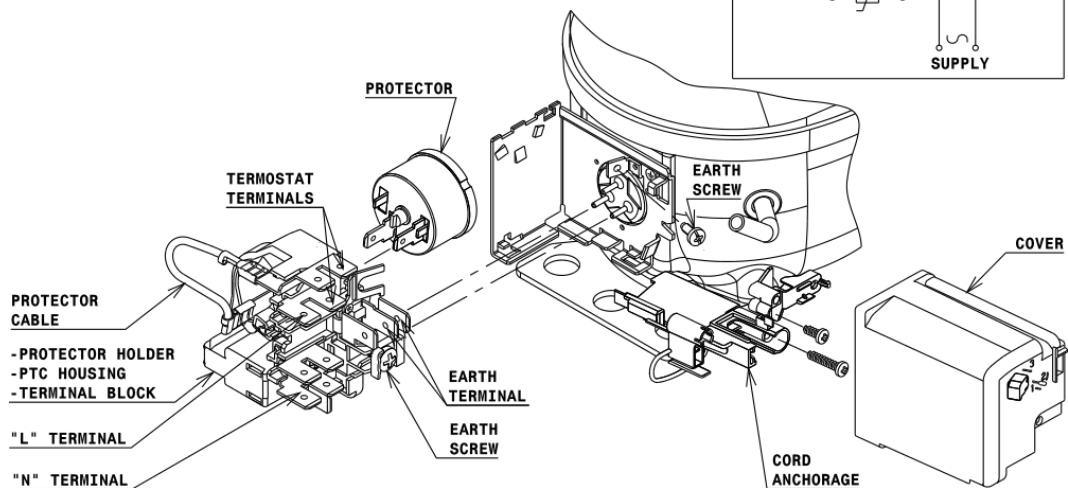
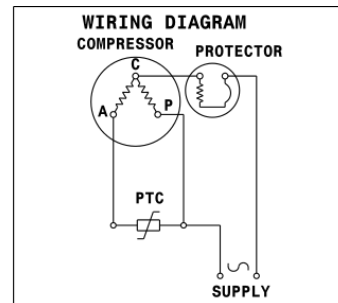


DESIGNATION INTERNAL DIAM.

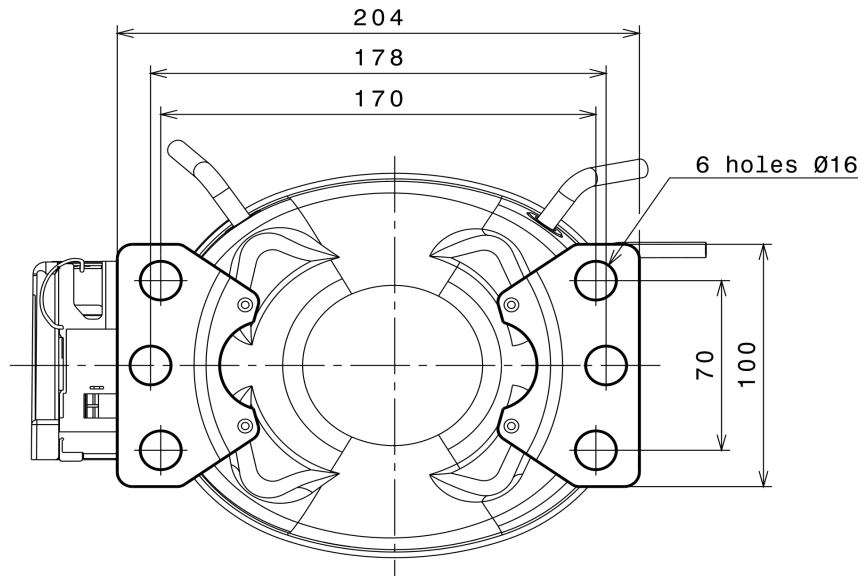
DESIGNATION	INTERNAL DIAM.
1 Service	6,2 mm
2 Suction	6,2 mm
3 Discharge	4,9 mm

WIRING DIAGRAMS AND ELECTRICAL ASSEMBLY

RSIR CONNECTION (PTC) (U range)



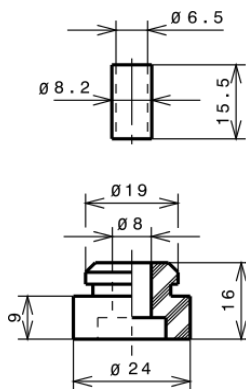
FIXINGS



SILENT BLOCKS (MOUNTING ACCESSORIES)

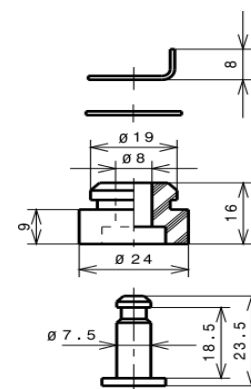
STANDARD

Ø16 holes (170x70 net)



SNAP-ON

Ø16 holes (170x70 net)



SOA

SOA R290 LBP

