

Technical Data Sheet

Compressor model **NUT60CAb**
 Voltage **220-240V 50Hz ~1**
 Refrigerant **R290**

APPLICATION

Application Low Back Pressure
 Refrigerant R290
 Evaporating Temp. -40,0 °C to -10,0 °C
 Expansion Capillar
 Comp. Cooling Fan cooled
 Max. ambient temp. 43,0 °C

COMPRESSOR

Displacement 6,00 cm³
 Diameter 21,99 mm
 Stroke 16,00 mm
 Net Weight 9,31 Kg
 Oil type ISO VG 10 ESTER
 Oil charge 200 cm³

MOTOR

Nominal Power 1/4 hp
 Voltage/Frequency 220-240V 50Hz
 Voltage range 187-255 V
 Type RSCR
 Phase number 1 PH
 Locked Rotor Amps (LRA) 7,10 A
 Max. Cont. Current (MCC) 1,60 A
 Main W. resist. at 25°C 13,25 Ω
 Start W. resist. at 25°C 15,70 Ω

NOMINAL PERFORMANCE

	ASHRAE	CECOMAF
Cooling Capacity	261 kCal/h	226 W
COP	1,82 W/W	1,41 W/W
EER	1,56 kCal/Wh	1,22 kCal/Wh
Input Power	167 W	161 W
Current	0,84 A	0,81 A

APPROVALS



TEST CYCLE CONDITIONS

	ASHRAE LBP (B)	CECOMAF LBP (A)
Evaporating temp. (T _e)	-23,3 °C	-25,0 °C
Condensing temp. (T _c)	55,0 °C	55,0 °C
Liquid temp. (T _{liq.})	32,0 °C	55,0 °C
Ambient temp. (T _{amb.})	32,0 °C	32,0 °C
Suction temp. (T _{suction})	32,0 °C	32,0 °C
Voltage/Frequency	220 V 50 Hz	220 V 50 Hz

ELECTRICAL COMPONENTS

Run capacitor	5 µF 400 V		
Relay	Option 1		
Reference	PTC K100		
Voltage	200-240 V		
Resistance	14.00 Ω		
Protector	Option 1	Option 2	Option 3
Reference	T0508	AE18FU	B65-135
Current	6,50 A	6,30 A	6,50 A
Time check	7,5-14 seg	7,5-14 seg	7,5-16 seg
Disc temp. (Open/Close)	135,00 / 62,00 °C	120,00 / 62,00 °C	135,00 / 62,00 °C

This product is approved for R290 and R600a regarding explosion safety according to standard EN 60335-1 and EN 60335-2-34

ASHRAE

Tc °C	Te °C	Cooling Capacity kCal/h	Consumption W	Current A	COP W/W	EER kCal/Wh
40	-40	119	112	0,61	1,24	1,06
40	-35	157	125	0,66	1,47	1,26
40	-30	205	138	0,71	1,73	1,49
40	-25	263	151	0,77	2,03	1,74
40	-23,3	285	155	0,79	2,13	1,83
40	-20	330	164	0,83	2,34	2,01
40	-15	407	178	0,89	2,66	2,29
40	-10	493	192	0,95	2,99	2,57

45	-40	115	110	0,60	1,22	1,05
45	-35	152	125	0,66	1,42	1,22
45	-30	199	139	0,72	1,66	1,43
45	-25	255	154	0,78	1,93	1,66
45	-23,3	277	159	0,81	2,02	1,74
45	-20	321	169	0,85	2,21	1,90
45	-15	397	185	0,92	2,50	2,15
45	-10	482	200	0,98	2,80	2,41

50	-40	111	108	0,59	1,20	1,03
50	-35	147	124	0,66	1,38	1,18
50	-30	193	141	0,73	1,59	1,37
50	-25	248	157	0,80	1,83	1,57
50	-23,3	269	163	0,82	1,92	1,65
50	-20	313	174	0,87	2,09	1,79
50	-15	387	191	0,95	2,35	2,02
50	-10	471	209	1,02	2,63	2,26

55	-40	107	106	0,58	1,17	1,01
55	-35	142	124	0,66	1,33	1,14
55	-30	186	142	0,73	1,52	1,31
55	-25	240	161	0,81	1,74	1,50
55	-23,3	261	167	0,84	1,82	1,56
55	-20	304	179	0,89	1,97	1,70
55	-15	377	198	0,98	2,22	1,90
55	-10	460	217	1,06	2,47	2,12

60	-40	103	104	0,57	1,15	0,99
60	-35	137	124	0,65	1,28	1,10
60	-30	180	144	0,74	1,46	1,25
60	-25	233	164	0,83	1,65	1,42
60	-23,3	253	171	0,86	1,72	1,48
60	-20	295	184	0,92	1,86	1,60
60	-15	367	205	1,01	2,09	1,79
60	-10	449	226	1,10	2,32	1,99

CECOMAF

Tc °C	Te °C	Cooling Capacity W	Consumption W	Current A	COP W/W	EER kCal/Wh
40	-40	129	112	0,61	1,15	1,00
40	-35	175	125	0,66	1,40	1,21
40	-30	229	138	0,71	1,66	1,44
40	-25	292	151	0,77	1,94	1,67
40	-23,3	316	155	0,79	2,03	1,76
40	-20	364	164	0,83	2,22	1,92
40	-15	445	178	0,89	2,51	2,16
40	-10	535	192	0,95	2,80	2,42

45	-40	120	110	0,60	1,09	0,94
45	-35	161	125	0,66	1,29	1,12
45	-30	211	139	0,72	1,52	1,31
45	-25	270	154	0,78	1,75	1,51
45	-23,3	292	159	0,81	1,84	1,59
45	-20	338	169	0,85	2,00	1,73
45	-15	415	185	0,92	2,25	1,94
45	-10	501	200	0,98	2,50	2,16

50	-40	110	108	0,59	1,02	0,88
50	-35	147	124	0,66	1,19	1,02
50	-30	193	141	0,73	1,37	1,19
50	-25	248	157	0,80	1,58	1,36
50	-23,3	269	163	0,82	1,65	1,42
50	-20	312	174	0,87	1,79	1,55
50	-15	385	191	0,95	2,01	1,74
50	-10	466	209	1,02	2,24	1,93

55	-40	101	106	0,58	0,95	0,82
55	-35	134	124	0,66	1,08	0,93
55	-30	175	142	0,73	1,23	1,07
55	-25	226	161	0,81	1,41	1,22
55	-23,3	245	167	0,84	1,47	1,27
55	-20	286	179	0,89	1,59	1,38
55	-15	354	198	0,98	1,79	1,54
55	-10	431	217	1,06	1,99	1,72

60	-40	91	104	0,57	0,88	0,76
60	-35	120	124	0,65	0,97	0,84
60	-30	158	144	0,74	1,10	0,95
60	-25	204	164	0,83	1,24	1,08
60	-23,3	222	171	0,86	1,30	1,12
60	-20	259	184	0,92	1,41	1,22
60	-15	324	205	1,01	1,58	1,37
60	-10	397	226	1,10	1,76	1,52

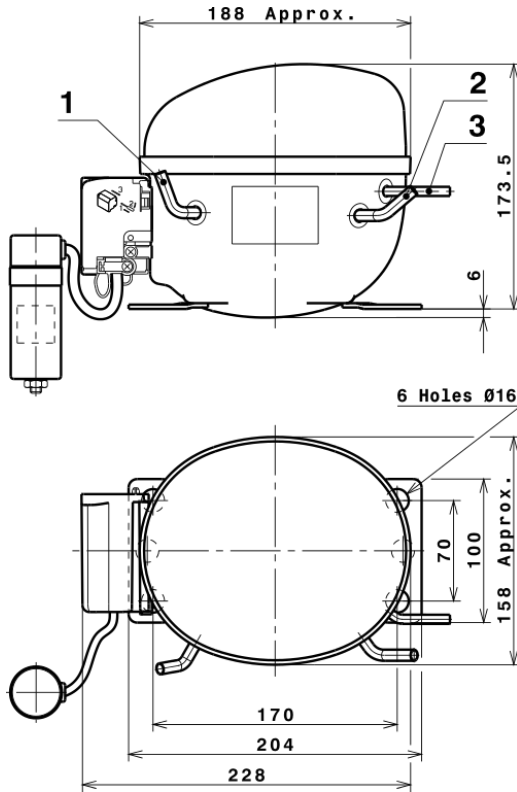
EN12900

X	Cooling Capacity (W)	Consumption (W)	Current (A)	Mass Flow (kg/h)
1	1.081,9931792300	126,8773513300	0,6630524475	10,101486595195
2	28,8902342708	0,0757822066	0,0009476932	0,30773984802874
3	-8,8447862037	2,4589139909	0,0109164099	-0,033581870362887
4	0,1731533495	0,0043298610	0,0000367641	0,0025333544078567
5	-0,1731057799	0,0716895561	0,0003157937	-0,00059474314380967

Equation	$x_1 + x_2Te + x_3Tc + x_4Te^2 + x_5TeTc$
----------	---

Technical Data Sheet

COMPRESSOR DIMENSIONS

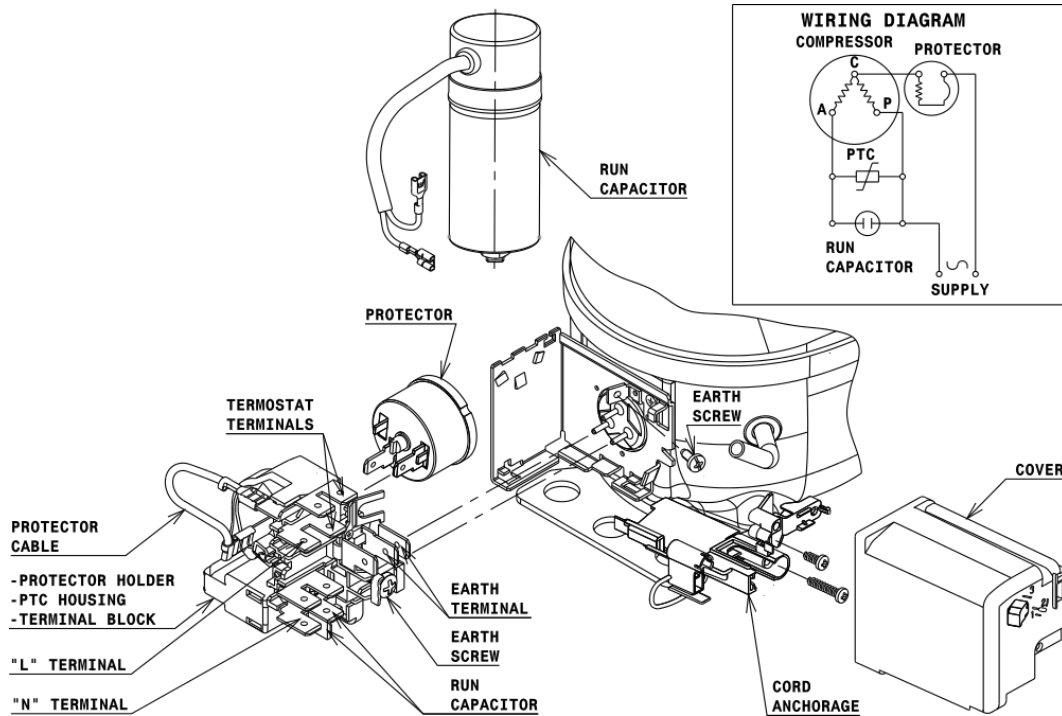


DESIGNATION INTERNAL DIAM.

DESIGNATION	INTERNAL DIAM.
1 Service	6,2 mm
2 Suction	6,2 mm
3 Discharge	4,9 mm

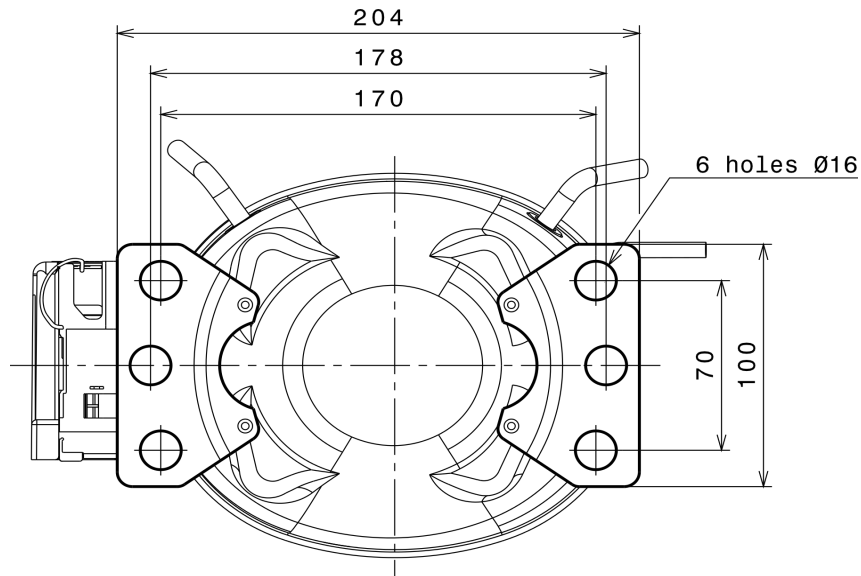
WIRING DIAGRAMS AND ELECTRICAL ASSEMBLY

RSCR CONNECTION (U range)



Technical Data Sheet

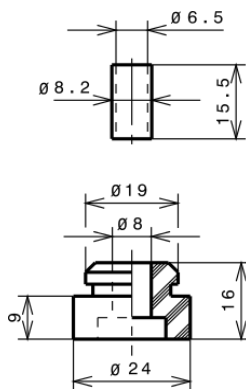
FIXINGS



SILENT BLOCKS (MOUNTING ACCESSORIES)

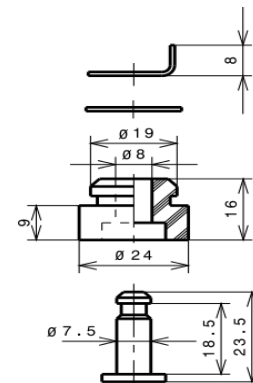
STANDARD

$\varnothing 16$ holes (170x70 net)



SNAP-ON

$\varnothing 16$ holes (170x70 net)



SOA

SOA R290 LBP

