

Technical Data Sheet

Compressor model **NUT55LRb**
 Voltage **115-127V 60Hz ~1**
 Refrigerant **R290**

APPLICATION

Application	Low Back Pressure
Refrigerant	R290
Evaporating Temp.	-40,0 °C to -10,0 °C
Expansion	Capillar/Valve
Comp. Cooling	Fan cooled
Max. ambient temp.	43,0 °C

COMPRESSOR

Displacement	5,50 cm ³
Diameter	21,99 mm
Stroke	14,50 mm
Net Weight	9,54 Kg
Oil type	ISO VG 15 ESTER
Oil charge	200 cm ³

MOTOR

Nominal Power	1/5 hp
Voltage/Frequency	115-127V 60Hz
Voltage range	98-140 V
Type	CSR
Phase number	1 PH
Locked Rotor Amps (LRA)	20,00 A
Max. Cont. Current (MCC)	3,50 A
Main W. resist. at 25°C	3,70 Ω
Start W. resist. at 25°C	3,45 Ω

NOMINAL PERFORMANCE

	ASHRAE	CECOMAF
Cooling Capacity	285 kCal/h	247 W
COP	1,73 W/W	1,34 W/W
EER	1,48 kCal/Wh	1,16 kCal/Wh
Input Power	192 W	185 W
Current	1,78 A	1,72 A

APPROVALS



TEST CYCLE CONDITIONS

	ASHRAE LBP (B)	CECOMAF LBP (A)
Evaporating temp. (T _e)	-23,3 °C	-25,0 °C
Condensing temp. (T _c)	55,0 °C	55,0 °C
Liquid temp. (T _{liq.})	32,0 °C	55,0 °C
Ambient temp. (T _{amb.})	32,0 °C	32,0 °C
Suction temp. (T _{suction})	32,0 °C	32,0 °C
Voltage/Frequency	115 V 60 Hz	115 V 60 Hz

ELECTRICAL COMPONENTS

Starting capacitor	250 µF 160 V		
Run capacitor	15 µF 250 V		
Relay	Option 1	Option 2	
Reference	2014 149. + NTC3Ω	QLZ-7.8A+NTC 3	
Pick-Up	7.80 A	A	
Drop-Out	6.65 A	A	
Protector	Option 1	Option 2	
Reference	T1086	B135-115	
Current	13,50 A		
Time check	6,0-16 seg	seg	
Disc temp. (Open/Close)	105,00 / 52,00 °C		

This product is approved for R290 and R600a regarding explosion safety according to standard EN 60335-1 and EN 60335-2-34

ASHRAE

Tc °C	Te °C	Cooling Capacity kCal/h	Consumption W	Current A	COP W/W	EER kCal/Wh
40	-40	137	121	1,19	1,31	1,13
40	-35	179	135	1,30	1,54	1,32
40	-30	230	150	1,42	1,78	1,53
40	-25	291	166	1,56	2,04	1,75
40	-23,3	314	171	1,60	2,13	1,83
40	-20	361	183	1,70	2,30	1,98
40	-15	441	201	1,85	2,56	2,20
40	-10	530	220	2,02	2,81	2,41

45	-40	130	122	1,19	1,24	1,07
45	-35	171	138	1,32	1,45	1,24
45	-30	222	154	1,46	1,67	1,44
45	-25	282	172	1,61	1,90	1,64
45	-23,3	304	178	1,66	1,98	1,71
45	-20	351	191	1,77	2,14	1,84
45	-15	430	210	1,94	2,38	2,04
45	-10	518	231	2,12	2,61	2,24

50	-40	124	123	1,20	1,17	1,00
50	-35	164	140	1,34	1,36	1,17
50	-30	213	159	1,50	1,56	1,34
50	-25	272	178	1,66	1,78	1,53
50	-23,3	295	185	1,72	1,85	1,59
50	-20	341	199	1,84	1,99	1,71
50	-15	419	220	2,03	2,21	1,90
50	-10	506	243	2,23	2,43	2,09

55	-40	117	124	1,21	1,10	0,94
55	-35	156	143	1,37	1,27	1,09
55	-30	205	163	1,54	1,46	1,25
55	-25	263	185	1,72	1,66	1,43
55	-23,3	285	192	1,78	1,73	1,48
55	-20	331	207	1,91	1,86	1,60
55	-15	408	230	2,11	2,06	1,77
55	-10	494	254	2,33	2,26	1,94

60	-40	111	125	1,22	1,03	0,88
60	-35	149	146	1,39	1,19	1,02
60	-30	197	168	1,57	1,36	1,17
60	-25	254	191	1,77	1,55	1,33
60	-23,3	275	199	1,84	1,61	1,39
60	-20	320	215	1,98	1,74	1,49
60	-15	397	240	2,20	1,92	1,65
60	-10	482	266	2,44	2,11	1,82

CECOMAF

Tc °C	Te °C	Cooling Capacity W	Consumption W	Current A	COP W/W	EER kCal/Wh
40	-40	148	121	1,19	1,22	1,06
40	-35	197	135	1,30	1,46	1,26
40	-30	256	150	1,42	1,70	1,47
40	-25	322	166	1,56	1,94	1,68
40	-23,3	347	171	1,60	2,02	1,75
40	-20	398	183	1,70	2,18	1,88
40	-15	482	201	1,85	2,40	2,08
40	-10	576	220	2,02	2,62	2,27

45	-40	135	122	1,19	1,11	0,96
45	-35	181	138	1,32	1,31	1,13
45	-30	235	154	1,46	1,52	1,31
45	-25	297	172	1,61	1,73	1,49
45	-23,3	321	178	1,66	1,80	1,55
45	-20	369	191	1,77	1,93	1,67
45	-15	449	210	1,94	2,14	1,84
45	-10	538	231	2,12	2,33	2,01

50	-40	123	123	1,20	1,00	0,86
50	-35	164	140	1,34	1,17	1,01
50	-30	214	159	1,50	1,35	1,16
50	-25	272	178	1,66	1,53	1,32
50	-23,3	294	185	1,72	1,59	1,37
50	-20	340	199	1,84	1,71	1,48
50	-15	416	220	2,03	1,89	1,63
50	-10	501	243	2,23	2,06	1,78

55	-40	110	124	1,21	0,89	0,77
55	-35	147	143	1,37	1,03	0,89
55	-30	193	163	1,54	1,18	1,02
55	-25	247	185	1,72	1,34	1,16
55	-23,3	268	192	1,78	1,40	1,21
55	-20	311	207	1,91	1,50	1,30
55	-15	383	230	2,11	1,66	1,44
55	-10	463	254	2,33	1,82	1,58

60	-40	98	125	1,22	0,78	0,67
60	-35	131	146	1,39	0,89	0,77
60	-30	172	168	1,57	1,03	0,89
60	-25	222	191	1,77	1,17	1,01
60	-23,3	242	199	1,84	1,21	1,05
60	-20	282	215	1,98	1,31	1,13
60	-15	349	240	2,20	1,46	1,26
60	-10	426	266	2,44	1,60	1,39

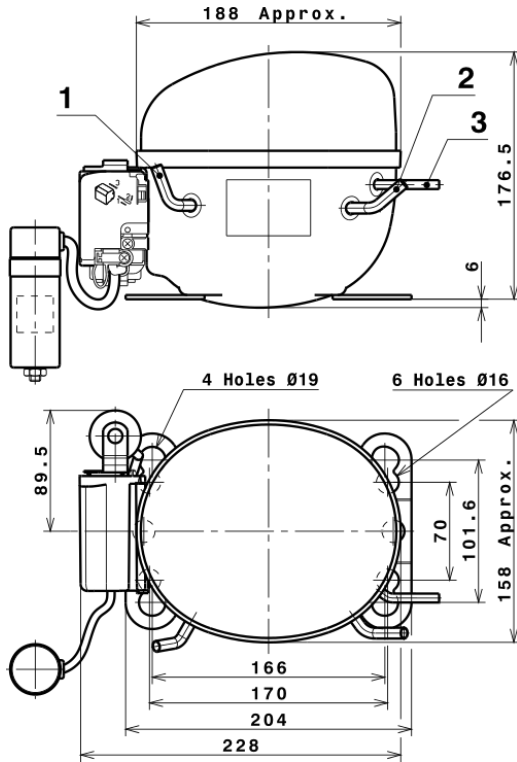
EN12900

X	Cooling Capacity (W)	Consumption (W)	Current (A)	Mass Flow (kg/h)
1	1.149,284742288	144,0871625304	1,3391193856	10,690921167098
2	29,3928793873	1,5527841920	0,0152201607	0,31008466561674
3	-9,3925164529	3,0743532437	0,0279245484	-0,034893047486065
4	0,1704169505	0,0209206165	0,0002562998	0,0025098995153363
5	-0,1714956452	0,0717504779	0,0006565353	-0,00047479833829891

Equation	$x_1 + x_2Te + x_3Tc + x_4Te^2 + x_5TeTc$
----------	---

Technical Data Sheet

COMPRESSOR DIMENSIONS

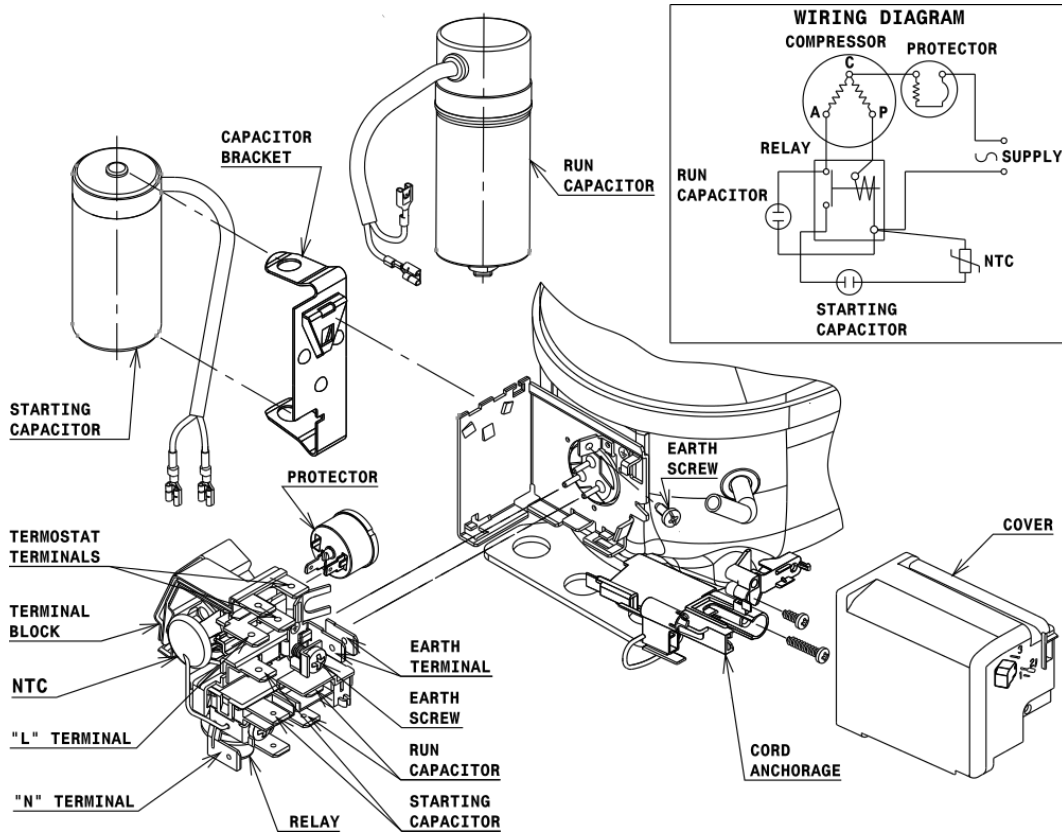


DESIGNATION INTERNAL DIAM.

DESIGNATION	INTERNAL DIAM.
1 Service	6,2 mm
2 Suction	6,2 mm
3 Discharge	4,9 mm

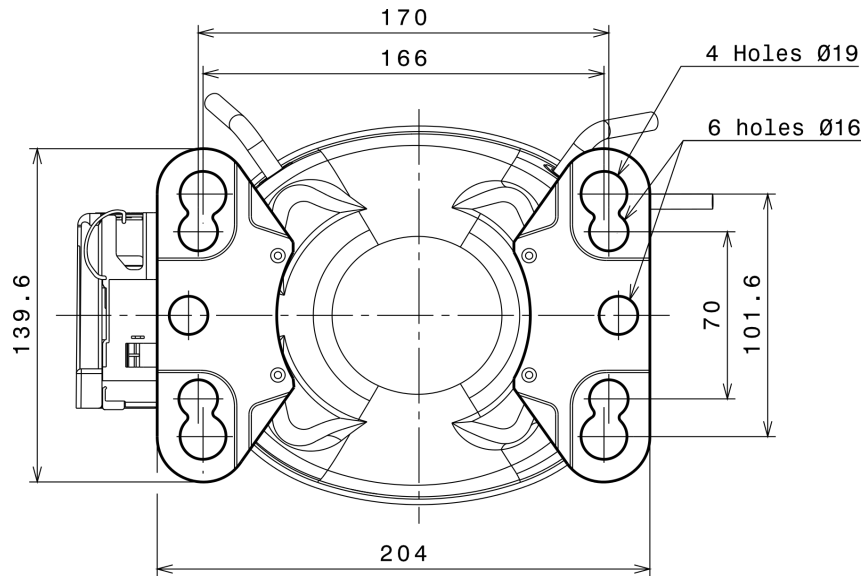
WIRING DIAGRAMS AND ELECTRICAL ASSEMBLY

CSR CONNECTION (CURRENT RELAY + NTC) (U range)



Technical Data Sheet

FIXINGS



SILENT BLOCKS (MOUNTING ACCESSORIES)

STANDARD

$\varnothing 16$ holes (170x70 net)



AMERICAN FEET

$\varnothing 19$ holes (166x101.6 net)



SNAP-ON

$\varnothing 16$ holes (170x70 net)



SOA

SOA R290 LBP

