

Technical Data Sheet

Compressor model **NUT55CAb**
 Voltage **220-240V 50Hz ~1**
 Refrigerant **R290**

APPLICATION

Application	Low Back Pressure
Refrigerant	R290
Evaporating Temp.	-40,0 °C to -10,0 °C
Expansion	Capillar
Comp. Cooling	Fan cooled
Max. ambient temp.	43,0 °C

COMPRESSOR

Displacement	5,50 cm ³
Diameter	21,99 mm
Stroke	14,50 mm
Net Weight	9,21 Kg
Oil type	ISO VG 10 ESTER
Oil charge	200 cm ³

MOTOR

Nominal Power	1/5 hp
Voltage/Frequency	220-240V 50Hz
Voltage range	187-255 V
Type	RSCR
Phase number	1 PH
Locked Rotor Amps (LRA)	5,90 A
Max. Cont. Current (MCC)	1,55 A
Main W. resist. at 25°C	16,70 Ω
Start W. resist. at 25°C	17,40 Ω

NOMINAL PERFORMANCE

	ASHRAE	CECOMAF
Cooling Capacity	227 kCal/h	196 W
COP	1,80 W/W	1,39 W/W
EER	1,54 kCal/Wh	1,20 kCal/Wh
Input Power	147 W	141 W
Current	0,70 A	0,67 A

APPROVALS



TEST CYCLE CONDITIONS

	ASHRAE LBP (B)	CECOMAF LBP (A)
Evaporating temp. (T _e)	-23,3 °C	-25,0 °C
Condensing temp. (T _c)	55,0 °C	55,0 °C
Liquid temp. (T _{liq.})	32,0 °C	55,0 °C
Ambient temp. (T _{amb.})	32,0 °C	32,0 °C
Suction temp. (T _{suction})	32,0 °C	32,0 °C
Voltage/Frequency	220 V 50 Hz	220 V 50 Hz

ELECTRICAL COMPONENTS

Run capacitor	5 µF 400 V			
Relay	Option 1			
Reference	PTC K100			
Voltage	200-240 V			
Resistance	14.00 Ω			
Protector	Option 1	Option 2		
Reference	AE18FU	B65-135		
Current	6,30 A	6,50 A		
Time check	7,5-14 seg	7,5-16 seg		
Disc temp. (Open/Close)	120,00 / 62,00 °C	135,00 / 62,00 °C		

This product is approved for R290 and R600a regarding explosion safety according to standard EN 60335-1 and EN 60335-2-34

ASHRAE

Tc °C	Te °C	Cooling Capacity kCal/h	Consumption W	Current A	COP W/W	EER kCal/Wh
40	-40	113	94	0,46	1,39	1,20
40	-35	145	105	0,51	1,61	1,38
40	-30	187	116	0,56	1,87	1,61
40	-25	238	129	0,62	2,15	1,85
40	-23,3	257	133	0,63	2,25	1,94
40	-20	298	141	0,67	2,45	2,11
40	-15	367	155	0,74	2,76	2,38
40	-10	446	169	0,80	3,08	2,65

45	-40	106	94	0,46	1,31	1,13
45	-35	138	106	0,52	1,50	1,29
45	-30	178	119	0,57	1,74	1,49
45	-25	228	133	0,63	2,00	1,72
45	-23,3	247	138	0,66	2,09	1,80
45	-20	287	147	0,70	2,27	1,96
45	-15	356	162	0,77	2,56	2,20
45	-10	433	177	0,84	2,85	2,45

50	-40	100	94	0,46	1,23	1,06
50	-35	130	108	0,52	1,40	1,21
50	-30	170	122	0,59	1,62	1,39
50	-25	218	137	0,65	1,85	1,59
50	-23,3	237	142	0,68	1,94	1,67
50	-20	276	153	0,73	2,11	1,81
50	-15	344	169	0,80	2,37	2,04
50	-10	420	186	0,88	2,63	2,26

55	-40	93	94	0,46	1,15	0,99
55	-35	122	109	0,53	1,30	1,12
55	-30	161	125	0,60	1,50	1,29
55	-25	209	141	0,67	1,72	1,48
55	-23,3	227	147	0,70	1,80	1,54
55	-20	266	158	0,75	1,95	1,68
55	-15	332	176	0,83	2,19	1,89
55	-10	407	194	0,92	2,44	2,10

60	-40	87	94	0,46	1,07	0,92
60	-35	115	111	0,53	1,21	1,04
60	-30	152	128	0,61	1,39	1,19
60	-25	199	146	0,69	1,59	1,37
60	-23,3	217	152	0,72	1,66	1,43
60	-20	255	164	0,78	1,81	1,55
60	-15	320	183	0,87	2,03	1,75
60	-10	394	203	0,96	2,26	1,95

CECOMAF

Tc °C	Te °C	Cooling Capacity W	Consumption W	Current A	COP W/W	EER kCal/Wh
40	-40	122	94	0,46	1,30	1,12
40	-35	161	105	0,51	1,53	1,32
40	-30	208	116	0,56	1,79	1,55
40	-25	264	129	0,62	2,06	1,78
40	-23,3	285	133	0,63	2,15	1,86
40	-20	329	141	0,67	2,33	2,01
40	-15	402	155	0,74	2,60	2,25
40	-10	484	169	0,80	2,87	2,48

45	-40	110	94	0,46	1,17	1,01
45	-35	146	106	0,52	1,37	1,18
45	-30	189	119	0,57	1,59	1,37
45	-25	242	133	0,63	1,82	1,57
45	-23,3	261	138	0,66	1,90	1,64
45	-20	303	147	0,70	2,06	1,78
45	-15	372	162	0,77	2,30	1,99
45	-10	450	177	0,84	2,54	2,20

50	-40	99	94	0,46	1,05	0,91
50	-35	130	108	0,52	1,21	1,05
50	-30	170	122	0,59	1,40	1,21
50	-25	219	137	0,65	1,60	1,38
50	-23,3	237	142	0,68	1,67	1,44
50	-20	276	153	0,73	1,81	1,56
50	-15	342	169	0,80	2,02	1,75
50	-10	416	186	0,88	2,24	1,94

55	-40	88	94	0,46	0,93	0,81
55	-35	115	109	0,53	1,06	0,91
55	-30	152	125	0,60	1,21	1,05
55	-25	196	141	0,67	1,39	1,20
55	-23,3	213	147	0,70	1,45	1,25
55	-20	250	158	0,75	1,58	1,36
55	-15	311	176	0,83	1,77	1,53
55	-10	382	194	0,92	1,97	1,70

60	-40	76	94	0,46	0,81	0,70
60	-35	100	111	0,53	0,91	0,78
60	-30	133	128	0,61	1,04	0,90
60	-25	174	146	0,69	1,19	1,03
60	-23,3	189	152	0,72	1,25	1,08
60	-20	223	164	0,78	1,36	1,18
60	-15	281	183	0,87	1,54	1,33
60	-10	348	203	0,96	1,72	1,48

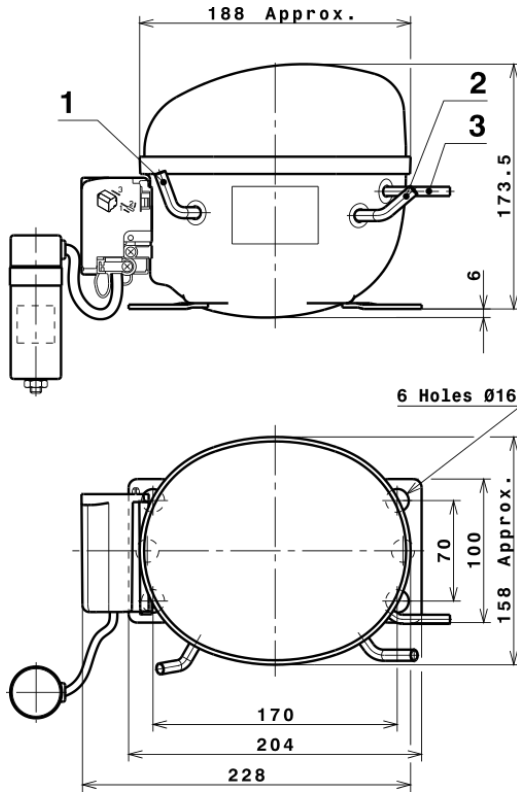
EN12900

X	Cooling Capacity (W)	Consumption (W)	Current (A)	Mass Flow (kg/h)
1	1.001,0923131970	110,4603700041	0,5261613245	9,4827562516485
2	26,4129288607	0,8766508147	0,0045294962	0,28357930801283
3	-8,5169319134	2,3226912402	0,0110109604	-0,038209166302409
4	0,1662960705	0,0129016887	0,0000775528	0,0024190262415613
5	-0,1558113371	0,0580672810	0,0002752740	-0,00055781862954746

Equation	$x_1 + x_2Te + x_3Tc + x_4Te^2 + x_5TeTc$
----------	---

Technical Data Sheet

COMPRESSOR DIMENSIONS

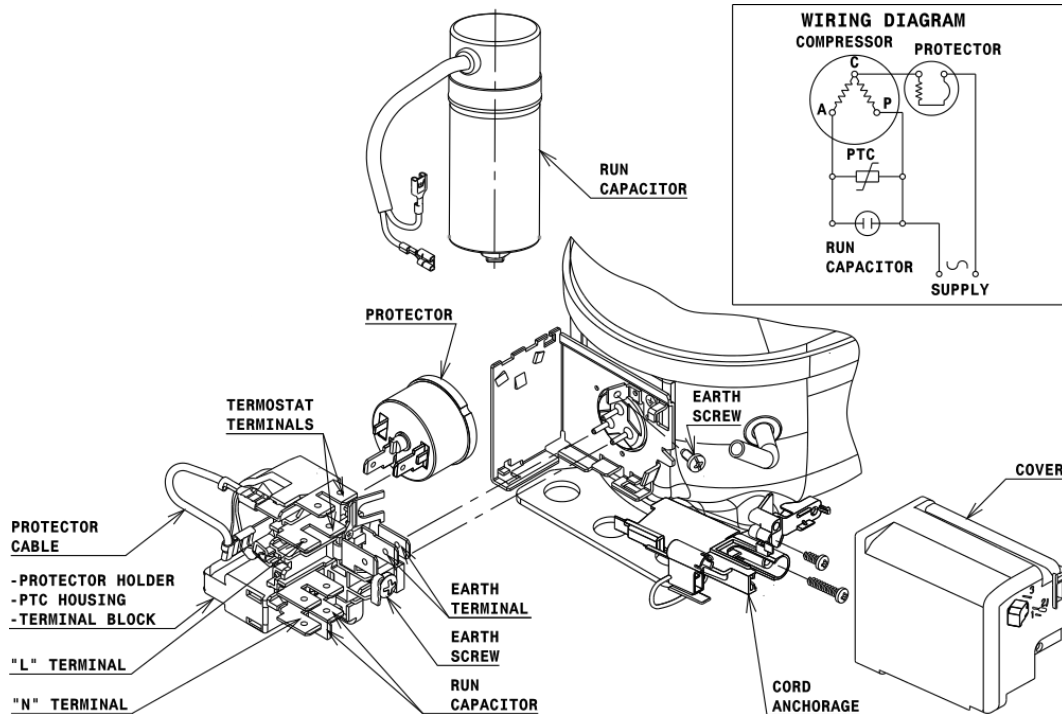


DESIGNATION INTERNAL DIAM.

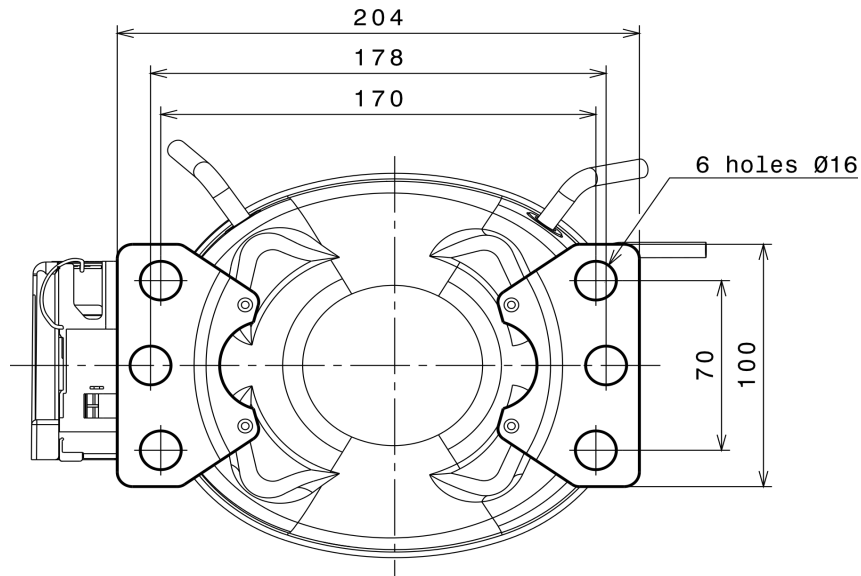
1	Service	6,2 mm
2	Suction	6,2 mm
3	Discharge	4,9 mm

WIRING DIAGRAMS AND ELECTRICAL ASSEMBLY

RSCR CONNECTION (U range)



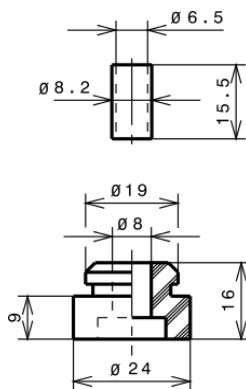
FIXINGS



SILENT BLOCKS (MOUNTING ACCESSORIES)

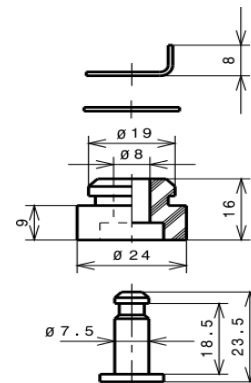
STANDARD

Ø16 holes (170x70 net)



SNAP-ON

Ø16 holes (170x70 net)



SOA

SOA R290 LBP

