

# Technical Data Sheet

Compressor model **NLY75NGb**  
 Voltage **200-220/220-230V 50/60Hz ~1**  
 Refrigerant **R290**

APPLICATION		COMPRESSOR		MOTOR	
Application	Low-Medium Back Pressure	Displacement	7,36 cm <sup>3</sup>	Nominal Power	1/3 hp
Refrigerant	R290	Diameter	24,27 mm	Voltage/Frequency	200-220V 50Hz
Evaporating Temp.	-40,0 °C to 0,0 °C	Stroke	15,90 mm	Voltage range	170-242 V
Expansion	Capillar/Valve	Net Weight	10,51 Kg	Type	CSR
Comp. Cooling	Fan cooled	Oil type	ISO VG 32 ESTER	Phase number	1 PH
Max. ambient temp.	43,0 °C	Oil charge	350 cm <sup>3</sup>	Locked Rotor Amps (LRA)	12,00 A
				Max. Cont. Current (MCC)	3,00 A
				Main W. resist. at 25°C	8,62 Ω
				Start W. resist. at 25°C	11,60 Ω

## NOMINAL PERFORMANCE

	ASHRAE	CECOMAF
Cooling Capacity	269 kCal/h	231 W
COP	1,42 W/W	1,09 W/W
EER	1,22 kCal/Wh	0,94 kCal/Wh
Input Power	221 W	213 W
Current	1,23 A	1,20 A

## APPROVALS

## TEST CYCLE CONDITIONS

	ASHRAE LMBP (B)	CECOMAF LMBP (A)
Evaporating temp. (T <sub>e</sub> )	-23,3 °C	-25,0 °C
Condensing temp. (T <sub>c</sub> )	55,0 °C	55,0 °C
Liquid temp. (T <sub>liq.</sub> )	32,0 °C	55,0 °C
Ambient temp. (T <sub>amb.</sub> )	32,0 °C	32,0 °C
Suction temp. (T <sub>suction</sub> )	32,0 °C	32,0 °C
Voltage/Frequency	220 V 50 Hz	220 V 50 Hz

## ELECTRICAL COMPONENTS

Starting capacitor	64- 77 μF 330 V			
Run capacitor	6 μF 400 V			
Relay	Option 1			
Reference	2014 138. + NTC15Ω			
Pick-Up	6.10 A			
Drop-Out	5.20 A			
Protector	Option 1			
Reference	T0266			
Current	11,00 A			
Time check	7,5-14 seg			
Disc temp. (Open/Close)	105,00 / 52,00 °C			

This product is approved for R290 and R600a regarding explosion safety according to standard EN 60335-1 and EN 60335-2-34

## ASHRAE

Tc °C	Te °C	Cooling Capacity kCal/h	Consumption W	Current A	COP W/W	EER kCal/Wh
40	-40	117	143	0,93	0,95	0,82
40	-35	158	160	1,00	1,15	0,99
40	-30	211	178	1,06	1,38	1,19
40	-25	275	196	1,13	1,63	1,40
40	-23,3	300	203	1,16	1,72	1,48
40	-20	351	215	1,21	1,90	1,63
40	-15	437	235	1,28	2,17	1,86
40	-10	535	255	1,36	2,45	2,10
40	-5	644	275	1,45	2,72	2,34
40	0	765	296	1,53	3,00	2,58

45	-40	110	143	0,94	0,89	0,77
45	-35	151	162	1,01	1,08	0,93
45	-30	202	182	1,08	1,30	1,11
45	-25	266	202	1,16	1,53	1,32
45	-23,3	290	209	1,18	1,61	1,39
45	-20	340	222	1,24	1,78	1,53
45	-15	425	244	1,32	2,03	1,75
45	-10	522	265	1,41	2,29	1,97
45	-5	630	287	1,50	2,55	2,19
45	0	749	310	1,59	2,81	2,42

50	-40	104	144	0,94	0,84	0,72
50	-35	143	164	1,01	1,01	0,87
50	-30	194	186	1,09	1,21	1,04
50	-25	256	207	1,18	1,43	1,23
50	-23,3	279	215	1,21	1,51	1,30
50	-20	329	230	1,26	1,67	1,43
50	-15	413	252	1,35	1,90	1,64
50	-10	509	276	1,45	2,15	1,84
50	-5	616	300	1,55	2,39	2,05
50	0	734	324	1,65	2,63	2,26

55	-40	97	144	0,94	0,78	0,67
55	-35	135	166	1,02	0,95	0,81
55	-30	185	189	1,11	1,14	0,98
55	-25	246	213	1,20	1,34	1,15
55	-23,3	269	221	1,23	1,42	1,22
55	-20	318	237	1,29	1,56	1,34
55	-15	401	261	1,39	1,78	1,53
55	-10	495	286	1,49	2,01	1,73
55	-5	601	312	1,60	2,24	1,93
55	0	718	338	1,71	2,47	2,12

60	-40	90	145	0,94	0,73	0,63
60	-35	128	169	1,03	0,88	0,76
60	-30	176	193	1,12	1,06	0,91
60	-25	236	218	1,22	1,26	1,08
60	-23,3	259	227	1,25	1,32	1,14
60	-20	307	244	1,32	1,46	1,26
60	-15	389	270	1,43	1,67	1,44
60	-10	482	297	1,54	1,89	1,62
60	-5	587	324	1,65	2,10	1,81
60	0	703	352	1,77	2,32	2,00

## CECOMAF

Tc °C	Te °C	Cooling Capacity W	Consumption W	Current A	COP W/W	EER kCal/Wh
40	-40	126	143	0,93	0,88	0,76
40	-35	178	160	1,00	1,11	0,96
40	-30	240	178	1,06	1,35	1,17
40	-25	312	196	1,13	1,59	1,37
40	-23,3	339	203	1,16	1,67	1,45
40	-20	395	215	1,21	1,84	1,59
40	-15	488	235	1,28	2,08	1,80
40	-10	592	255	1,36	2,32	2,01
40	-5	706	275	1,45	2,57	2,22
40	0	830	296	1,53	2,80	2,42

45	-40	115	143	0,94	0,80	0,69
45	-35	161	162	1,01	0,99	0,86
45	-30	218	182	1,08	1,20	1,04
45	-25	285	202	1,16	1,41	1,22
45	-23,3	310	209	1,18	1,49	1,29
45	-20	363	222	1,24	1,63	1,41
45	-15	451	244	1,32	1,85	1,60
45	-10	549	265	1,41	2,07	1,79
45	-5	658	287	1,50	2,29	1,98
45	0	777	310	1,59	2,51	2,17

50	-40	103	144	0,94	0,72	0,62
50	-35	144	164	1,01	0,88	0,76
50	-30	196	186	1,09	1,06	0,91
50	-25	258	207	1,18	1,25	1,08
50	-23,3	282	215	1,21	1,31	1,13
50	-20	331	230	1,26	1,44	1,24
50	-15	414	252	1,35	1,64	1,42
50	-10	507	276	1,45	1,84	1,59
50	-5	610	300	1,55	2,04	1,76
50	0	724	324	1,65	2,24	1,93

55	-40	91	144	0,94	0,63	0,55
55	-35	128	166	1,02	0,77	0,66
55	-30	174	189	1,11	0,92	0,79
55	-25	231	213	1,20	1,09	0,94
55	-23,3	253	221	1,23	1,14	0,99
55	-20	299	237	1,29	1,26	1,09
55	-15	376	261	1,39	1,44	1,24
55	-10	464	286	1,49	1,62	1,40
55	-5	563	312	1,60	1,80	1,56
55	0	672	338	1,71	1,99	1,72

60	-40	80	145	0,94	0,55	0,48
60	-35	111	169	1,03	0,66	0,57
60	-30	152	193	1,12	0,79	0,68
60	-25	204	218	1,22	0,93	0,81
60	-23,3	224	227	1,25	0,99	0,85
60	-20	266	244	1,32	1,09	0,94
60	-15	339	270	1,43	1,25	1,08
60	-10	422	297	1,54	1,42	1,23
60	-5	515	324	1,65	1,59	1,37
60	0	619	352	1,77	1,76	1,52

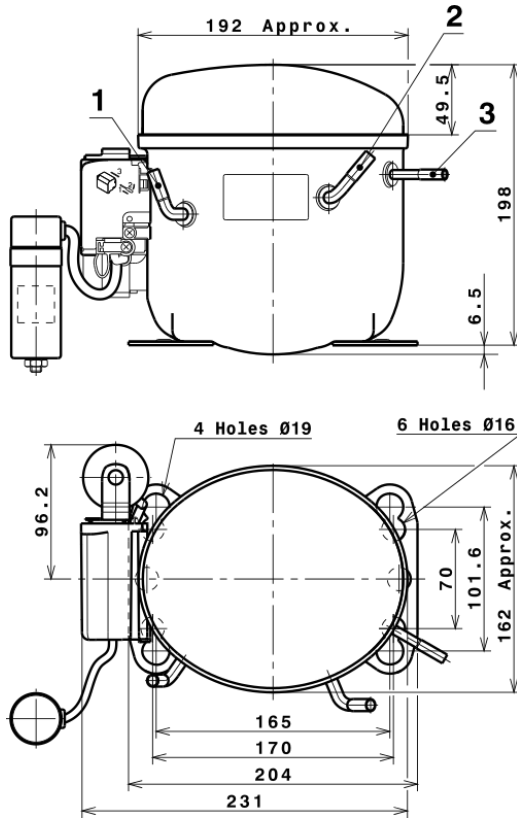
## EN12900

X	Cooling Capacity (W)	Consumption (W)	Current (A)	Mass Flow (kg/h)
1	1.251,5494764471	188,9295696391	1,0712505909	11,29920625142
2	33,9746183226	1,6505385747	0,0070661093	0,35219376178787
3	-10,8803181511	2,8750151902	0,0123250679	-0,039550132156988
4	0,2025096442	0,0116208473	0,0000889269	0,003029663403719
5	-0,2138617755	0,0693212032	0,0002988249	-0,00059132322243863

Equation	$x_1 + x_2Te + x_3Tc + x_4Te^2 + x_5TeTc$
----------	---

# Technical Data Sheet

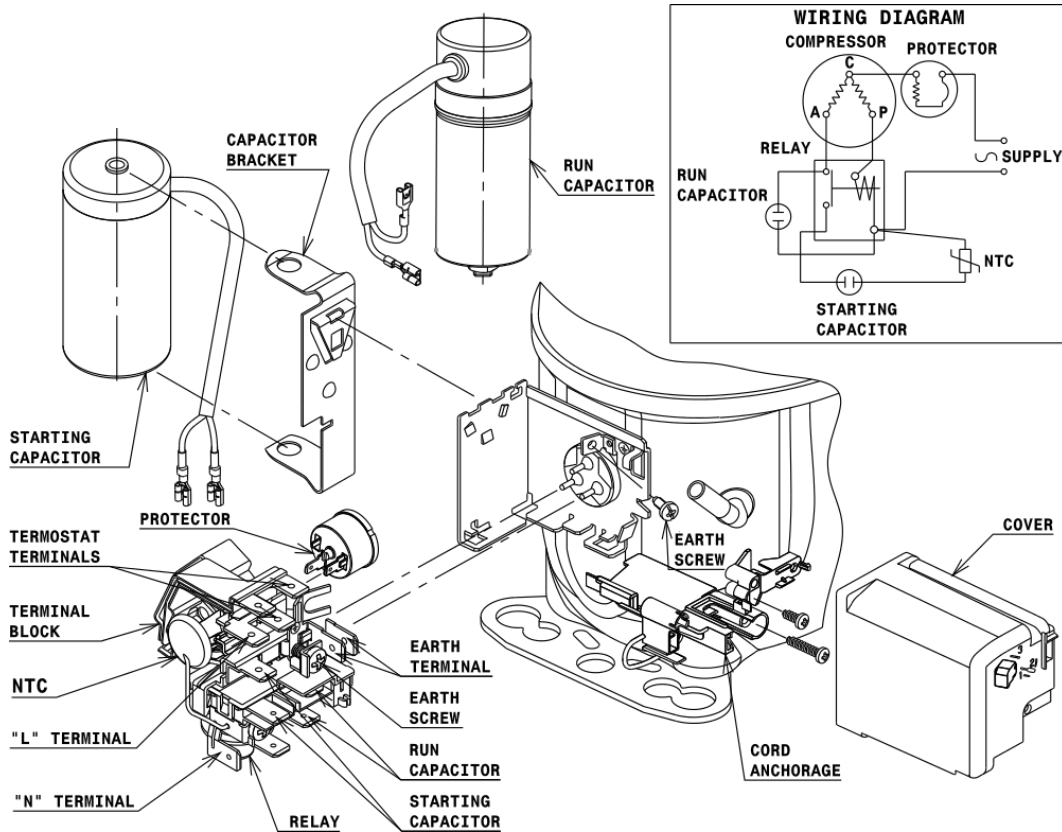
## COMPRESSOR DIMENSIONS



DESIGNATION	INTERNAL DIAM.
1 Suction	6,5 mm
2 Service	6,5 mm
3 Discharge	4,9 mm

## WIRING DIAGRAMS AND ELECTRICAL ASSEMBLY

### CSR CONNECTION (CURRENT RELAY + NTC) (L, P ranges)



# Technical Data Sheet

## FIXINGS



## SILENT BLOCKS (MOUNTING ACCESSORIES)

### STANDARD

Ø16 holes (170x70 net)



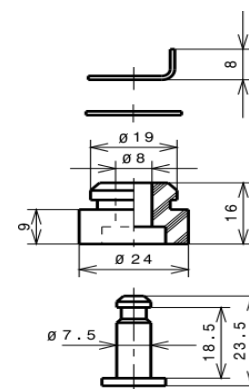
### AMERICAN FEET

Ø19 holes (165x101.6 net)



### SNAP-ON

Ø16 holes (170x70 net)



## SOA

SOA R290 LMBP

