

Technical Data Sheet

Compressor model **MS26TG_V**
 Voltage **200-220/230V 50/60Hz ~1**
 Refrigerant **R404A**

APPLICATION

COMPRESSOR

MOTOR

Application	High-Medium Back Pressure	Displacement	25,93 cm ³	Nominal Power	1 3/8 hp
Refrigerant	R404A	Diameter	39,98 mm	Voltage/Frequency	200-220V 50Hz
Evaporating Temp.	-25,0 °C to 10,0 °C	Stroke	20,65 mm	Voltage range	170-242 V
Expansion	Capillar/Valve	Net Weight	23,00 Kg	Type	CSR
Comp. Cooling	Fan cooled	Oil type	ISO VG 46 ESTER	Phase number	1 PH
Max. ambient temp.	43,0 °C	Oil charge	887 cm ³	Locked Rotor Amps (LRA)	41,50 A
				Max. Cont. Current (MCC)	13,00 A
				Main W. resist. at 25°C	1,20 Ω
				Start W. resist. at 25°C	3,93 Ω

NOMINAL PERFORMANCE

	ASHRAE	CECOMAF
Cooling Capacity	3.450 kCal/h	3.166 W
COP	2,46 W/W	2,00 W/W
EER	2,12 kCal/Wh	1,72 kCal/Wh
Input Power	1.630 W	1.587 W
Current	8,80 A	8,57 A

APPROVALS



TEST CYCLE CONDITIONS

	ASHRAE HMBP (D)	CECOMAF HMBP (C)
Evaporating temp. (T _e)	7,2 °C	5,0 °C
Condensing temp. (T _c)	55,0 °C	55,0 °C
Liquid temp. (T _{liq.})	46,0 °C	55,0 °C
Ambient temp. (T _{amb.})	35,0 °C	32,0 °C
Suction temp. (T _{suction})	35,0 °C	32,0 °C
Voltage/Frequency	200 V 50 Hz	200 V 50 Hz



ELECTRICAL COMPONENTS

Starting capacitor	88-108 μF 330 V		
Run capacitor	25 μF 420 V		
Relay	Option 1	Option 2	
Reference	3ARR3 10S3	RVA 3AG..	
Pick-Up	180-195 V	180-195 V	
Drop-Out	40-105 V	40-105 V	
Protector	Option 1	Option 2	
Reference	MRA38142	T0257	
Current	24,00 A	24,00 A	
Time check	7,5-14 seg	6,0-16 seg	
Disc temp. (Open/Close)	120,00 / 52,00 °C	120,00 / 52,00 °C	

ASHRAE

Tc °C	Te °C	Cooling Capacity kCal/h	Consumption W	Current A	COP W/W	EER kCal/Wh
40	-25	1.105	765	4,66	1,68	1,44
40	-20	1.482	873	5,11	1,98	1,70
40	-15	1.914	976	5,56	2,28	1,96
40	-10	2.401	1.076	6,01	2,60	2,23
40	-5	2.944	1.172	6,46	2,92	2,51
40	0	3.542	1.264	6,91	3,26	2,80
40	5	4.195	1.352	7,34	3,61	3,10
40	7,2	4.500	1.390	7,53	3,77	3,24
40	10	4.903	1.437	7,77	3,97	3,41

45	-25	960	760	4,64	1,47	1,26
45	-20	1.305	881	5,15	1,72	1,48
45	-15	1.705	998	5,66	1,99	1,71
45	-10	2.161	1.111	6,17	2,26	1,95
45	-5	2.672	1.220	6,69	2,55	2,19
45	0	3.238	1.325	7,21	2,84	2,44
45	5	3.859	1.427	7,72	3,15	2,71
45	7,2	4.150	1.470	7,95	3,28	2,82
45	10	4.536	1.524	8,23	3,46	2,98

50	-25	815	755	4,62	1,26	1,08
50	-20	1.128	889	5,18	1,48	1,27
50	-15	1.497	1.019	5,76	1,71	1,47
50	-10	1.920	1.145	6,34	1,95	1,68
50	-5	2.399	1.268	6,92	2,20	1,89
50	0	2.934	1.386	7,51	2,46	2,12
50	5	3.523	1.501	8,11	2,73	2,35
50	7,2	3.800	1.550	8,37	2,85	2,45
50	10	4.168	1.612	8,70	3,01	2,59

55	-25	670	750	4,60	1,04	0,89
55	-20	951	897	5,22	1,23	1,06
55	-15	1.288	1.041	5,85	1,44	1,24
55	-10	1.680	1.180	6,50	1,66	1,42
55	-5	2.127	1.316	7,16	1,88	1,62
55	0	2.630	1.447	7,83	2,11	1,82
55	5	3.187	1.575	8,50	2,35	2,02
55	7,2	3.450	1.630	8,80	2,46	2,12
55	10	3.800	1.699	9,18	2,60	2,24

60	-25	525	745	4,58	0,82	0,70
60	-20	775	905	5,25	1,00	0,86
60	-15	1.079	1.062	5,95	1,18	1,02
60	-10	1.440	1.215	6,67	1,38	1,19
60	-5	1.855	1.363	7,40	1,58	1,36
60	0	2.325	1.508	8,15	1,79	1,54
60	5	2.851	1.649	8,91	2,01	1,73
60	7,2	3.100	1.710	9,24	2,11	1,81
60	10	3.432	1.786	9,67	2,23	1,92

CECOMAF

Tc °C	Te °C	Cooling Capacity W	Consumption W	Current A	COP W/W	EER kCal/Wh
40	-25	1.155	769	4,68	1,50	1,30
40	-20	1.560	878	5,13	1,78	1,54
40	-15	2.018	982	5,59	2,06	1,78
40	-10	2.530	1.083	6,04	2,34	2,02
40	-5	3.095	1.180	6,50	2,62	2,27
40	0	3.714	1.273	6,95	2,92	2,52
40	5	4.386	1.362	7,39	3,22	2,78
40	7,2	4.699	1.401	7,59	3,35	2,90
40	10	5.112	1.448	7,83	3,53	3,05

45	-25	994	764	4,66	1,30	1,12
45	-20	1.358	886	5,17	1,53	1,32
45	-15	1.775	1.004	5,69	1,77	1,53
45	-10	2.246	1.118	6,21	2,01	1,74
45	-5	2.770	1.228	6,73	2,26	1,95
45	0	3.348	1.334	7,25	2,51	2,17
45	5	3.979	1.437	7,78	2,77	2,39
45	7,2	4.274	1.481	8,00	2,89	2,49
45	10	4.664	1.536	8,29	3,04	2,62

50	-25	833	759	4,64	1,10	0,95
50	-20	1.155	894	5,20	1,29	1,12
50	-15	1.532	1.025	5,78	1,49	1,29
50	-10	1.962	1.153	6,37	1,70	1,47
50	-5	2.445	1.276	6,96	1,92	1,66
50	0	2.982	1.396	7,56	2,14	1,85
50	5	3.573	1.512	8,17	2,36	2,04
50	7,2	3.850	1.562	8,43	2,46	2,13
50	10	4.217	1.624	8,77	2,60	2,24

55	-25	671	754	4,62	0,89	0,77
55	-20	953	902	5,24	1,06	0,91
55	-15	1.289	1.047	5,88	1,23	1,06
55	-10	1.678	1.187	6,54	1,41	1,22
55	-5	2.120	1.324	7,20	1,60	1,38
55	0	2.617	1.457	7,88	1,80	1,55
55	5	3.166	1.587	8,57	2,00	1,72
55	7,2	3.425	1.643	8,87	2,09	1,80
55	10	3.769	1.712	9,26	2,20	1,90

60	-25	510	749	4,60	0,68	0,59
60	-20	751	911	5,28	0,82	0,71
60	-15	1.046	1.068	5,98	0,98	0,85
60	-10	1.394	1.222	6,70	1,14	0,99
60	-5	1.796	1.372	7,44	1,31	1,13
60	0	2.251	1.519	8,20	1,48	1,28
60	5	2.760	1.662	8,97	1,66	1,44
60	7,2	3.000	1.723	9,32	1,74	1,50
60	10	3.322	1.800	9,75	1,85	1,59

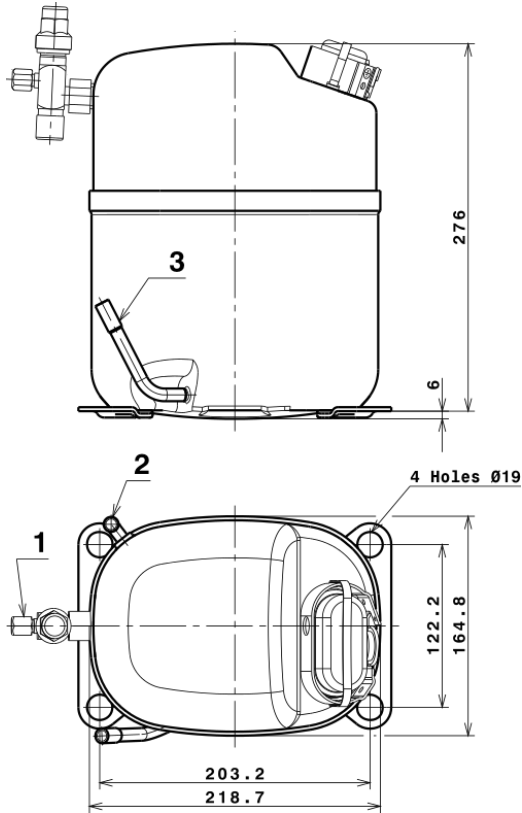
EN12900

X	Cooling Capacity (W)	Consumption (W)	Current (A)	Mass Flow (kg/h)
1	6.632,6422049871	803,0851481016	4,2878825052	133,6286092868
2	194,7566927327	-2,5369558681	-0,0164143271	4,3202232344381
3	-75,4604345434	12,7171700979	0,0695160567	-0,76781032708348
4	1,0129330345	-0,0601664716	0,0003624697	0,047751067109128
5	-1,7387615043	0,5498746300	0,0029504752	-0,0063050986313255

Equation	$x_1 + x_2Te + x_3Tc + x_4Te^2 + x_5TeTc$
----------	---

Technical Data Sheet

COMPRESSOR DIMENSIONS

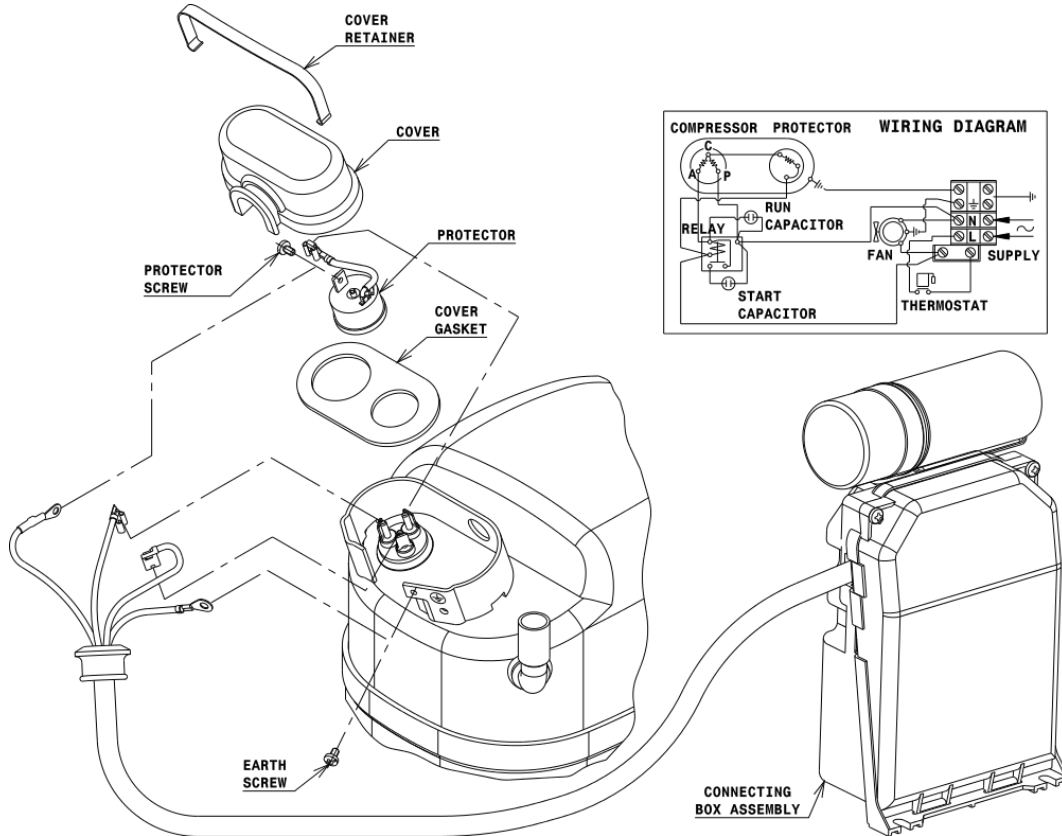


DESIGNATION INTERNAL DIAM.

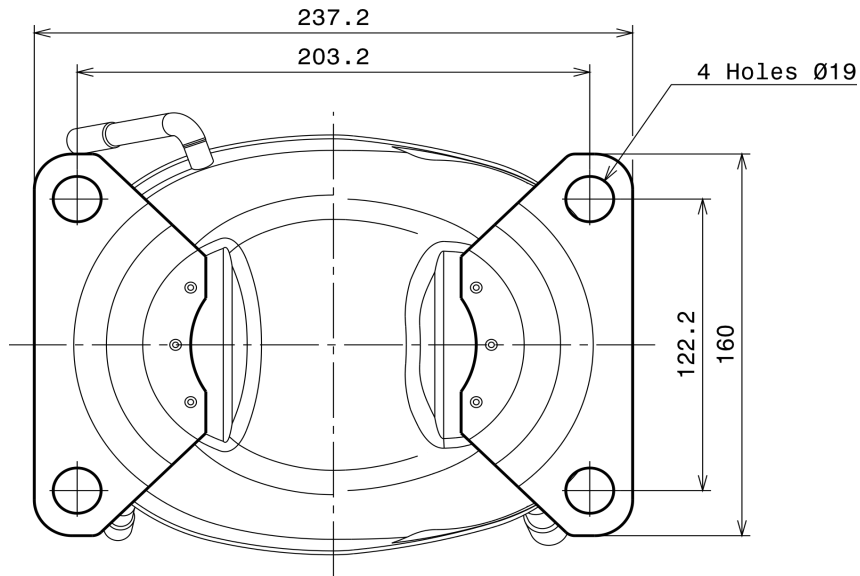
DESIGNATION	INTERNAL DIAM.
1 Service Valve	5/8" SAE
2 Service	9,7 mm
3 Discharge	8,0 mm

WIRING DIAGRAMS AND ELECTRICAL ASSEMBLY

CSR CONNECTION (EXTERNAL CONNECTING BOX) (S range)



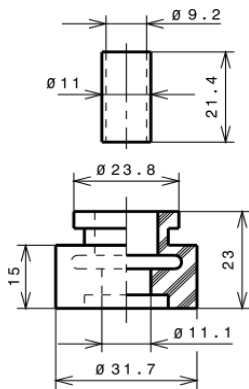
FIXINGS



SILENT BLOCKS (MOUNTING ACCESSORIES)

STANDARD

$\varnothing 19$ holes (203.2x122.2 net)



SOA

SOA R404A HMBP

