

Technical Data Sheet

Compressor model **MS26TB_V**
 Voltage **220-240V 50Hz ~1**
 Refrigerant **R404A**

APPLICATION

COMPRESSOR

MOTOR

Application	High-Medium Back Pressure	Displacement	25,93 cm ³	Nominal Power	1 3/8 hp
Refrigerant	R404A	Diameter	39,98 mm	Voltage/Frequency	220-240V 50Hz
Evaporating Temp.	-25,0 °C to 10,0 °C	Stroke	20,65 mm	Voltage range	187-255 V
Expansion	Capillar/Valve	Net Weight	22,12 Kg	Type	CSR
Comp. Cooling	Fan cooled	Oil type	ISO VG 46 ESTER	Phase number	1 PH
Max. ambient temp.	43,0 °C	Oil charge	887 cm ³	Locked Rotor Amps (LRA)	38,00 A
				Max. Cont. Current (MCC)	11,50 A
				Main W. resist. at 25°C	1,65 Ω
				Start W. resist. at 25°C	4,90 Ω

NOMINAL PERFORMANCE

	ASHRAE	CECOMAF
Cooling Capacity	3.448 kCal/h	3.164 W
COP	2,46 W/W	2,00 W/W
EER	2,12 kCal/Wh	1,72 kCal/Wh
Input Power	1.629 W	1.586 W
Current	8,10 A	7,91 A

APPROVALS



TEST CYCLE CONDITIONS

	ASHRAE HMBP (D)	CECOMAF HMBP (C)
Evaporating temp. (T _e)	7,2 °C	5,0 °C
Condensing temp. (T _c)	55,0 °C	55,0 °C
Liquid temp. (T _{liq.})	46,0 °C	55,0 °C
Ambient temp. (T _{amb.})	35,0 °C	32,0 °C
Suction temp. (T _{suction})	35,0 °C	32,0 °C
Voltage/Frequency	220 V 50 Hz	220 V 50 Hz

ELECTRICAL COMPONENTS

Starting capacitor	88-108 µF 330 V		
Run capacitor	20 µF 420 V		
Relay	Option 1	Option 2	
Reference	3ARR3 10AS3	RVA 3G..	
Pick-Up	180-195 V	180-195 V	
Drop-Out	40-105 V	40-105 V	
Protector	Option 1	Option 2	
Reference	MRA38123	T0534	
Current	22,00 A	20,00 A	
Time check	7,5-14 seg	7,5-14 seg	
Disc temp. (Open/Close)	105,00 / 52,00 °C	105,00 / 52,00 °C	

ASHRAE

Tc °C	Te °C	Cooling Capacity kCal/h	Consumption W	Current A	COP W/W	EER kCal/Wh
40	-25	1.105	810	4,47	1,59	1,36
40	-20	1.481	910	4,91	1,89	1,63
40	-15	1.913	1.007	5,34	2,21	1,90
40	-10	2.400	1.099	5,75	2,54	2,18
40	-5	2.942	1.188	6,14	2,88	2,48
40	0	3.539	1.273	6,52	3,23	2,78
40	5	4.192	1.354	6,88	3,60	3,09
40	7,2	4.497	1.389	7,03	3,77	3,24
40	10	4.900	1.432	7,22	3,98	3,42

45	-25	960	790	4,38	1,41	1,22
45	-20	1.305	906	4,89	1,68	1,44
45	-15	1.704	1.018	5,38	1,95	1,67
45	-10	2.160	1.126	5,86	2,23	1,92
45	-5	2.670	1.230	6,33	2,52	2,17
45	0	3.235	1.331	6,77	2,83	2,43
45	5	3.856	1.428	7,20	3,14	2,70
45	7,2	4.147	1.469	7,39	3,28	2,82
45	10	4.532	1.521	7,62	3,47	2,98

50	-25	815	770	4,29	1,23	1,06
50	-20	1.128	901	4,87	1,46	1,25
50	-15	1.496	1.029	5,43	1,69	1,45
50	-10	1.919	1.152	5,98	1,94	1,67
50	-5	2.398	1.272	6,51	2,19	1,88
50	0	2.932	1.388	7,03	2,46	2,11
50	5	3.521	1.501	7,53	2,73	2,35
50	7,2	3.798	1.549	7,74	2,85	2,45
50	10	4.165	1.609	8,01	3,01	2,59

55	-25	670	750	4,20	1,04	0,89
55	-20	951	897	4,85	1,23	1,06
55	-15	1.287	1.040	5,48	1,44	1,24
55	-10	1.679	1.179	6,10	1,66	1,42
55	-5	2.126	1.314	6,70	1,88	1,62
55	0	2.628	1.446	7,29	2,11	1,82
55	5	3.185	1.574	7,85	2,35	2,02
55	7,2	3.448	1.629	8,10	2,46	2,12
55	10	3.798	1.698	8,41	2,60	2,24

60	-25	525	730	4,11	0,84	0,72
60	-20	774	892	4,83	1,01	0,87
60	-15	1.079	1.051	5,53	1,19	1,03
60	-10	1.439	1.206	6,22	1,39	1,19
60	-5	1.854	1.357	6,89	1,59	1,37
60	0	2.324	1.504	7,54	1,80	1,55
60	5	2.850	1.647	8,18	2,01	1,73
60	7,2	3.099	1.709	8,46	2,11	1,81
60	10	3.431	1.787	8,80	2,23	1,92

CECOMAF

Tc °C	Te °C	Cooling Capacity W	Consumption W	Current A	COP W/W	EER kCal/Wh
40	-25	1.155	815	4,49	1,42	1,23
40	-20	1.559	915	4,93	1,70	1,47
40	-15	2.017	1.012	5,36	1,99	1,72
40	-10	2.528	1.106	5,78	2,29	1,98
40	-5	3.093	1.196	6,17	2,59	2,23
40	0	3.711	1.282	6,56	2,89	2,50
40	5	4.383	1.364	6,92	3,21	2,78
40	7,2	4.695	1.400	7,08	3,35	2,90
40	10	5.108	1.443	7,27	3,54	3,06

45	-25	994	794	4,40	1,25	1,08
45	-20	1.357	911	4,91	1,49	1,29
45	-15	1.774	1.024	5,41	1,73	1,50
45	-10	2.244	1.133	5,89	1,98	1,71
45	-5	2.768	1.238	6,36	2,24	1,93
45	0	3.346	1.340	6,81	2,50	2,16
45	5	3.977	1.438	7,25	2,76	2,39
45	7,2	4.271	1.480	7,44	2,89	2,49
45	10	4.661	1.533	7,67	3,04	2,63

50	-25	833	774	4,31	1,08	0,93
50	-20	1.155	906	4,89	1,27	1,10
50	-15	1.531	1.035	5,46	1,48	1,28
50	-10	1.961	1.160	6,01	1,69	1,46
50	-5	2.444	1.281	6,55	1,91	1,65
50	0	2.980	1.398	7,07	2,13	1,84
50	5	3.570	1.512	7,58	2,36	2,04
50	7,2	3.847	1.561	7,80	2,46	2,13
50	10	4.214	1.622	8,07	2,60	2,24

55	-25	671	754	4,22	0,89	0,77
55	-20	953	902	4,87	1,06	0,91
55	-15	1.288	1.046	5,51	1,23	1,06
55	-10	1.677	1.186	6,13	1,41	1,22
55	-5	2.119	1.323	6,74	1,60	1,38
55	0	2.615	1.456	7,33	1,80	1,55
55	5	3.164	1.586	7,91	2,00	1,72
55	7,2	3.423	1.641	8,16	2,09	1,80
55	10	3.767	1.712	8,47	2,20	1,90

60	-25	510	734	4,13	0,69	0,60
60	-20	751	897	4,85	0,84	0,72
60	-15	1.045	1.057	5,56	0,99	0,85
60	-10	1.393	1.213	6,25	1,15	0,99
60	-5	1.795	1.366	6,93	1,31	1,14
60	0	2.250	1.514	7,59	1,49	1,28
60	5	2.758	1.659	8,24	1,66	1,44
60	7,2	2.999	1.722	8,51	1,74	1,50
60	10	3.320	1.801	8,87	1,84	1,59

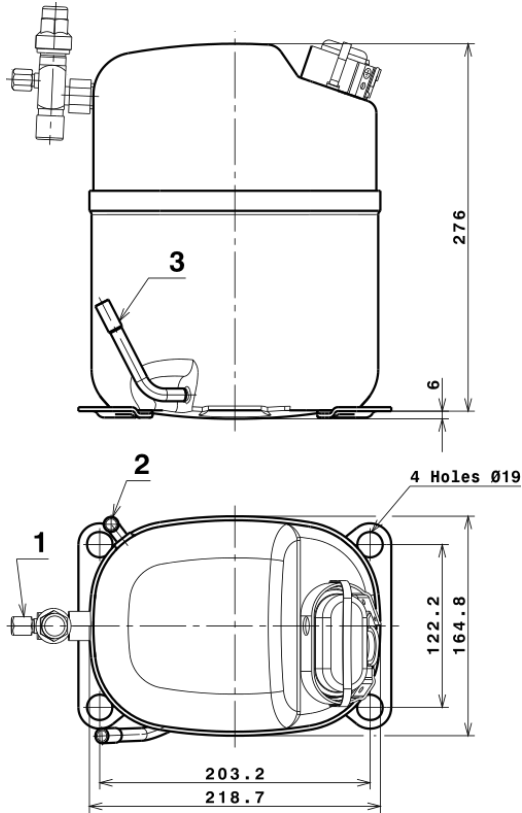
EN12900

X	Cooling Capacity (W)	Consumption (W)	Current (A)	Mass Flow (kg/h)
1	6.626,4288474050	839,8836887440	4,5855895344	133,47312935514
2	194,5149962537	-7,8079139396	-0,0346664307	4,3140542610751
3	-75,3749434503	12,0264425796	0,0535671105	-0,76599232008228
4	1,0132065474	-0,0580428073	-0,0002429642	0,047753076065262
5	-1,7353418606	0,6458090075	0,0028713524	-0,0062323783512773

Equation	$x_1 + x_2Te + x_3Tc + x_4Te^2 + x_5TeTc$
----------	---

Technical Data Sheet

COMPRESSOR DIMENSIONS

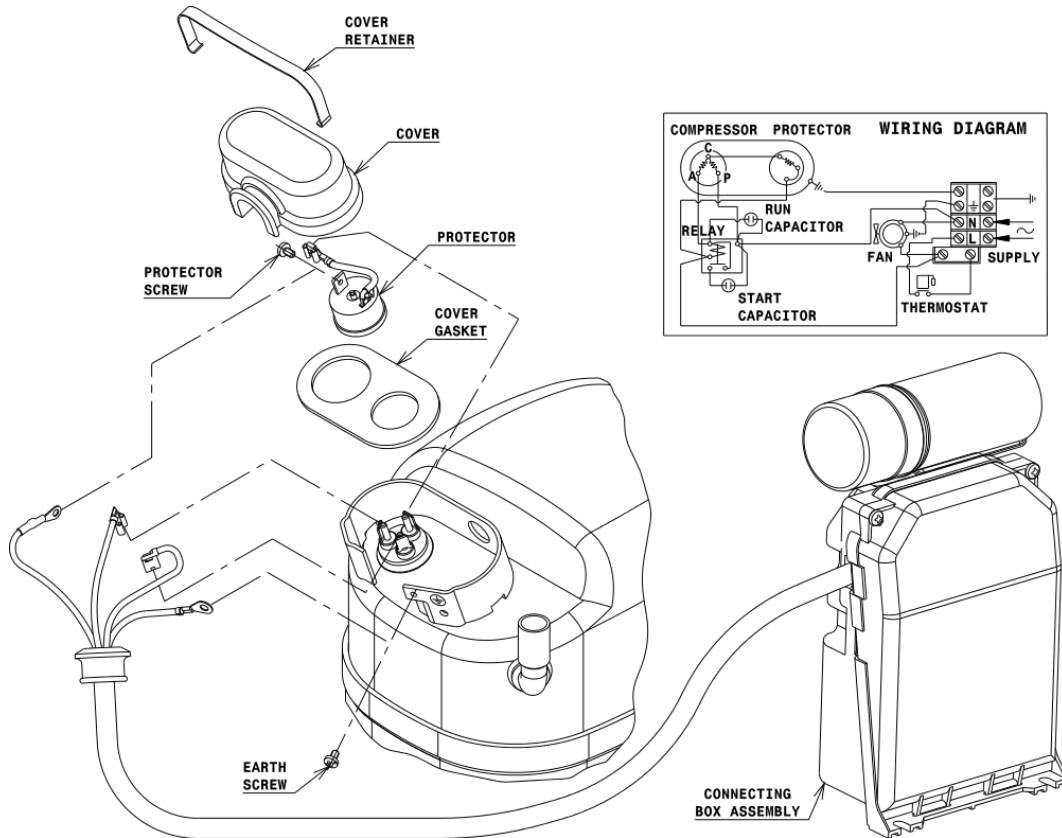


DESIGNATION INTERNAL DIAM.

DESIGNATION	INTERNAL DIAM.
1 Service Valve	5/8" SAE
2 Service	9,7 mm
3 Discharge	8,0 mm

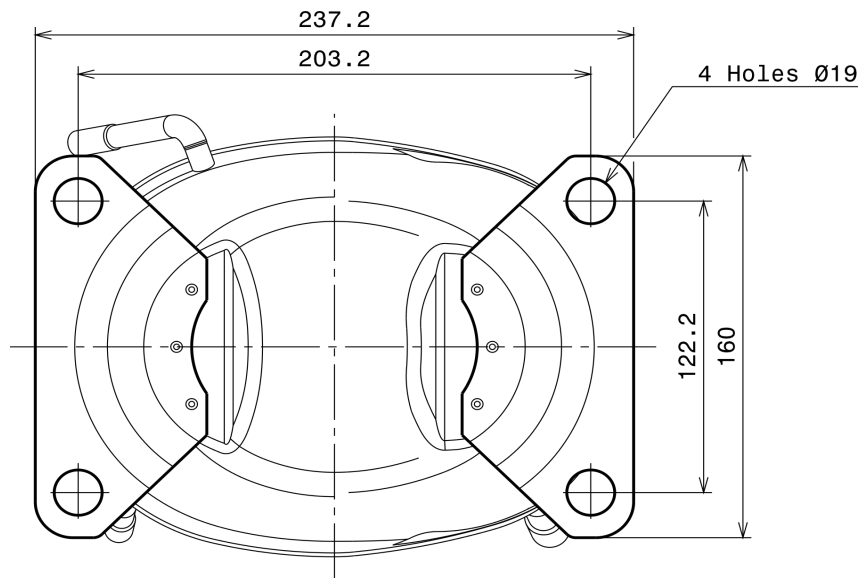
WIRING DIAGRAMS AND ELECTRICAL ASSEMBLY

CSR CONNECTION (EXTERNAL CONNECTING BOX) (S range)



Technical Data Sheet

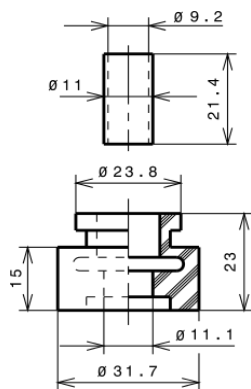
FIXINGS



SILENT BLOCKS (MOUNTING ACCESSORIES)

STANDARD

Ø19 holes (203.2x122.2 net)



SOA

SOA R404A HMBP

