

Technical Data Sheet

Compressor model **MS26FG_T**
 Voltage **200-220/230V 50/60Hz ~1**
 Refrigerant **R404A**

APPLICATION

Application Low Back Pressure
 Refrigerant R404A
 Evaporating Temp. -40,0 °C to -10,0 °C
 Expansion Capillar/Valve
 Comp. Cooling Fan cooled
 Max. ambient temp. 43,0 °C

COMPRESSOR

Displacement 25,93 cm³
 Diameter 39,98 mm
 Stroke 19,07 mm
 Net Weight 22,11 Kg
 Oil type ISO VG 46 ESTER
 Oil charge 887 cm³

MOTOR

Nominal Power 3/4 hp
 Voltage/Frequency 200-220V 50Hz
 Voltage range 170-233 V
 Type CSR
 Phase number 1 PH
 Locked Rotor Amps (LRA) 35,80 A
 Max. Cont. Current (MCC) 6,90 A
 Main W. resist. at 25°C 2,45 Ω
 Start W. resist. at 25°C 5,77 Ω

NOMINAL PERFORMANCE

	ASHRAE	CECOMAF
Cooling Capacity	998 kCal/h	775 W
COP	1,35 W/W	0,95 W/W
EER	1,16 kCal/Wh	0,82 kCal/Wh
Input Power	860 W	815 W
Current	4,80 A	4,58 A

APPROVALS



TEST CYCLE CONDITIONS

	ASHRAE LBP (B)	CECOMAF LBP (A)
Evaporating temp. (T _e)	-23,3 °C	-25,0 °C
Condensing temp. (T _c)	55,0 °C	55,0 °C
Liquid temp. (T _{liq.})	32,0 °C	55,0 °C
Ambient temp. (T _{amb.})	32,0 °C	32,0 °C
Suction temp. (T _{suction})	32,0 °C	32,0 °C
Voltage/Frequency	200 V 50 Hz	200 V 50 Hz

ELECTRICAL COMPONENTS

Starting capacitor	88-108 μF 330 V		
Run capacitor	20 μF 450 V		
Relay	Option 1	Option 2	
Reference	3ARR3 10S3	RVA 3AG..	
Pick-Up	180-195 V	180-195 V	
Drop-Out	40-105 V	40-105 V	
Protector	Option 1		
Reference	T0535		
Current	17,00 A		
Time check	7,5-14 seg		
Disc temp. (Open/Close)	105,00 / 52,00 °C		

ASHRAE

Tc °C	Te °C	Cooling Capacity kCal/h	Consumption W	Current A	COP W/W	EER kCal/Wh
40	-40	380	485	3,06	0,91	0,78
40	-35	612	588	3,51	1,21	1,04
40	-30	878	692	4,00	1,48	1,27
40	-25	1.177	800	4,50	1,71	1,47
40	-23,3	1.287	837	4,68	1,79	1,54
40	-20	1.510	909	5,04	1,93	1,66
40	-15	1.876	1.021	5,61	2,14	1,84
40	-10	2.275	1.135	6,21	2,33	2,00

45	-40	320	465	2,97	0,80	0,69
45	-35	542	576	3,46	1,09	0,94
45	-30	796	689	3,98	1,34	1,16
45	-25	1.085	805	4,53	1,57	1,35
45	-23,3	1.190	844	4,72	1,64	1,41
45	-20	1.406	922	5,11	1,77	1,52
45	-15	1.762	1.043	5,72	1,97	1,69
45	-10	2.150	1.165	6,37	2,15	1,85

50	-40	260	445	2,89	0,68	0,58
50	-35	471	564	3,41	0,97	0,83
50	-30	715	686	3,96	1,21	1,04
50	-25	992	810	4,55	1,43	1,23
50	-23,3	1.094	852	4,76	1,49	1,28
50	-20	1.303	936	5,18	1,62	1,39
50	-15	1.647	1.064	5,84	1,80	1,55
50	-10	2.025	1.195	6,54	1,97	1,69

55	-40	200	425	2,80	0,55	0,47
55	-35	400	553	3,36	0,84	0,72
55	-30	633	682	3,95	1,08	0,93
55	-25	900	815	4,58	1,28	1,10
55	-23,3	998	860	4,80	1,35	1,16
55	-20	1.200	949	5,24	1,47	1,26
55	-15	1.533	1.086	5,95	1,64	1,41
55	-10	1.900	1.225	6,70	1,80	1,55

60	-40	140	405	2,71	0,40	0,35
60	-35	329	541	3,30	0,71	0,61
60	-30	551	679	3,93	0,94	0,81
60	-25	807	820	4,60	1,15	0,98
60	-23,3	902	868	4,84	1,21	1,04
60	-20	1.096	962	5,31	1,33	1,14
60	-15	1.419	1.108	6,07	1,49	1,28
60	-10	1.775	1.255	6,87	1,64	1,41

CECOMAF

Tc °C	Te °C	Cooling Capacity W	Consumption W	Current A	COP W/W	EER kCal/Wh
40	-40	394	485	3,06	0,81	0,70
40	-35	660	588	3,51	1,12	0,97
40	-30	953	692	4,00	1,38	1,19
40	-25	1.273	800	4,50	1,59	1,38
40	-23,3	1.389	837	4,68	1,66	1,43
40	-20	1.622	909	5,04	1,78	1,54
40	-15	1.998	1.021	5,61	1,96	1,69
40	-10	2.401	1.135	6,21	2,12	1,83

45	-40	320	465	2,97	0,69	0,60
45	-35	555	576	3,46	0,96	0,83
45	-30	817	689	3,98	1,19	1,02
45	-25	1.107	805	4,53	1,38	1,19
45	-23,3	1.212	844	4,72	1,44	1,24
45	-20	1.425	922	5,11	1,54	1,33
45	-15	1.770	1.043	5,72	1,70	1,47
45	-10	2.143	1.165	6,37	1,84	1,59

50	-40	247	445	2,89	0,55	0,48
50	-35	451	564	3,41	0,80	0,69
50	-30	682	686	3,96	0,99	0,86
50	-25	941	810	4,55	1,16	1,00
50	-23,3	1.036	852	4,76	1,22	1,05
50	-20	1.228	936	5,18	1,31	1,13
50	-15	1.542	1.064	5,84	1,45	1,25
50	-10	1.884	1.195	6,54	1,58	1,36

55	-40	173	425	2,80	0,41	0,35
55	-35	346	553	3,36	0,63	0,54
55	-30	547	682	3,95	0,80	0,69
55	-25	775	815	4,58	0,95	0,82
55	-23,3	859	860	4,80	1,00	0,86
55	-20	1.031	949	5,24	1,09	0,94
55	-15	1.315	1.086	5,95	1,21	1,05
55	-10	1.626	1.225	6,70	1,33	1,15

60	-40	99	405	2,71	0,24	0,21
60	-35	241	541	3,30	0,45	0,39
60	-30	411	679	3,93	0,61	0,52
60	-25	609	820	4,60	0,74	0,64
60	-23,3	682	868	4,84	0,79	0,68
60	-20	834	962	5,31	0,87	0,75
60	-15	1.087	1.108	6,07	0,98	0,85
60	-10	1.367	1.255	6,87	1,09	0,94

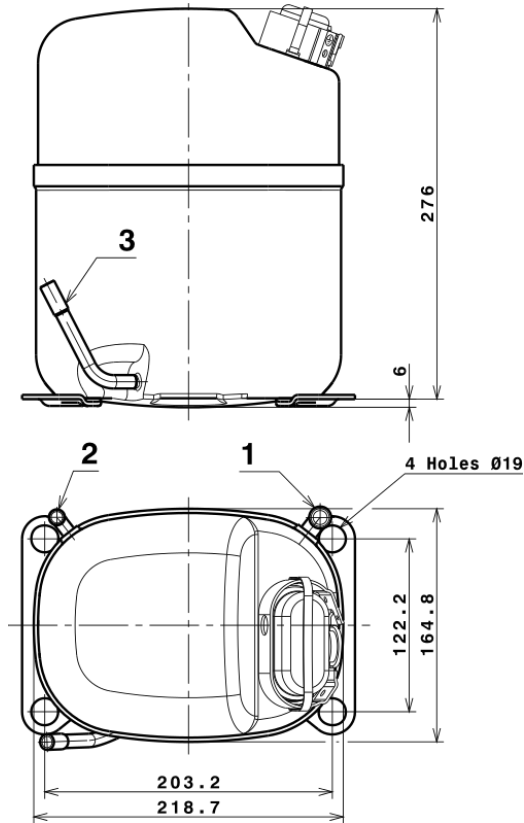
EN12900

X	Cooling Capacity (W)	Consumption (W)	Current (A)	Mass Flow (kg/h)
1	5.774,7393055338	1.027,4291588044	5,7636134752	127,26552767604
2	141,3551848088	11,3858547531	0,0825798853	3,4458702218751
3	-64,7774058558	9,5776121278	0,0509430702	-0,86477185904382
4	0,5231339532	0,0545537483	0,0008434863	0,021565455473234
5	-1,2588332864	0,3416544065	0,0017143834	-0,013259583435535

Equation	$x_1 + x_2Te + x_3Tc + x_4Te^2 + x_5TeTc$
----------	---

Technical Data Sheet

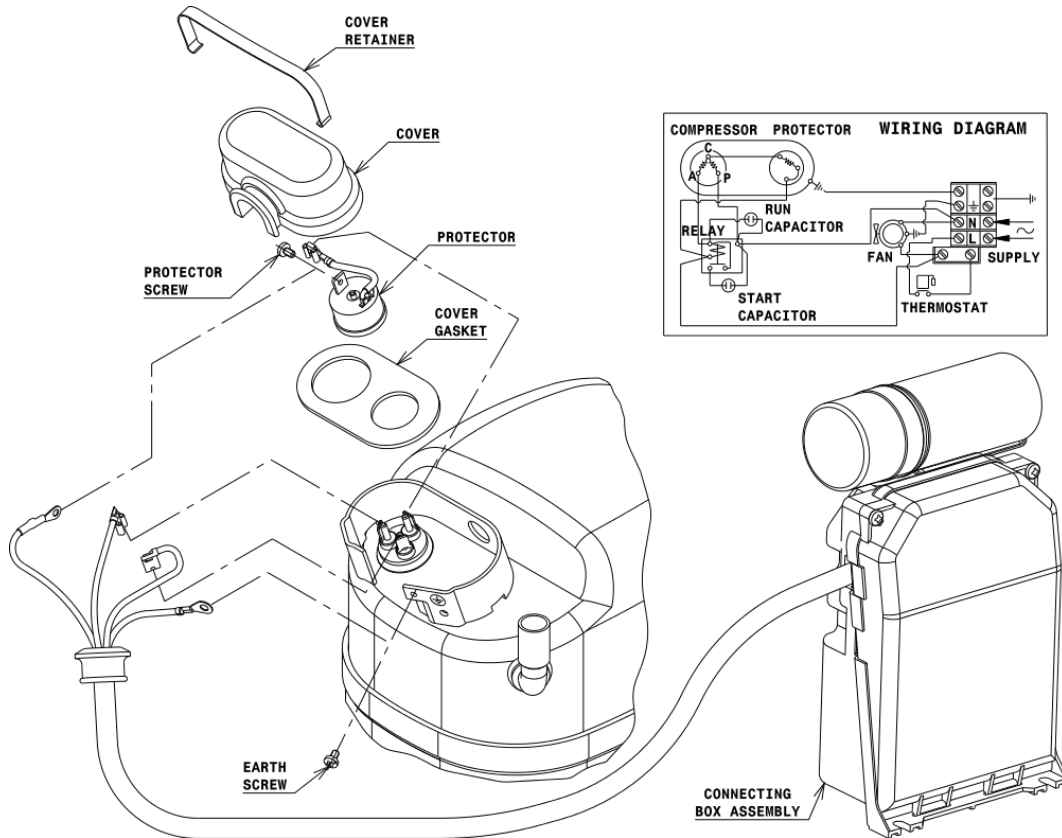
COMPRESSOR DIMENSIONS



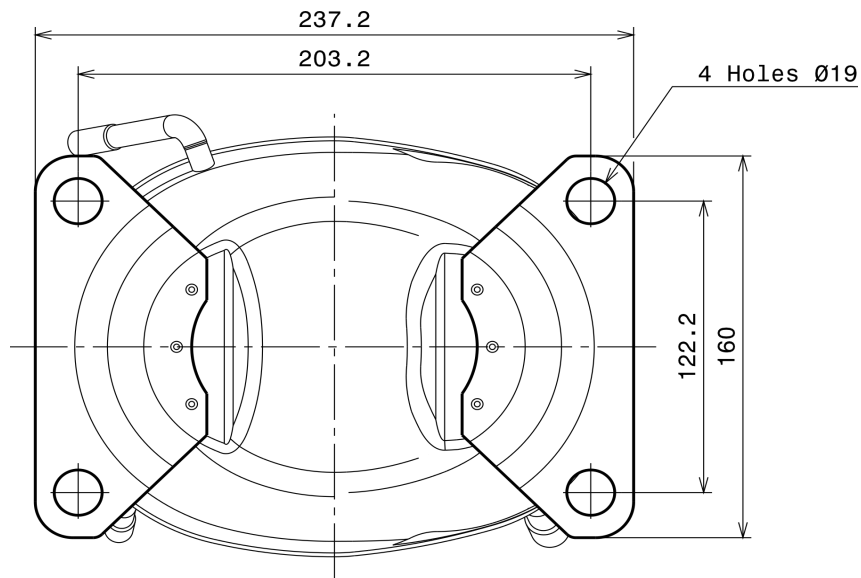
	DESIGNATION	INTERNAL DIAM.
1	Suction	12,7 mm
2	Service	9,7 mm
3	Discharge	8,0 mm

WIRING DIAGRAMS AND ELECTRICAL ASSEMBLY

CSR CONNECTION (EXTERNAL CONNECTING BOX) (S range)



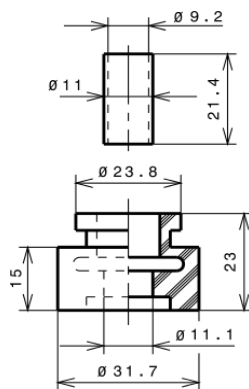
FIXINGS



SILENT BLOCKS (MOUNTING ACCESSORIES)

STANDARD

Ø19 holes (203.2x122.2 net)



SOA

SOA R404A LBP

