

Technical Data Sheet

Compressor model **MS26FF_V**
 Voltage **208-230V 60Hz ~1**
 Refrigerant **R404A**

APPLICATION

Application	Low Back Pressure
Refrigerant	R404A
Evaporating Temp.	-40,0 °C to -10,0 °C
Expansion	Capillar/Valve
Comp. Cooling	Fan cooled
Max. ambient temp.	43,0 °C

COMPRESSOR

Displacement	25,93 cm ³
Diameter	39,98 mm
Stroke	20,65 mm
Net Weight	22,60 Kg
Oil type	ISO VG 46 ESTER
Oil charge	887 cm ³

MOTOR

Nominal Power	3/4 hp
Voltage/Frequency	208-230V 60Hz
Voltage range	177-253 V
Type	CSR
Phase number	1 PH
Locked Rotor Amps (LRA)	42,00 A
Max. Cont. Current (MCC)	9,50 A
Main W. resist. at 25°C	1,38 Ω
Start W. resist. at 25°C	4,87 Ω

NOMINAL PERFORMANCE

	ASHRAE	CECOMAF
Cooling Capacity	1.170 kCal/h	909 W
COP	1,30 W/W	0,91 W/W
EER	1,12 kCal/Wh	0,79 kCal/Wh
Input Power	1.045 W	994 W
Current	4,80 A	4,58 A

APPROVALS

TEST CYCLE CONDITIONS

	ASHRAE LBP (B)	CECOMAF LBP (A)
Evaporating temp. (T _e)	-23,3 °C	-25,0 °C
Condensing temp. (T _c)	55,0 °C	55,0 °C
Liquid temp. (T _{liq.})	32,0 °C	55,0 °C
Ambient temp. (T _{amb.})	32,0 °C	32,0 °C
Suction temp. (T _{suction})	32,0 °C	32,0 °C
Voltage/Frequency	230 V 60 Hz	230 V 60 Hz

ELECTRICAL COMPONENTS

Starting capacitor	88-108 μF 330 V		
Run capacitor	20 μF 450 V		
Relay	Option 1	Option 2	
Reference	3ARR3 10S3	RVA 3AG..	
Pick-Up	180-195 V	180-195 V	
Drop-Out	40-105 V	40-105 V	
Protector	Option 1	Option 2	
Reference	MST16AHN	T0258	
Current	23,00 A	23,50 A	
Time check	7,5-14 seg	7,5-14 seg	
Disc temp. (Open/Close)	120,00 / 69,00 °C	120,00 / 52,00 °C	

ASHRAE

Tc °C	Te °C	Cooling Capacity kCal/h	Consumption W	Current A	COP W/W	EER kCal/Wh
40	-40	444	624	2,95	0,83	0,71
40	-35	717	730	3,42	1,14	0,98
40	-30	1.029	843	3,92	1,42	1,22
40	-25	1.380	961	4,44	1,67	1,44
40	-23,3	1.508	1.003	4,62	1,75	1,50
40	-20	1.769	1.085	4,97	1,90	1,63
40	-15	2.196	1.215	5,53	2,10	1,81
40	-10	2.663	1.350	6,10	2,29	1,97

45	-40	374	605	2,87	0,72	0,62
45	-35	635	722	3,39	1,02	0,88
45	-30	934	844	3,93	1,29	1,11
45	-25	1.272	972	4,48	1,52	1,31
45	-23,3	1.395	1.017	4,68	1,60	1,37
45	-20	1.648	1.106	5,06	1,73	1,49
45	-15	2.063	1.245	5,66	1,93	1,66
45	-10	2.516	1.390	6,27	2,11	1,81

50	-40	304	587	2,78	0,60	0,52
50	-35	552	713	3,35	0,90	0,77
50	-30	838	845	3,93	1,15	0,99
50	-25	1.163	983	4,53	1,38	1,18
50	-23,3	1.283	1.031	4,74	1,45	1,24
50	-20	1.527	1.126	5,15	1,58	1,36
50	-15	1.929	1.275	5,78	1,76	1,51
50	-10	2.370	1.430	6,43	1,93	1,66

55	-40	234	568	2,70	0,48	0,41
55	-35	469	704	3,31	0,77	0,67
55	-30	743	846	3,93	1,02	0,88
55	-25	1.055	994	4,58	1,24	1,06
55	-23,3	1.170	1.045	4,80	1,30	1,12
55	-20	1.406	1.147	5,24	1,43	1,23
55	-15	1.795	1.306	5,91	1,60	1,38
55	-10	2.223	1.470	6,60	1,76	1,51

60	-40	164	550	2,62	0,35	0,30
60	-35	386	695	3,27	0,65	0,56
60	-30	647	847	3,94	0,89	0,76
60	-25	947	1.004	4,62	1,10	0,94
60	-23,3	1.057	1.059	4,86	1,16	1,00
60	-20	1.285	1.167	5,32	1,28	1,10
60	-15	1.661	1.336	6,04	1,45	1,24
60	-10	2.077	1.510	6,77	1,60	1,38

CECOMAF

Tc °C	Te °C	Cooling Capacity W	Consumption W	Current A	COP W/W	EER kCal/Wh
40	-40	461	624	2,95	0,74	0,64
40	-35	773	730	3,42	1,06	0,91
40	-30	1.116	843	3,92	1,32	1,14
40	-25	1.492	961	4,44	1,55	1,34
40	-23,3	1.627	1.003	4,62	1,62	1,40
40	-20	1.900	1.085	4,97	1,75	1,51
40	-15	2.339	1.215	5,53	1,93	1,66
40	-10	2.810	1.350	6,10	2,08	1,80

45	-40	375	605	2,87	0,62	0,53
45	-35	650	722	3,39	0,90	0,78
45	-30	958	844	3,93	1,14	0,98
45	-25	1.298	972	4,48	1,33	1,15
45	-23,3	1.420	1.017	4,68	1,40	1,21
45	-20	1.669	1.106	5,06	1,51	1,30
45	-15	2.072	1.245	5,66	1,66	1,44
45	-10	2.508	1.390	6,27	1,80	1,56

50	-40	288	587	2,78	0,49	0,42
50	-35	528	713	3,35	0,74	0,64
50	-30	800	845	3,93	0,95	0,82
50	-25	1.103	983	4,53	1,12	0,97
50	-23,3	1.214	1.031	4,74	1,18	1,02
50	-20	1.439	1.126	5,15	1,28	1,10
50	-15	1.806	1.275	5,78	1,42	1,22
50	-10	2.205	1.430	6,43	1,54	1,33

55	-40	202	568	2,70	0,36	0,31
55	-35	406	704	3,31	0,58	0,50
55	-30	641	846	3,93	0,76	0,66
55	-25	909	994	4,58	0,91	0,79
55	-23,3	1.007	1.045	4,80	0,96	0,83
55	-20	1.208	1.147	5,24	1,05	0,91
55	-15	1.539	1.306	5,91	1,18	1,02
55	-10	1.902	1.470	6,60	1,29	1,12

60	-40	116	550	2,62	0,21	0,18
60	-35	284	695	3,27	0,41	0,35
60	-30	483	847	3,94	0,57	0,49
60	-25	714	1.004	4,62	0,71	0,61
60	-23,3	800	1.059	4,86	0,76	0,65
60	-20	978	1.167	5,32	0,84	0,72
60	-15	1.273	1.336	6,04	0,95	0,82
60	-10	1.600	1.510	6,77	1,06	0,92

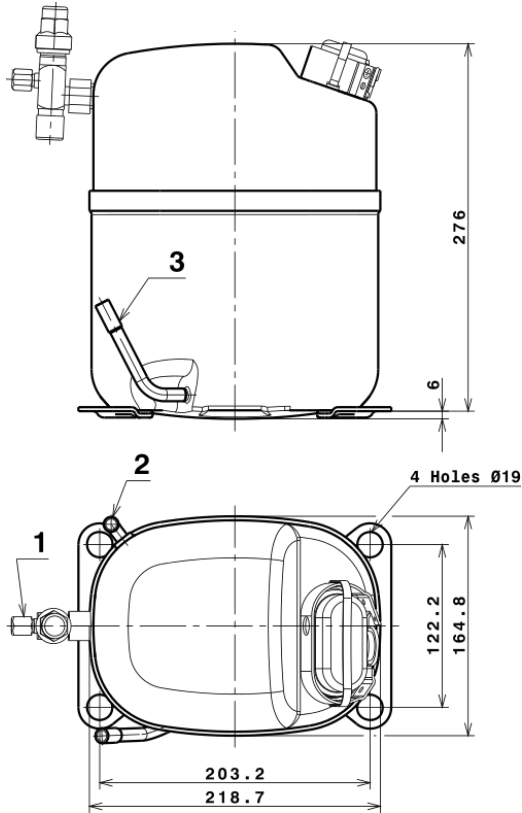
EN12900

X	Cooling Capacity (W)	Consumption (W)	Current (A)	Mass Flow (kg/h)
1	6.757,2296215155	1.196,8827228943	5,4265479194	148,90808445937
2	165,1138038532	15,1618530796	0,0576522368	4,0215098098423
3	-75,8664482491	12,2136504971	0,0511795231	-1,0140763666048
4	0,6034568431	0,1238582543	0,0003548157	0,024934798015213
5	-1,4757209766	0,3998893079	0,0017029945	-0,015598819795429

Equation	$x_1 + x_2Te + x_3Tc + x_4Te^2 + x_5TeTc$
----------	---

Technical Data Sheet

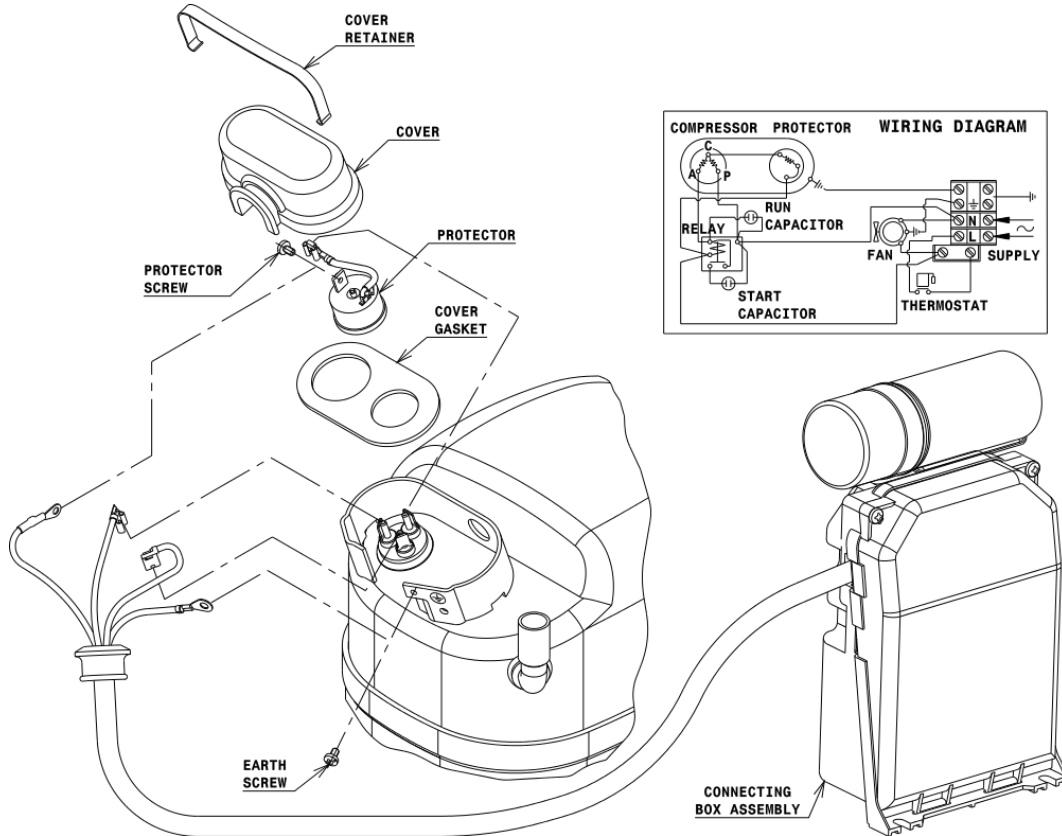
COMPRESSOR DIMENSIONS



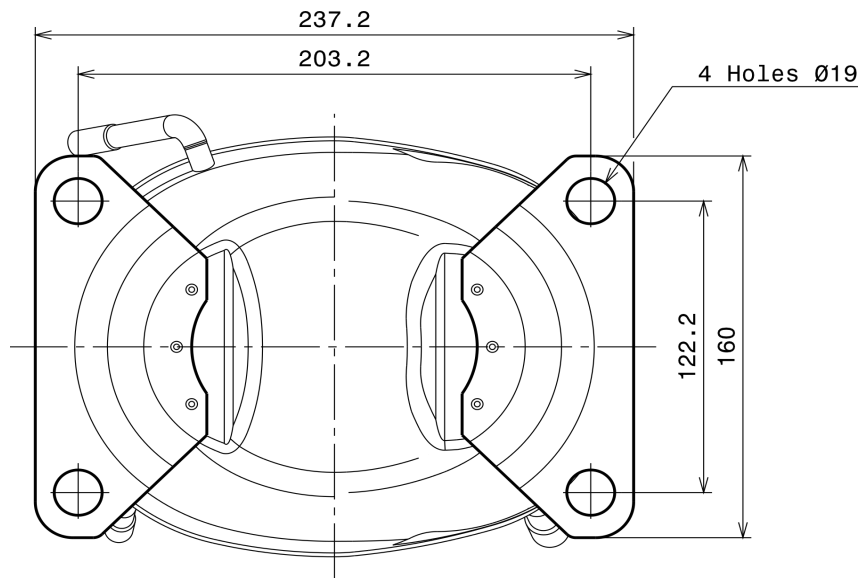
	DESIGNATION	INTERNAL DIAM.
1	Service Valve	1/2" SAE
2	Service	9,7 mm
3	Discharge	8,0 mm

WIRING DIAGRAMS AND ELECTRICAL ASSEMBLY

CSR CONNECTION (EXTERNAL CONNECTING BOX) (S range)



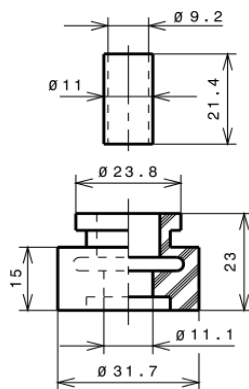
FIXINGS



SILENT BLOCKS (MOUNTING ACCESSORIES)

STANDARD

Ø19 holes (203.2x122.2 net)



SOA

SOA R404A LBP

