

Technical Data Sheet

Compressor model **MS26F3_V**
 Voltage **400/440V 50/60Hz ~3**
 Refrigerant **R404A**

APPLICATION

Application Low Back Pressure
 Refrigerant R404A
 Evaporating Temp. -40,0 °C to -10,0 °C
 Expansion Capillar/Valve
 Comp. Cooling Fan cooled
 Max. ambient temp. 43,0 °C

COMPRESSOR

Displacement 25,93 cm³
 Diameter 39,98 mm
 Stroke 20,65 mm
 Net Weight 20,80 Kg
 Oil type ISO VG 46 ESTER
 Oil charge 887 cm³

MOTOR

Nominal Power 3/4 hp
 Voltage/Frequency 400V 50Hz
 Voltage range 340-440 V
 Type 3PHASE
 Phase number 3 PH
 Locked Rotor Amps (LRA) 15,70 A
 Max. Cont. Current (MCC) 2,90 A
 Main W. resist. at 25°C 10,18 Ω
 Start W. resist. at 25°C 14,03 Ω

NOMINAL PERFORMANCE

	ASHRAE	CECOMAF
Cooling Capacity	1.000 kCal/h	777 W
COP	1,35 W/W	0,95 W/W
EER	1,16 kCal/Wh	0,82 kCal/Wh
Input Power	860 W	815 W
Current	2,20 A	2,16 A

APPROVALS



TEST CYCLE CONDITIONS

	ASHRAE LBP (B)	CECOMAF LBP (A)
Evaporating temp. (T _e)	-23,3 °C	-25,0 °C
Condensing temp. (T _c)	55,0 °C	55,0 °C
Liquid temp. (T _{liq.})	32,0 °C	55,0 °C
Ambient temp. (T _{amb.})	32,0 °C	32,0 °C
Suction temp. (T _{suction})	32,0 °C	32,0 °C
Voltage/Frequency	400 V 50 Hz	400 V 50 Hz

ELECTRICAL COMPONENTS

Relay				
Reference				
Voltage				
Resistance				
Protector	Option 1			
Reference	INTERNAL			
Current				
Time check				
Disc temp. (Open/Close)				

Technical Data Sheet

ASHRAE

Tc °C	Te °C	Cooling Capacity kCal/h	Consumption W	Current A	COP W/W	EER kCal/Wh
40	-40	380	485	1,86	0,91	0,78
40	-35	613	588	1,95	1,21	1,04
40	-30	880	692	2,05	1,48	1,27
40	-25	1.179	800	2,15	1,72	1,47
40	-23,3	1.289	837	2,18	1,79	1,54
40	-20	1.512	909	2,24	1,93	1,66
40	-15	1.877	1.021	2,34	2,14	1,84
40	-10	2.275	1.135	2,43	2,33	2,00

45	-40	320	465	1,84	0,80	0,69
45	-35	543	576	1,94	1,10	0,94
45	-30	798	689	2,05	1,35	1,16
45	-25	1.087	805	2,15	1,57	1,35
45	-23,3	1.192	844	2,19	1,64	1,41
45	-20	1.408	922	2,25	1,78	1,53
45	-15	1.763	1.043	2,35	1,97	1,69
45	-10	2.150	1.165	2,45	2,15	1,85

50	-40	260	445	1,82	0,68	0,58
50	-35	472	564	1,93	0,97	0,84
50	-30	717	686	2,05	1,22	1,05
50	-25	994	810	2,16	1,43	1,23
50	-23,3	1.096	852	2,19	1,50	1,29
50	-20	1.305	936	2,26	1,62	1,39
50	-15	1.648	1.064	2,37	1,80	1,55
50	-10	2.025	1.195	2,48	1,97	1,69

55	-40	200	425	1,80	0,55	0,47
55	-35	401	553	1,92	0,84	0,73
55	-30	635	682	2,04	1,08	0,93
55	-25	902	815	2,16	1,29	1,11
55	-23,3	1.000	860	2,20	1,35	1,16
55	-20	1.202	949	2,28	1,47	1,27
55	-15	1.534	1.086	2,39	1,64	1,41
55	-10	1.900	1.225	2,50	1,80	1,55

60	-40	140	405	1,78	0,40	0,35
60	-35	330	541	1,91	0,71	0,61
60	-30	553	679	2,04	0,95	0,81
60	-25	809	820	2,16	1,15	0,99
60	-23,3	904	868	2,21	1,21	1,04
60	-20	1.098	962	2,29	1,33	1,14
60	-15	1.420	1.108	2,41	1,49	1,28
60	-10	1.775	1.255	2,52	1,64	1,41

CECOMAF

Tc °C	Te °C	Cooling Capacity W	Consumption W	Current A	COP W/W	EER kCal/Wh
40	-40	394	485	1,86	0,81	0,70
40	-35	661	588	1,95	1,12	0,97
40	-30	954	692	2,05	1,38	1,19
40	-25	1.275	800	2,15	1,59	1,38
40	-23,3	1.390	837	2,18	1,66	1,44
40	-20	1.623	909	2,24	1,79	1,54
40	-15	1.999	1.021	2,34	1,96	1,69
40	-10	2.401	1.135	2,43	2,12	1,83

45	-40	320	465	1,84	0,69	0,60
45	-35	556	576	1,94	0,97	0,83
45	-30	819	689	2,05	1,19	1,03
45	-25	1.109	805	2,15	1,38	1,19
45	-23,3	1.214	844	2,19	1,44	1,24
45	-20	1.426	922	2,25	1,55	1,34
45	-15	1.771	1.043	2,35	1,70	1,47
45	-10	2.143	1.165	2,45	1,84	1,59

50	-40	247	445	1,82	0,55	0,48
50	-35	452	564	1,93	0,80	0,69
50	-30	684	686	2,05	1,00	0,86
50	-25	943	810	2,16	1,16	1,01
50	-23,3	1.037	852	2,19	1,22	1,05
50	-20	1.229	936	2,26	1,31	1,14
50	-15	1.543	1.064	2,37	1,45	1,25
50	-10	1.884	1.195	2,48	1,58	1,36

55	-40	173	425	1,80	0,41	0,35
55	-35	347	553	1,92	0,63	0,54
55	-30	548	682	2,04	0,80	0,69
55	-25	777	815	2,16	0,95	0,82
55	-23,3	861	860	2,20	1,00	0,86
55	-20	1.033	949	2,28	1,09	0,94
55	-15	1.316	1.086	2,39	1,21	1,05
55	-10	1.626	1.225	2,50	1,33	1,15

60	-40	99	405	1,78	0,24	0,21
60	-35	242	541	1,91	0,45	0,39
60	-30	413	679	2,04	0,61	0,53
60	-25	611	820	2,16	0,75	0,64
60	-23,3	684	868	2,21	0,79	0,68
60	-20	836	962	2,29	0,87	0,75
60	-15	1.088	1.108	2,41	0,98	0,85
60	-10	1.367	1.255	2,52	1,09	0,94

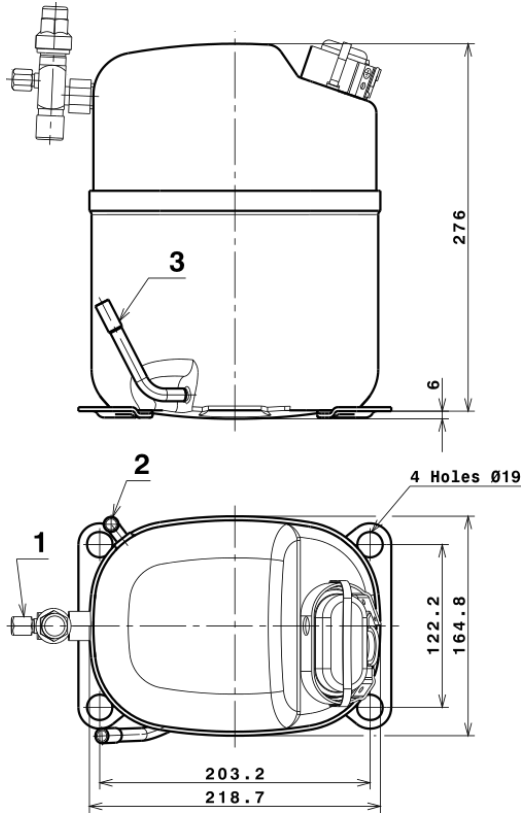
EN12900

X	Cooling Capacity (W)	Consumption (W)	Current (A)	Mass Flow (kg/h)
1	5.771,7957561027	1.027,4291588044	2,3228254564	127,1640627569
2	140,9872411299	11,3858547531	0,0056139745	3,4331871069832
3	-64,7774058558	9,5776121278	0,0076974130	-0,86477185904382
4	0,5157750796	0,0545537483	-0,0000450304	0,021311793175396
5	-1,2588332864	0,3416544065	0,0002911063	-0,013259583435535

Equation	$x_1 + x_2Te + x_3Tc + x_4Te^2 + x_5TeTc$
----------	---

Technical Data Sheet

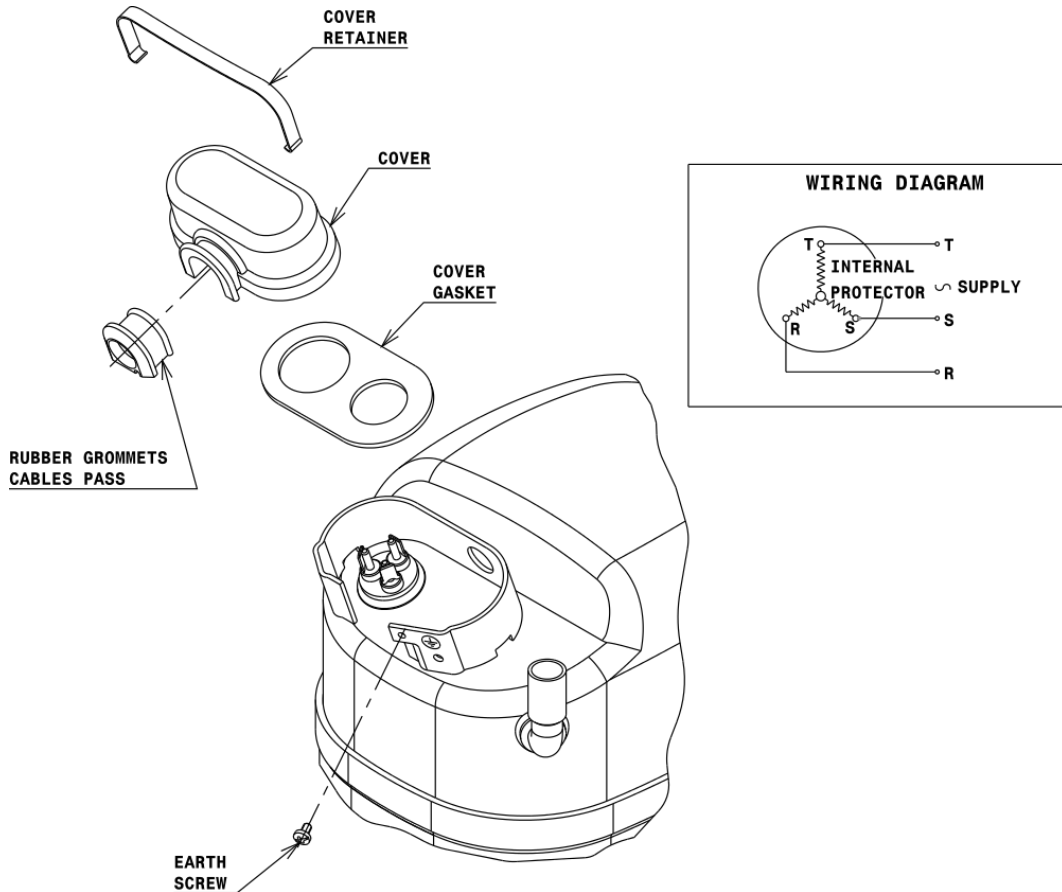
COMPRESSOR DIMENSIONS



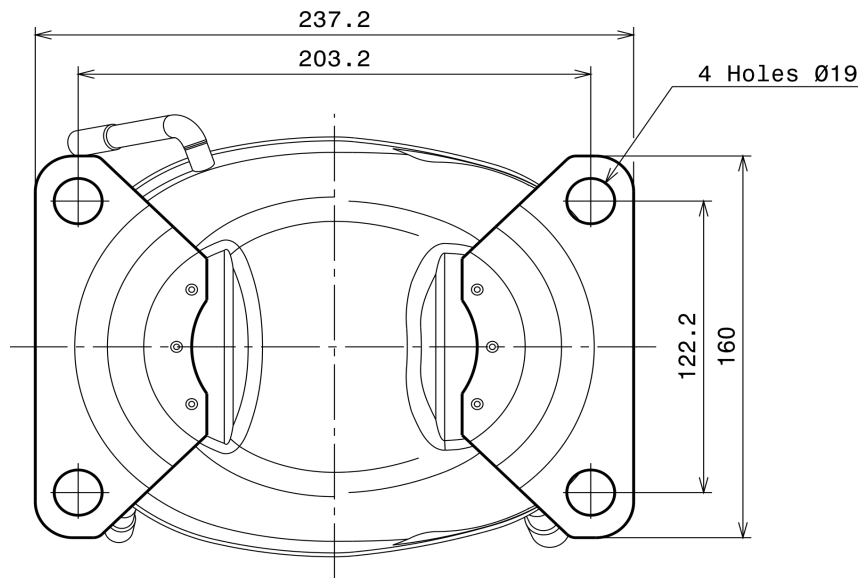
	DESIGNATION	INTERNAL DIAM.
1	Service Valve	5/8" SAE
2	Service	9,7 mm
3	Discharge	8,0 mm

WIRING DIAGRAMS AND ELECTRICAL ASSEMBLY

3PH CONNECTION (S range)



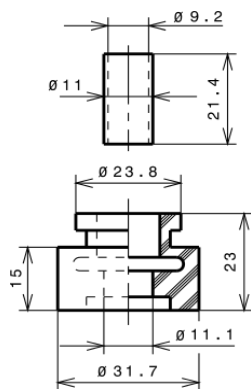
FIXINGS



SILENT BLOCKS (MOUNTING ACCESSORIES)

STANDARD

Ø19 holes (203.2x122.2 net)



SOA

SOA R404A LBP

