

Technical Data Sheet

Compressor model **MLY90LAB**
 Voltage **220-240V 50Hz ~1**
 Refrigerant **R404A**

APPLICATION		COMPRESSOR		MOTOR	
Application	Low Back Pressure	Displacement	9,09 cm ³	Nominal Power	1/3 hp
Refrigerant	R404A	Diameter	24,29 mm	Voltage/Frequency	220-240V 50Hz
Evaporating Temp.	-40,0 °C to -10,0 °C	Stroke	19,62 mm	Voltage range	198-255 V
Expansion	Capillar/Valve	Net Weight	10,45 Kg	Type	CSR
Comp. Cooling	Fan cooled	Oil type	ISO VG 32 ESTER	Phase number	1 PH
Max. ambient temp.	43,0 °C	Oil charge	400 cm ³	Locked Rotor Amps (LRA)	11,50 A
				Max. Cont. Current (MCC)	3,20 A
				Main W. resist. at 25°C	7,26 Ω
				Start W. resist. at 25°C	10,48 Ω

NOMINAL PERFORMANCE

	ASHRAE	CECOMAF
Cooling Capacity	395 kCal/h	311 W
COP	1,38 W/W	0,98 W/W
EER	1,19 kCal/Wh	0,85 kCal/Wh
Input Power	333 W	318 W
Current	1,75 A	1,69 A

APPROVALS



TEST CYCLE CONDITIONS

	ASHRAE LBP (B)	CECOMAF LBP (A)
Evaporating temp. (T _e)	-23,3 °C	-25,0 °C
Condensing temp. (T _c)	55,0 °C	55,0 °C
Liquid temp. (T _{liq.})	32,0 °C	55,0 °C
Ambient temp. (T _{amb.})	32,0 °C	32,0 °C
Suction temp. (T _{suction})	32,0 °C	32,0 °C
Voltage/Frequency	220 V 50 Hz	220 V 50 Hz

ELECTRICAL COMPONENTS

Starting capacitor	64- 77 μF 330 V			
Run capacitor	10 μF 420 V			
Relay	Option 1			
Reference	2014 145. + NTC15Ω			
Pick-Up	7,00 A			
Drop-Out	5,90 A			
Protector	Option 1			
Reference	T0269			
Current	9,60 A			
Time check	7,5-14 seg			
Disc temp. (Open/Close)	105,00 / 52,00 °C			

ASHRAE

Tc °C	Te °C	Cooling Capacity kCal/h	Consumption W	Current A	COP W/W	EER kCal/Wh
40	-40	170	211	1,25	0,94	0,81
40	-35	240	242	1,37	1,16	0,99
40	-30	326	275	1,51	1,38	1,18
40	-25	425	310	1,65	1,60	1,37
40	-23,3	463	322	1,71	1,67	1,43
40	-20	540	347	1,81	1,81	1,55
40	-15	669	387	1,98	2,01	1,73
40	-10	813	429	2,17	2,21	1,90

45	-40	160	207	1,23	0,90	0,77
45	-35	227	240	1,36	1,10	0,94
45	-30	308	275	1,51	1,30	1,12
45	-25	404	313	1,66	1,50	1,29
45	-23,3	440	326	1,72	1,57	1,35
45	-20	515	352	1,83	1,70	1,46
45	-15	640	394	2,02	1,89	1,62
45	-10	780	438	2,21	2,07	1,78

50	-40	150	203	1,22	0,86	0,74
50	-35	213	238	1,36	1,04	0,89
50	-30	291	276	1,51	1,23	1,05
50	-25	383	316	1,68	1,41	1,21
50	-23,3	418	329	1,73	1,47	1,27
50	-20	490	357	1,85	1,59	1,37
50	-15	611	401	2,05	1,77	1,52
50	-10	748	448	2,26	1,94	1,67

55	-40	140	199	1,20	0,82	0,70
55	-35	199	237	1,35	0,98	0,84
55	-30	273	276	1,51	1,15	0,99
55	-25	362	318	1,69	1,32	1,14
55	-23,3	395	333	1,75	1,38	1,19
55	-20	465	362	1,88	1,49	1,28
55	-15	583	409	2,08	1,66	1,43
55	-10	715	457	2,30	1,82	1,56

60	-40	130	195	1,18	0,78	0,67
60	-35	185	235	1,34	0,92	0,79
60	-30	256	277	1,51	1,07	0,92
60	-25	340	321	1,70	1,23	1,06
60	-23,3	372	337	1,77	1,29	1,11
60	-20	440	367	1,90	1,39	1,20
60	-15	554	416	2,11	1,55	1,33
60	-10	683	467	2,34	1,70	1,46

CECOMAF

Tc °C	Te °C	Cooling Capacity W	Consumption W	Current A	COP W/W	EER kCal/Wh
40	-40	180	211	1,25	0,85	0,74
40	-35	263	242	1,37	1,09	0,94
40	-30	358	275	1,51	1,30	1,12
40	-25	465	310	1,65	1,50	1,30
40	-23,3	504	322	1,71	1,56	1,35
40	-20	585	347	1,81	1,68	1,45
40	-15	716	387	1,98	1,85	1,60
40	-10	860	429	2,17	2,01	1,73

45	-40	160	207	1,23	0,77	0,67
45	-35	233	240	1,36	0,97	0,84
45	-30	317	275	1,51	1,15	0,99
45	-25	414	313	1,66	1,32	1,14
45	-23,3	450	326	1,72	1,38	1,19
45	-20	523	352	1,83	1,48	1,28
45	-15	644	394	2,02	1,63	1,41
45	-10	777	438	2,21	1,77	1,53

50	-40	141	203	1,22	0,69	0,60
50	-35	202	238	1,36	0,85	0,73
50	-30	276	276	1,51	1,00	0,87
50	-25	363	316	1,68	1,15	0,99
50	-23,3	395	329	1,73	1,20	1,04
50	-20	461	357	1,85	1,29	1,11
50	-15	572	401	2,05	1,42	1,23
50	-10	695	448	2,26	1,55	1,34

55	-40	121	199	1,20	0,61	0,53
55	-35	172	237	1,35	0,73	0,63
55	-30	236	276	1,51	0,85	0,74
55	-25	311	318	1,69	0,98	0,85
55	-23,3	340	333	1,75	1,02	0,88
55	-20	399	362	1,88	1,10	0,95
55	-15	500	409	2,08	1,22	1,06
55	-10	612	457	2,30	1,34	1,16

60	-40	101	195	1,18	0,52	0,45
60	-35	142	235	1,34	0,61	0,52
60	-30	195	277	1,51	0,70	0,61
60	-25	260	321	1,70	0,81	0,70
60	-23,3	285	337	1,77	0,85	0,73
60	-20	338	367	1,90	0,92	0,79
60	-15	427	416	2,11	1,03	0,89
60	-10	529	467	2,34	1,13	0,98

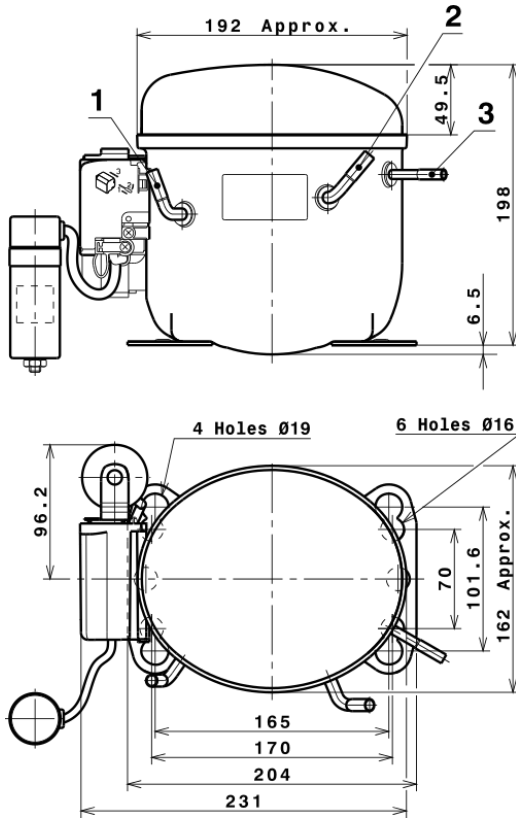
EN12900

X	Cooling Capacity (W)	Consumption (W)	Current (A)	Mass Flow (kg/h)
1	1.991,9335646110	418,5343997136	2,1396816987	42,864178391175
2	50,7818880745	6,1249357261	0,0307074248	1,2664380268227
3	-21,1530029751	2,8739107910	0,0130466602	-0,23676635017068
4	0,2314469662	0,0467770627	0,0003023821	0,0092321221742247
5	-0,4306352175	0,0922905904	0,0004070047	-0,0045113416684744

Equation	$x_1 + x_2Te + x_3Tc + x_4Te^2 + x_5TeTc$
----------	---

Technical Data Sheet

COMPRESSOR DIMENSIONS



DESIGNATION INTERNAL DIAM.

1	Suction	6,5 mm
2	Service	6,5 mm
3	Discharge	4,9 mm

WIRING DIAGRAMS AND ELECTRICAL ASSEMBLY

CSR CONNECTION (CURRENT RELAY + NTC) (L, P ranges)



Technical Data Sheet

FIXINGS



SILENT BLOCKS (MOUNTING ACCESSORIES)

STANDARD

Ø16 holes (170x70 net)



AMERICAN FEET

Ø19 holes (165x101.6 net)



SNAP-ON

Ø16 holes (170x70 net)



SOA

SOA R404A LBP

