

Technical Data Sheet

Compressor model **MLY60LAa**
 Voltage **220-240V 50Hz ~1**
 Refrigerant **R404A**

APPLICATION

Application Low Back Pressure
 Refrigerant R404A
 Evaporating Temp. -40,0 °C to -10,0 °C
 Expansion Capillar/Valve
 Comp. Cooling Fan cooled
 Max. ambient temp. 43,0 °C

COMPRESSOR

Displacement 5,98 cm³
 Diameter 20,88 mm
 Stroke 17,47 mm
 Net Weight 10,02 Kg
 Oil type ISO VG 32 ESTER
 Oil charge 300 cm³

MOTOR

Nominal Power 1/5 hp
 Voltage/Frequency 220-240V 50Hz
 Voltage range 187-264 V
 Type CSIR
 Phase number 1 PH
 Locked Rotor Amps (LRA) 10,00 A
 Max. Cont. Current (MCC) 2,50 A
 Main W. resist. at 25°C 9,58 Ω
 Start W. resist. at 25°C 17,00 Ω

NOMINAL PERFORMANCE

	ASHRAE	CECOMAF
Cooling Capacity	280 kCal/h	221 W
COP	1,26 W/W	0,90 W/W
EER	1,09 kCal/Wh	0,78 kCal/Wh
Input Power	258 W	247 W
Current	1,55 A	1,51 A

APPROVALS



TEST CYCLE CONDITIONS

	ASHRAE LBP (B)	CECOMAF LBP (A)
Evaporating temp. (T _e)	-23,3 °C	-25,0 °C
Condensing temp. (T _c)	55,0 °C	55,0 °C
Liquid temp. (T _{liq.})	32,0 °C	55,0 °C
Ambient temp. (T _{amb.})	32,0 °C	32,0 °C
Suction temp. (T _{suction})	32,0 °C	32,0 °C
Voltage/Frequency	220 V 50 Hz	220 V 50 Hz

ELECTRICAL COMPONENTS

Starting capacitor	47- 56 µF 330 V			
Relay	Option 1			
Reference	2014 127.			
Pick-Up	4,80 A			
Drop-Out	4,10 A			
Protector	Option 1	Option 2		
Reference	MRP63AMK	T0069		
Current	7,10 A	7,10 A		
Time check	7,5-14 seg	7,5-14 seg		
Disc temp. (Open/Close)	105,00 / 61,00 °C	105,00 / 62,00 °C		

ASHRAE

Tc °C	Te °C	Cooling Capacity kCal/h	Consumption W	Current A	COP W/W	EER kCal/Wh
40	-40	130	158	1,25	0,96	0,82
40	-35	179	183	1,31	1,14	0,98
40	-30	237	208	1,38	1,32	1,14
40	-25	306	235	1,47	1,51	1,30
40	-23,3	331	244	1,50	1,58	1,36
40	-20	383	261	1,56	1,71	1,47
40	-15	471	289	1,67	1,89	1,63
40	-10	568	317	1,79	2,08	1,79

45	-40	120	155	1,24	0,90	0,77
45	-35	167	182	1,31	1,06	0,92
45	-30	223	210	1,39	1,24	1,06
45	-25	289	239	1,48	1,41	1,21
45	-23,3	314	248	1,52	1,47	1,26
45	-20	365	268	1,59	1,59	1,36
45	-15	450	298	1,71	1,76	1,51
45	-10	545	328	1,84	1,93	1,66

50	-40	110	152	1,24	0,84	0,72
50	-35	155	182	1,31	0,99	0,85
50	-30	209	212	1,39	1,15	0,99
50	-25	273	243	1,49	1,31	1,13
50	-23,3	297	253	1,53	1,36	1,17
50	-20	347	274	1,61	1,47	1,26
50	-15	430	306	1,74	1,63	1,40
50	-10	523	339	1,90	1,79	1,54

55	-40	100	149	1,23	0,78	0,67
55	-35	143	181	1,31	0,92	0,79
55	-30	195	213	1,40	1,06	0,91
55	-25	257	247	1,51	1,21	1,04
55	-23,3	280	258	1,55	1,26	1,09
55	-20	328	280	1,64	1,36	1,17
55	-15	409	315	1,78	1,51	1,30
55	-10	500	350	1,95	1,66	1,43

60	-40	90	146	1,22	0,72	0,62
60	-35	131	180	1,30	0,84	0,72
60	-30	181	215	1,40	0,98	0,84
60	-25	241	251	1,52	1,12	0,96
60	-23,3	263	263	1,57	1,16	1,00
60	-20	310	287	1,66	1,26	1,08
60	-15	389	324	1,82	1,40	1,20
60	-10	478	361	2,01	1,54	1,32

CECOMAF

Tc °C	Te °C	Cooling Capacity W	Consumption W	Current A	COP W/W	EER kCal/Wh
40	-40	137	158	1,25	0,87	0,75
40	-35	194	183	1,31	1,06	0,92
40	-30	260	208	1,38	1,25	1,08
40	-25	333	235	1,47	1,42	1,23
40	-23,3	360	244	1,50	1,48	1,28
40	-20	414	261	1,56	1,58	1,37
40	-15	504	289	1,67	1,74	1,51
40	-10	601	317	1,79	1,90	1,64

45	-40	120	155	1,24	0,78	0,67
45	-35	171	182	1,31	0,94	0,81
45	-30	229	210	1,39	1,09	0,94
45	-25	296	239	1,48	1,24	1,07
45	-23,3	320	248	1,52	1,29	1,11
45	-20	370	268	1,59	1,38	1,19
45	-15	453	298	1,71	1,52	1,31
45	-10	543	328	1,84	1,66	1,43

50	-40	103	152	1,24	0,68	0,59
50	-35	147	182	1,31	0,81	0,70
50	-30	199	212	1,39	0,94	0,81
50	-25	258	243	1,49	1,07	0,92
50	-23,3	281	253	1,53	1,11	0,96
50	-20	326	274	1,61	1,19	1,03
50	-15	402	306	1,74	1,31	1,13
50	-10	486	339	1,90	1,43	1,24

55	-40	86	149	1,23	0,58	0,50
55	-35	123	181	1,31	0,68	0,59
55	-30	168	213	1,40	0,79	0,68
55	-25	221	247	1,51	0,90	0,78
55	-23,3	241	258	1,55	0,93	0,81
55	-20	282	280	1,64	1,01	0,87
55	-15	351	315	1,78	1,11	0,96
55	-10	428	350	1,95	1,22	1,06

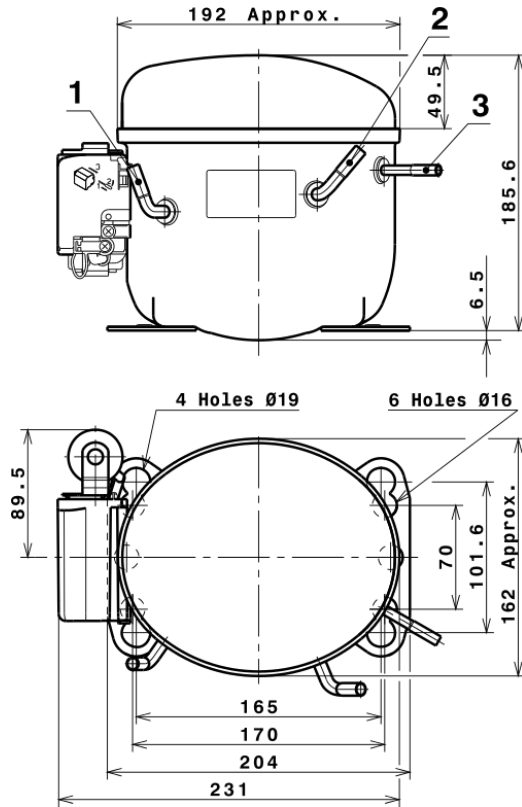
60	-40	70	146	1,22	0,48	0,41
60	-35	100	180	1,30	0,55	0,48
60	-30	138	215	1,40	0,64	0,55
60	-25	184	251	1,52	0,73	0,63
60	-23,3	201	263	1,57	0,77	0,66
60	-20	238	287	1,66	0,83	0,72
60	-15	300	324	1,82	0,93	0,80
60	-10	370	361	2,01	1,03	0,89

EN12900

X	Cooling Capacity (W)	Consumption (W)	Current (A)	Mass Flow (kg/h)
1	1.373,8248822159	257,5973839925	1,5597270836	29,407825273258
2	33,7337996743	2,3969294209	0,0218650170	0,83249097546289
3	-14,5308727590	3,2165059263	0,0154242325	-0,15825099212793
4	0,1513949918	0,0151934130	0,0003927017	0,0060931638848674
5	-0,2793655422	0,0957447636	0,0004202484	-0,0025539070595428

Equation	$x_1 + x_2Te + x_3Tc + x_4Te^2 + x_5TeTc$
----------	---

COMPRESSOR DIMENSIONS



DESIGNATION INTERNAL DIAM.

DESIGNATION	INTERNAL DIAM.
1 Suction	6,5 mm
2 Service	6,5 mm
3 Discharge	4,9 mm

WIRING DIAGRAMS AND ELECTRICAL ASSEMBLY

CSIR CONNECTION (L, P ranges)



FIXINGS



SILENT BLOCKS (MOUNTING ACCESSORIES)

STANDARD

$\varnothing 16$ holes (170x70 net)



AMERICAN FEET

$\varnothing 19$ holes (165x101.6 net)



SNAP-ON

$\varnothing 16$ holes (170x70 net)



SOA

SOA R404A LBP

