

Technical Data Sheet

Compressor model **MLY45LRa**
 Voltage **115-127V 60Hz ~1**
 Refrigerant **R404A**

APPLICATION

Application	Low Back Pressure
Refrigerant	R404A
Evaporating Temp.	-40,0 °C to -10,0 °C
Expansion	Capillar/Valve
Comp. Cooling	Fan cooled
Max. ambient temp.	43,0 °C

COMPRESSOR

Displacement	4,56 cm ³
Diameter	19,10 mm
Stroke	15,93 mm
Net Weight	9,20 Kg
Oil type	ISO VG 32 ESTER
Oil charge	300 cm ³

MOTOR

Nominal Power	1/6 hp
Voltage/Frequency	115-127V 60Hz
Voltage range	98-140 V
Type	CSIR
Phase number	1 PH
Locked Rotor Amps (LRA)	21,00 A
Max. Cont. Current (MCC)	4,80 A
Main W. resist. at 25°C	2,98 Ω
Start W. resist. at 25°C	9,22 Ω

NOMINAL PERFORMANCE

	ASHRAE	CECOMAF
Cooling Capacity	244 kCal/h	192 W
COP	1,23 W/W	0,87 W/W
EER	1,06 kCal/Wh	0,75 kCal/Wh
Input Power	231 W	221 W
Current	2,93 A	2,87 A

APPROVALS

TEST CYCLE CONDITIONS

	ASHRAE LBP (B)	CECOMAF LBP (A)
Evaporating temp. (T _e)	-23,3 °C	-25,0 °C
Condensing temp. (T _c)	55,0 °C	55,0 °C
Liquid temp. (T _{liq.})	32,0 °C	55,0 °C
Ambient temp. (T _{amb.})	32,0 °C	32,0 °C
Suction temp. (T _{suction})	32,0 °C	32,0 °C
Voltage/Frequency	115 V 60 Hz	115 V 60 Hz

ELECTRICAL COMPONENTS

Starting capacitor	150 µF 160 V			
Relay	Option 1			
Reference	2014 158.			
Pick-Up	9,05 A			
Drop-Out	7,70 A			
Protector	Option 1			
Reference	T0252			
Current	11,50 A			
Time check	7,5-14 seg			
Disc temp. (Open/Close)	105,00 / 52,00 °C			

Technical Data Sheet

ASHRAE

Tc °C	Te °C	Cooling Capacity kCal/h	Consumption W	Current A	COP W/W	EER kCal/Wh
40	-40	104	144	2,43	0,84	0,72
40	-35	148	166	2,55	1,03	0,89
40	-30	200	190	2,69	1,22	1,05
40	-25	260	216	2,84	1,40	1,21
40	-23,3	282	224	2,89	1,46	1,26
40	-20	328	242	3,00	1,58	1,36
40	-15	404	269	3,17	1,75	1,50
40	-10	488	297	3,36	1,91	1,64

45	-40	94	141	2,42	0,78	0,67
45	-35	137	165	2,55	0,97	0,83
45	-30	188	191	2,69	1,15	0,99
45	-25	248	217	2,85	1,33	1,14
45	-23,3	270	227	2,90	1,38	1,19
45	-20	315	245	3,02	1,50	1,29
45	-15	390	273	3,20	1,66	1,43
45	-10	473	303	3,41	1,82	1,56

50	-40	84	139	2,40	0,71	0,61
50	-35	126	164	2,54	0,89	0,77
50	-30	177	191	2,69	1,08	0,92
50	-25	235	219	2,86	1,25	1,07
50	-23,3	257	229	2,92	1,31	1,12
50	-20	301	248	3,04	1,41	1,22
50	-15	376	278	3,23	1,57	1,35
50	-10	458	309	3,45	1,72	1,48

55	-40	74	136	2,39	0,63	0,54
55	-35	116	163	2,53	0,82	0,71
55	-30	165	191	2,69	1,00	0,86
55	-25	223	221	2,87	1,17	1,01
55	-23,3	244	231	2,93	1,23	1,06
55	-20	288	251	3,06	1,33	1,15
55	-15	362	283	3,26	1,49	1,28
55	-10	443	315	3,49	1,64	1,41

60	-40	64	134	2,38	0,56	0,48
60	-35	105	162	2,53	0,75	0,65
60	-30	153	192	2,70	0,93	0,80
60	-25	210	223	2,88	1,10	0,94
60	-23,3	231	233	2,94	1,15	0,99
60	-20	275	254	3,08	1,26	1,08
60	-15	347	287	3,30	1,41	1,21
60	-10	428	321	3,53	1,55	1,33

CECOMAF

Tc °C	Te °C	Cooling Capacity W	Consumption W	Current A	COP W/W	EER kCal/Wh
40	-40	109	144	2,43	0,76	0,66
40	-35	161	166	2,55	0,97	0,83
40	-30	219	190	2,69	1,15	0,99
40	-25	284	216	2,84	1,32	1,14
40	-23,3	307	224	2,89	1,37	1,18
40	-20	355	242	3,00	1,47	1,27
40	-15	433	269	3,17	1,61	1,39
40	-10	518	297	3,36	1,74	1,51

45	-40	94	141	2,42	0,67	0,58
45	-35	140	165	2,55	0,85	0,73
45	-30	193	191	2,69	1,01	0,88
45	-25	253	217	2,85	1,16	1,01
45	-23,3	275	227	2,90	1,21	1,05
45	-20	319	245	3,02	1,30	1,13
45	-15	392	273	3,20	1,43	1,24
45	-10	471	303	3,41	1,56	1,34

50	-40	79	139	2,40	0,57	0,49
50	-35	120	164	2,54	0,73	0,63
50	-30	168	191	2,69	0,88	0,76
50	-25	222	219	2,86	1,02	0,88
50	-23,3	242	229	2,92	1,06	0,92
50	-20	283	248	3,04	1,14	0,99
50	-15	351	278	3,23	1,26	1,09
50	-10	425	309	3,45	1,38	1,19

55	-40	64	136	2,39	0,47	0,41
55	-35	100	163	2,53	0,61	0,53
55	-30	143	191	2,69	0,74	0,64
55	-25	192	221	2,87	0,87	0,75
55	-23,3	210	231	2,93	0,91	0,79
55	-20	248	251	3,06	0,99	0,85
55	-15	310	283	3,26	1,10	0,95
55	-10	379	315	3,49	1,20	1,04

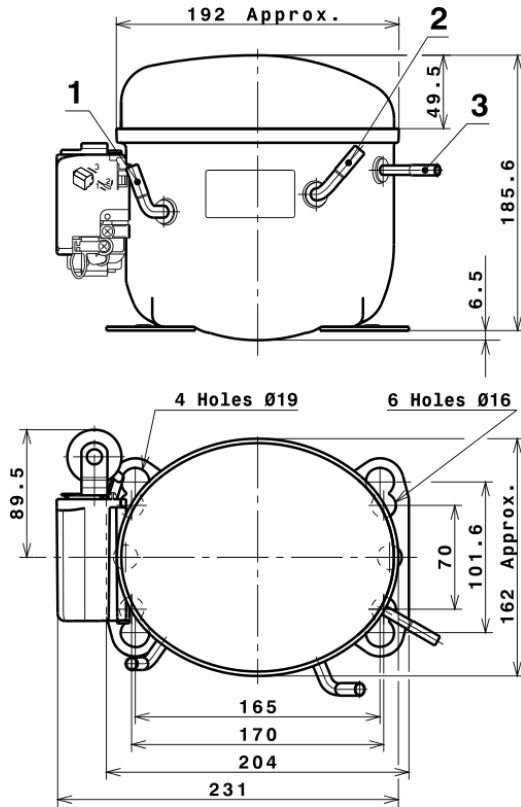
60	-40	49	134	2,38	0,37	0,32
60	-35	80	162	2,53	0,49	0,42
60	-30	117	192	2,70	0,61	0,53
60	-25	161	223	2,88	0,72	0,63
60	-23,3	178	233	2,94	0,76	0,66
60	-20	212	254	3,08	0,83	0,72
60	-15	269	287	3,30	0,94	0,81
60	-10	333	321	3,53	1,04	0,90

EN12900

X	Cooling Capacity (W)	Consumption (W)	Current (A)	Mass Flow (kg/h)
1	1.147,9140550681	294,4390216673	3,3781644345	23,871701840854
2	28,0833688320	4,1063015818	0,0347541262	0,67290218114216
3	-11,6066392070	1,8133083223	0,0126417951	-0,10016678347288
4	0,1252194886	0,0230831878	0,0003527715	0,0051081944144621
5	-0,2155440304	0,0581094710	0,0003827894	-0,0011053439155558

Equation	$x_1 + x_2Te + x_3Tc + x_4Te^2 + x_5TeTc$
----------	---

COMPRESSOR DIMENSIONS

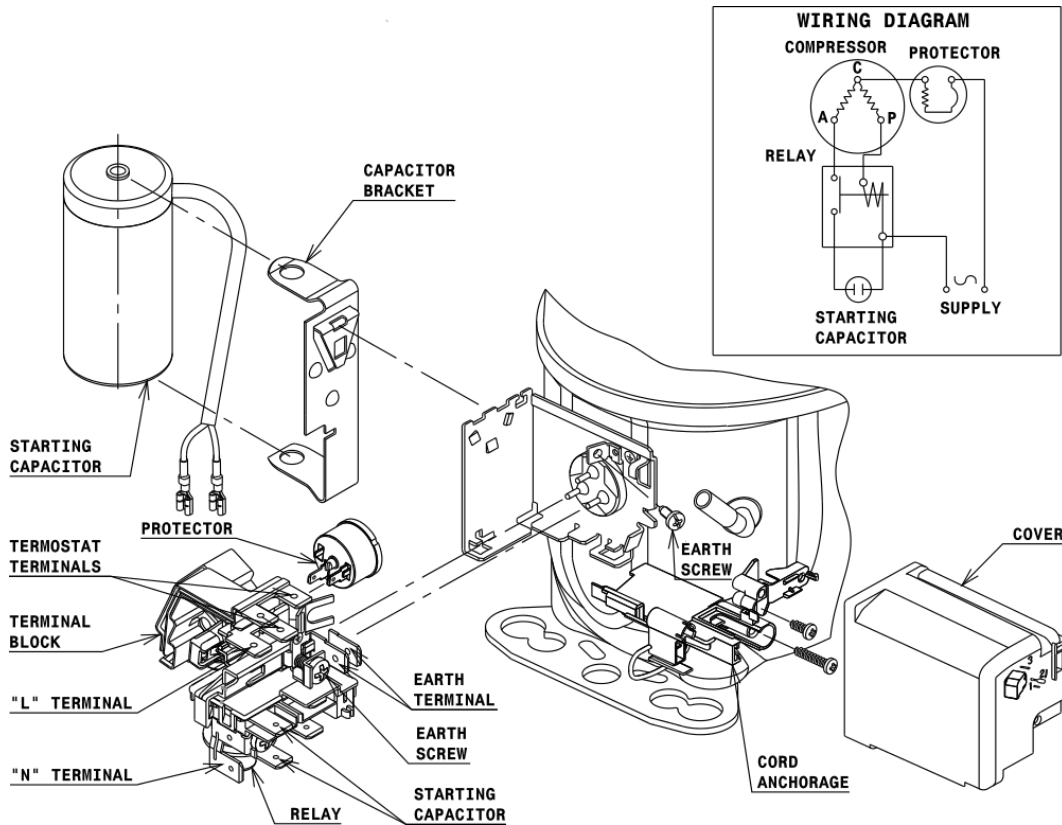


DESIGNATION INTERNAL DIAM.

DESIGNATION	INTERNAL DIAM.
1 Suction	6,5 mm
2 Service	6,5 mm
3 Discharge	4,9 mm

WIRING DIAGRAMS AND ELECTRICAL ASSEMBLY

CSIR CONNECTION (L, P ranges)



Technical Data Sheet

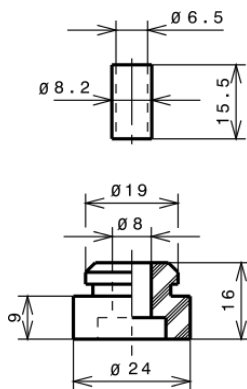
FIXINGS



SILENT BLOCKS (MOUNTING ACCESSORIES)

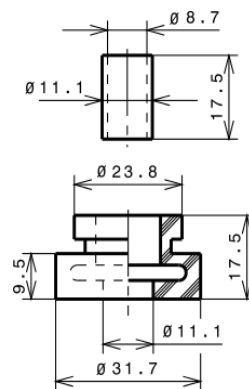
STANDARD

Ø16 holes (170x70 net)



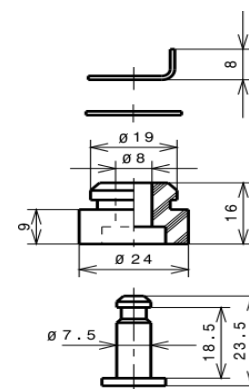
AMERICAN FEET

Ø19 holes (165x101.6 net)



SNAP-ON

Ø16 holes (170x70 net)



SOA

SOA R404A LBP

