

Technical Data Sheet

Compressor model **MLY45LAB**
 Voltage **220-240V 50Hz ~1**
 Refrigerant **R404A**

APPLICATION

Application Low Back Pressure
 Refrigerant R404A
 Evaporating Temp. -40,0 °C to -10,0 °C
 Expansion Capillar/Valve
 Comp. Cooling Fan cooled
 Max. ambient temp. 43,0 °C

COMPRESSOR

Displacement 4,56 cm³
 Diameter 19,09 mm
 Stroke 15,93 mm
 Net Weight 9,65 Kg
 Oil type ISO VG 32 ESTER
 Oil charge 300 cm³

MOTOR

Nominal Power 1/6 hp
 Voltage/Frequency 220-240V 50Hz
 Voltage range 187-255 V
 Type CSR
 Phase number 1 PH
 Locked Rotor Amps (LRA) 8,10 A
 Max. Cont. Current (MCC) 1,60 A
 Main W. resist. at 25°C 16,13 Ω
 Start W. resist. at 25°C 17,05 Ω

NOMINAL PERFORMANCE

	ASHRAE	CECOMAF
Cooling Capacity	200 kCal/h	157 W
COP	1,38 W/W	0,98 W/W
EER	1,19 kCal/Wh	0,84 kCal/Wh
Input Power	168 W	161 W
Current	0,82 A	0,79 A

APPROVALS



TEST CYCLE CONDITIONS

	ASHRAE LBP (B)	CECOMAF LBP (A)
Evaporating temp. (T _e)	-23,3 °C	-25,0 °C
Condensing temp. (T _c)	55,0 °C	55,0 °C
Liquid temp. (T _{liq.})	32,0 °C	55,0 °C
Ambient temp. (T _{amb.})	32,0 °C	32,0 °C
Suction temp. (T _{suction})	32,0 °C	32,0 °C
Voltage/Frequency	220 V 50 Hz	220 V 50 Hz

ELECTRICAL COMPONENTS

Starting capacitor	47- 56 µF 330 V		
Run capacitor	5 µF 400 V		
Relay	Option 1		
Reference	2014 118. + NTC15Ω		
Pick-Up	3.80 A		
Drop-Out	3.25 A		
Protector	Option 1	Option 2	
Reference	MRP346HV	T0067	
Current	6,40 A	6,60 A	
Time check	7,5-14 seg	7,5-14 seg	
Disc temp. (Open/Close)	105,00 / 78,00 °C	105,00 / 62,00 °C	

ASHRAE

Tc °C	Te °C	Cooling Capacity kCal/h	Consumption W	Current A	COP W/W	EER kCal/Wh
40	-40	85	111	0,55	0,89	0,77
40	-35	119	124	0,61	1,12	0,96
40	-30	162	139	0,68	1,35	1,16
40	-25	213	156	0,76	1,59	1,37
40	-23,3	232	162	0,79	1,67	1,43
40	-20	272	174	0,85	1,82	1,56
40	-15	339	194	0,94	2,03	1,75
40	-10	415	216	1,05	2,23	1,92

45	-40	80	109	0,54	0,85	0,73
45	-35	113	123	0,61	1,06	0,91
45	-30	153	140	0,69	1,28	1,10
45	-25	203	157	0,77	1,50	1,29
45	-23,3	221	164	0,80	1,57	1,35
45	-20	260	177	0,86	1,71	1,47
45	-15	326	198	0,96	1,91	1,65
45	-10	400	221	1,07	2,11	1,81

50	-40	75	108	0,54	0,81	0,70
50	-35	106	123	0,61	1,00	0,86
50	-30	145	140	0,69	1,20	1,03
50	-25	193	159	0,78	1,41	1,21
50	-23,3	211	166	0,81	1,48	1,27
50	-20	248	180	0,88	1,61	1,38
50	-15	313	202	0,98	1,80	1,55
50	-10	385	226	1,10	1,98	1,70

55	-40	70	106	0,53	0,77	0,66
55	-35	99	123	0,61	0,94	0,81
55	-30	137	141	0,69	1,13	0,97
55	-25	183	161	0,79	1,32	1,13
55	-23,3	200	168	0,82	1,38	1,19
55	-20	237	183	0,89	1,51	1,30
55	-15	299	206	1,00	1,69	1,45
55	-10	370	231	1,12	1,86	1,60

60	-40	65	105	0,52	0,72	0,62
60	-35	93	122	0,61	0,88	0,76
60	-30	128	142	0,70	1,05	0,91
60	-25	173	163	0,79	1,23	1,06
60	-23,3	189	170	0,83	1,30	1,11
60	-20	225	185	0,90	1,41	1,21
60	-15	286	210	1,02	1,58	1,36
60	-10	355	236	1,14	1,75	1,50

CECOMAF

Tc °C	Te °C	Cooling Capacity W	Consumption W	Current A	COP W/W	EER kCal/Wh
40	-40	90	111	0,55	0,81	0,70
40	-35	131	124	0,61	1,06	0,91
40	-30	179	139	0,68	1,29	1,11
40	-25	233	156	0,76	1,50	1,30
40	-23,3	254	162	0,79	1,57	1,36
40	-20	295	174	0,85	1,70	1,47
40	-15	364	194	0,94	1,87	1,62
40	-10	440	216	1,05	2,04	1,76

45	-40	80	109	0,54	0,73	0,64
45	-35	116	123	0,61	0,94	0,81
45	-30	158	140	0,69	1,14	0,98
45	-25	208	157	0,77	1,32	1,14
45	-23,3	227	164	0,80	1,38	1,20
45	-20	265	177	0,86	1,50	1,29
45	-15	328	198	0,96	1,66	1,43
45	-10	399	221	1,07	1,80	1,56

50	-40	70	108	0,54	0,65	0,57
50	-35	101	123	0,61	0,82	0,71
50	-30	138	140	0,69	0,99	0,85
50	-25	183	159	0,78	1,15	0,99
50	-23,3	199	166	0,81	1,20	1,04
50	-20	234	180	0,88	1,30	1,13
50	-15	292	202	0,98	1,45	1,25
50	-10	358	226	1,10	1,58	1,37

55	-40	61	106	0,53	0,57	0,49
55	-35	86	123	0,61	0,70	0,60
55	-30	118	141	0,69	0,84	0,72
55	-25	157	161	0,79	0,98	0,84
55	-23,3	172	168	0,82	1,02	0,89
55	-20	203	183	0,89	1,11	0,96
55	-15	257	206	1,00	1,25	1,08
55	-10	317	231	1,12	1,37	1,18

60	-40	51	105	0,52	0,49	0,42
60	-35	71	122	0,61	0,58	0,50
60	-30	98	142	0,70	0,69	0,60
60	-25	132	163	0,79	0,81	0,70
60	-23,3	145	170	0,83	0,85	0,74
60	-20	173	185	0,90	0,93	0,81
60	-15	221	210	1,02	1,05	0,91
60	-10	276	236	1,14	1,17	1,01

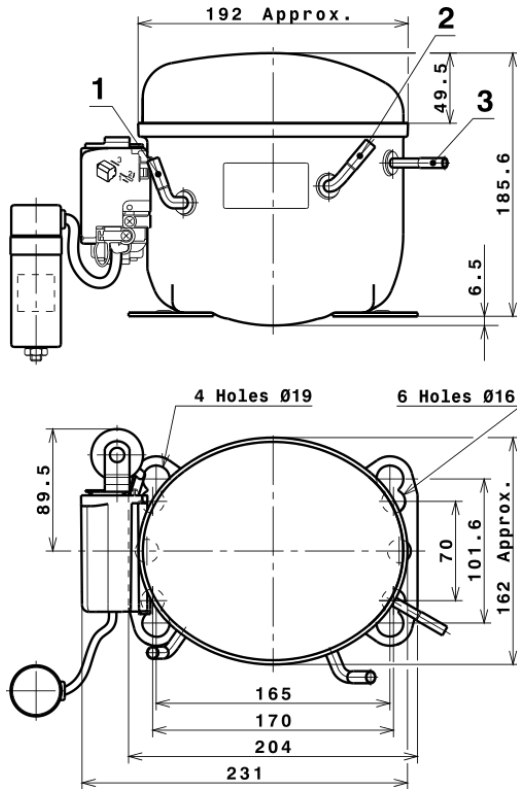
EN12900

X	Cooling Capacity (W)	Consumption (W)	Current (A)	Mass Flow (kg/h)
1	1.011,9867152384	213,6959080337	1,0382330531	21,62228099592
2	26,4412416168	3,6588023830	0,0178190673	0,66136356626667
3	-10,5035189300	1,4713403395	0,0070542727	-0,10886544807506
4	0,1319684645	0,0361677899	0,0001835504	0,0052008050332876
5	-0,2134930448	0,0444495662	0,0002119331	-0,0020177276589803

Equation	$x_1 + x_2Te + x_3Tc + x_4Te^2 + x_5TeTc$
----------	---

Technical Data Sheet

COMPRESSOR DIMENSIONS

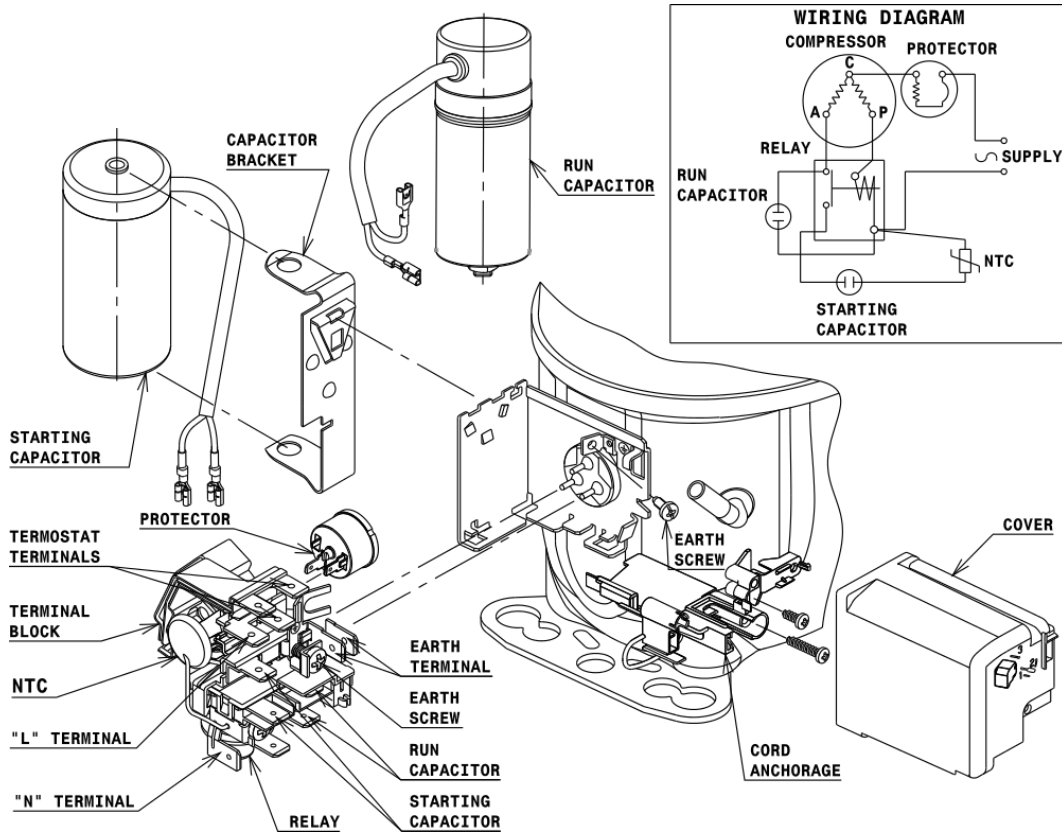


DESIGNATION INTERNAL DIAM.

DESIGNATION	INTERNAL DIAM.
1 Suction	6,5 mm
2 Service	6,5 mm
3 Discharge	4,9 mm

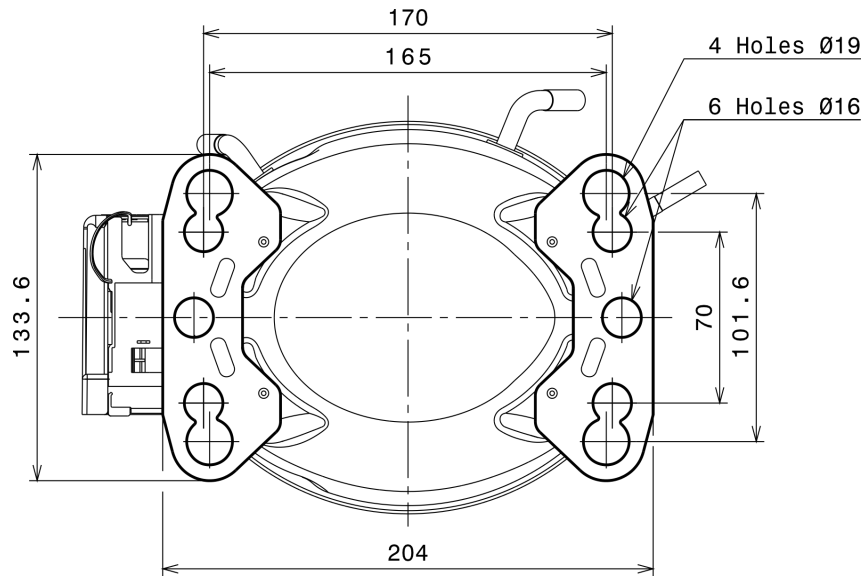
WIRING DIAGRAMS AND ELECTRICAL ASSEMBLY

CSR CONNECTION (CURRENT RELAY + NTC) (L, P ranges)



Technical Data Sheet

FIXINGS



SILENT BLOCKS (MOUNTING ACCESSORIES)

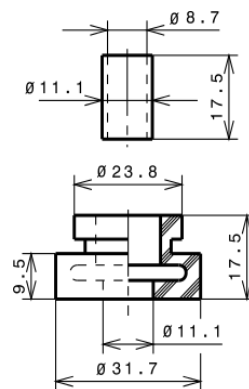
STANDARD

Ø16 holes (170x70 net)



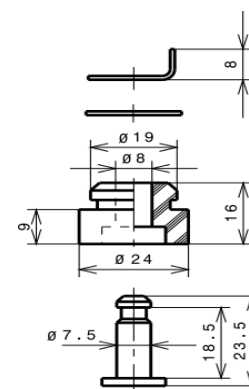
AMERICAN FEET

Ø19 holes (165x101.6 net)



SNAP-ON

Ø16 holes (170x70 net)



SOA

SOA R404A LBP

