

Technical Data Sheet

Compressor model **MLY12LGa**
 Voltage **200-220/230V 50/60Hz ~1**
 Refrigerant **R404A**

APPLICATION

Application Low Back Pressure
 Refrigerant R404A
 Evaporating Temp. -40,0 °C to -10,0 °C
 Expansion Capillar/Valve
 Comp. Cooling Fan cooled
 Max. ambient temp. 43,0 °C

COMPRESSOR

Displacement 10,70 cm³
 Diameter 25,40 mm
 Stroke 21,11 mm
 Net Weight 11,06 Kg
 Oil type ISO VG 32 ESTER
 Oil charge 400 cm³

MOTOR

Nominal Power 3/8 hp
 Voltage/Frequency 200-220V 50Hz
 Voltage range 170-233 V
 Type CSIR
 Phase number 1 PH
 Locked Rotor Amps (LRA) 22,00 A
 Max. Cont. Current (MCC) 4,60 A
 Main W. resist. at 25°C 3,73 Ω
 Start W. resist. at 25°C 17,04 Ω

NOMINAL PERFORMANCE

	ASHRAE	CECOMAF
Cooling Capacity	490 kCal/h	387 W
COP	1,17 W/W	0,83 W/W
EER	1,00 kCal/Wh	0,71 kCal/Wh
Input Power	488 W	469 W
Current	3,56 A	3,51 A

APPROVALS



TEST CYCLE CONDITIONS

	ASHRAE LBP (B)	CECOMAF LBP (A)
Evaporating temp. (T _e)	-23,3 °C	-25,0 °C
Condensing temp. (T _c)	55,0 °C	55,0 °C
Liquid temp. (T _{liq.})	32,0 °C	55,0 °C
Ambient temp. (T _{amb.})	32,0 °C	32,0 °C
Suction temp. (T _{suction})	32,0 °C	32,0 °C
Voltage/Frequency	220 V 50 Hz	220 V 50 Hz

ELECTRICAL COMPONENTS

Starting capacitor	88-108 µF 330 V			
Relay	Option 1			
Reference	2014 170.			
Pick-Up	12,10 A			
Drop-Out	10,30 A			
Protector	Option 1			
Reference	T0267			
Current	11,00 A			
Time check	7,5-14 seg			
Disc temp. (Open/Close)	105,00 / 52,00 °C			

ASHRAE

Tc °C	Te °C	Cooling Capacity kCal/h	Consumption W	Current A	COP W/W	EER kCal/Wh
40	-40	226	281	3,00	0,93	0,80
40	-35	298	327	3,12	1,06	0,91
40	-30	391	374	3,25	1,21	1,04
40	-25	503	423	3,38	1,38	1,19
40	-23,3	545	440	3,43	1,44	1,24
40	-20	634	473	3,52	1,56	1,34
40	-15	785	524	3,66	1,74	1,50
40	-10	956	576	3,80	1,93	1,66

45	-40	214	291	3,03	0,86	0,74
45	-35	285	339	3,15	0,98	0,84
45	-30	375	388	3,29	1,12	0,97
45	-25	485	438	3,42	1,29	1,11
45	-23,3	527	456	3,47	1,34	1,16
45	-20	615	490	3,57	1,46	1,25
45	-15	764	543	3,71	1,64	1,41
45	-10	932	597	3,86	1,82	1,56

50	-40	203	301	3,05	0,78	0,67
50	-35	271	351	3,19	0,90	0,77
50	-30	360	402	3,32	1,04	0,90
50	-25	467	454	3,47	1,20	1,03
50	-23,3	508	472	3,52	1,25	1,08
50	-20	595	507	3,61	1,36	1,17
50	-15	742	562	3,76	1,53	1,32
50	-10	908	618	3,92	1,71	1,47

55	-40	191	311	3,08	0,71	0,61
55	-35	258	363	3,22	0,83	0,71
55	-30	344	415	3,36	0,96	0,83
55	-25	450	469	3,51	1,11	0,96
55	-23,3	490	488	3,56	1,17	1,00
55	-20	575	525	3,66	1,27	1,10
55	-15	720	581	3,82	1,44	1,24
55	-10	884	639	3,98	1,61	1,38

60	-40	180	321	3,11	0,65	0,56
60	-35	244	374	3,25	0,76	0,65
60	-30	328	429	3,40	0,89	0,77
60	-25	432	485	3,55	1,04	0,89
60	-23,3	472	504	3,60	1,09	0,94
60	-20	555	542	3,71	1,19	1,02
60	-15	698	600	3,87	1,35	1,16
60	-10	860	660	4,04	1,52	1,30

CECOMAF

Tc °C	Te °C	Cooling Capacity W	Consumption W	Current A	COP W/W	EER kCal/Wh
40	-40	239	281	3,00	0,85	0,73
40	-35	327	327	3,12	1,00	0,87
40	-30	432	374	3,25	1,15	1,00
40	-25	553	423	3,38	1,31	1,13
40	-23,3	598	440	3,43	1,36	1,18
40	-20	691	473	3,52	1,46	1,26
40	-15	845	524	3,66	1,61	1,39
40	-10	1.015	576	3,80	1,76	1,52

45	-40	214	291	3,03	0,74	0,64
45	-35	293	339	3,15	0,86	0,75
45	-30	387	388	3,29	1,00	0,86
45	-25	498	438	3,42	1,14	0,98
45	-23,3	540	456	3,47	1,18	1,02
45	-20	625	490	3,57	1,28	1,10
45	-15	769	543	3,71	1,42	1,22
45	-10	929	597	3,86	1,56	1,34

50	-40	190	301	3,05	0,63	0,54
50	-35	258	351	3,19	0,73	0,63
50	-30	342	402	3,32	0,85	0,74
50	-25	443	454	3,47	0,98	0,84
50	-23,3	481	472	3,52	1,02	0,88
50	-20	560	507	3,61	1,10	0,95
50	-15	693	562	3,76	1,23	1,07
50	-10	843	618	3,92	1,36	1,18

55	-40	165	311	3,08	0,53	0,46
55	-35	223	363	3,22	0,61	0,53
55	-30	297	415	3,36	0,71	0,62
55	-25	387	469	3,51	0,83	0,71
55	-23,3	422	488	3,56	0,86	0,75
55	-20	494	525	3,66	0,94	0,81
55	-15	617	581	3,82	1,06	0,92
55	-10	756	639	3,98	1,18	1,02

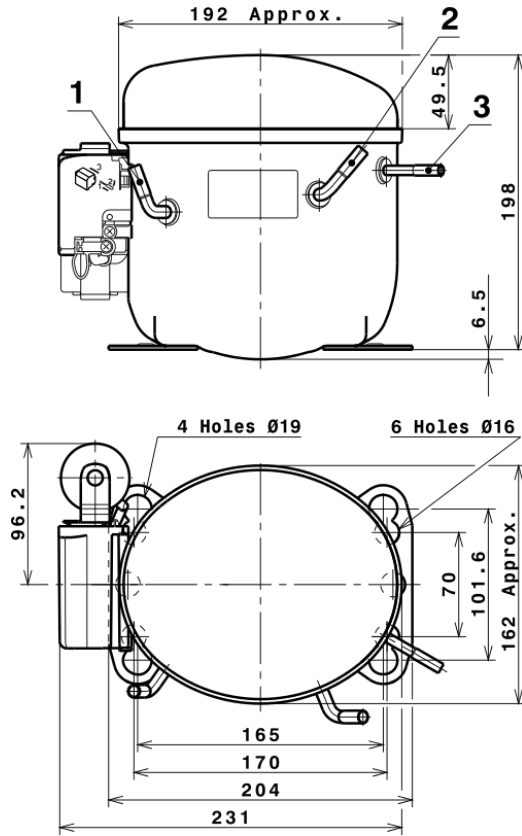
60	-40	141	321	3,11	0,44	0,38
60	-35	188	374	3,25	0,50	0,43
60	-30	252	429	3,40	0,59	0,51
60	-25	332	485	3,55	0,68	0,59
60	-23,3	363	504	3,60	0,72	0,62
60	-20	428	542	3,71	0,79	0,68
60	-15	541	600	3,87	0,90	0,78
60	-10	670	660	4,04	1,02	0,88

EN12900

X	Cooling Capacity (W)	Consumption (W)	Current (A)	Mass Flow (kg/h)
1	2.237,5980349465	501,7281633216	3,5920193792	46,384005405569
2	57,5987892322	8,5677562043	0,0241310094	1,4258712586127
3	-21,9784973998	5,0689028374	0,0143463808	-0,16982799886937
4	0,3094837056	0,0290202702	0,0001069486	0,012197630562745
5	-0,4258314145	0,0756155193	0,0002220558	-0,0026226233164699

Equation	$x_1 + x_2Te + x_3Tc + x_4Te^2 + x_5TeTc$
----------	---

COMPRESSOR DIMENSIONS

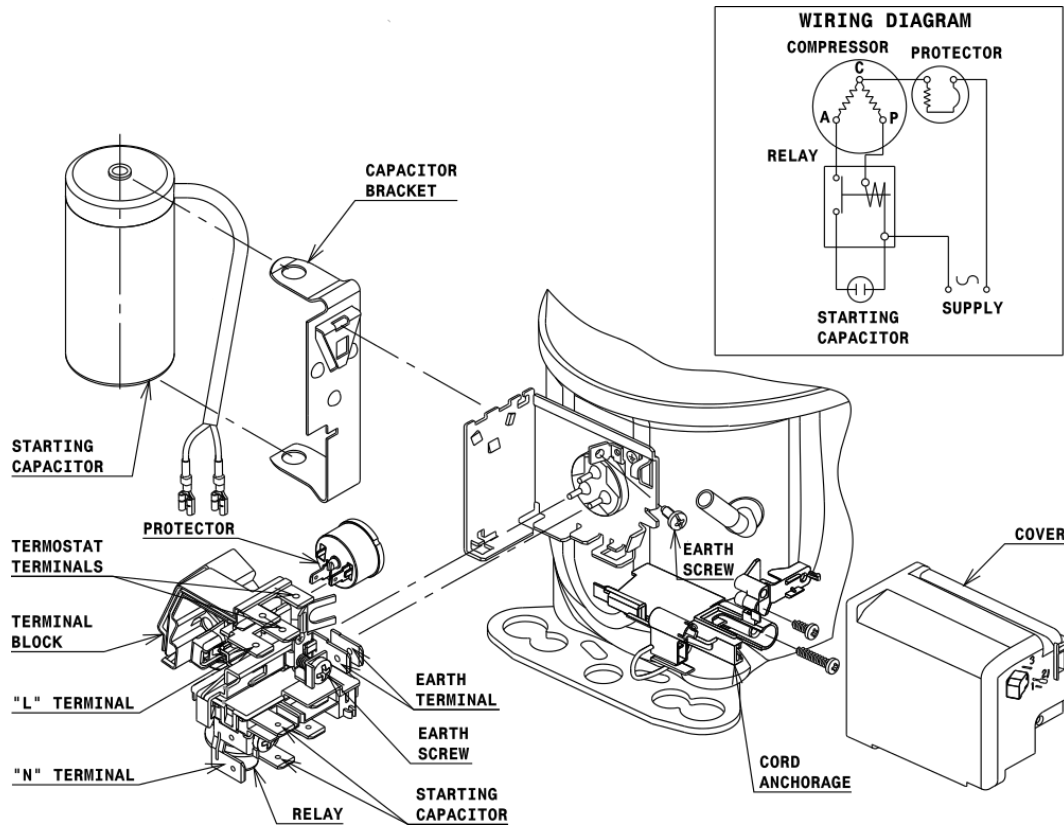


DESIGNATION INTERNAL DIAM.

1	Suction	8,1 mm
2	Service	8,1 mm
3	Discharge	6,5 mm

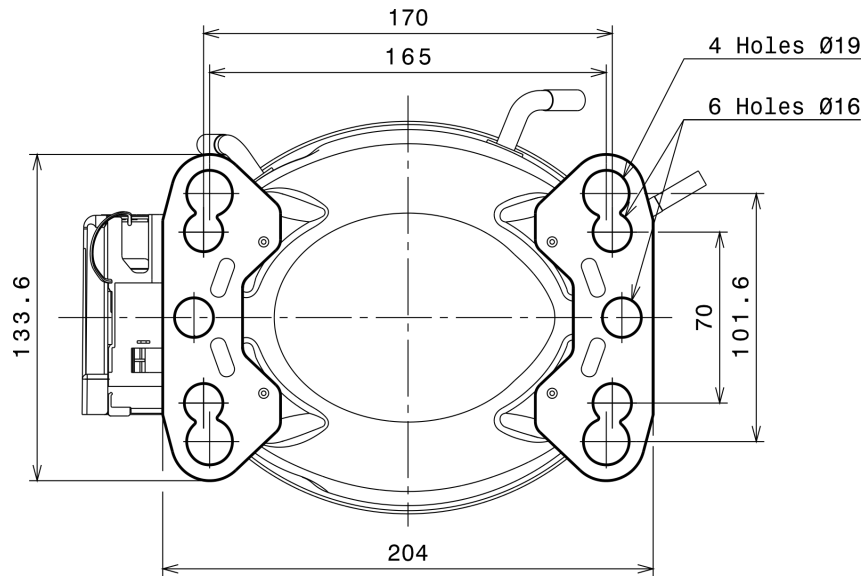
WIRING DIAGRAMS AND ELECTRICAL ASSEMBLY

CSIR CONNECTION (L, P ranges)



Technical Data Sheet

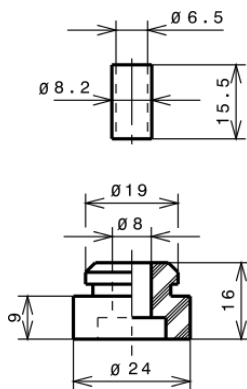
FIXINGS



SILENT BLOCKS (MOUNTING ACCESSORIES)

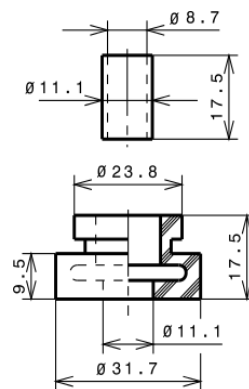
STANDARD

Ø16 holes (170x70 net)



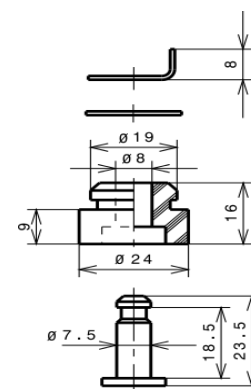
AMERICAN FEET

Ø19 holes (165x101.6 net)



SNAP-ON

Ø16 holes (170x70 net)



SOA

SOA R404A LBP

