

Technical Data Sheet

Compressor model **MLT45RG**
 Voltage **200-220/230V 50/60Hz ~1**
 Refrigerant **R404A**

APPLICATION

COMPRESSOR

MOTOR

Application	High-Medium Back Pressure	Displacement	4,56 cm ³	Nominal Power	1/5 hp
Refrigerant	R404A	Diameter	19,10 mm	Voltage/Frequency	200-220V 50Hz
Evaporating Temp.	-25,0 °C to 10,0 °C	Stroke	15,93 mm	Voltage range	170-242 V
Expansion	Capillar/Valve	Net Weight	9,75 Kg	Type	CSR
Comp. Cooling	Fan cooled	Oil type	ISO VG 32 ESTER	Phase number	1 PH
Max. ambient temp.	43,0 °C	Oil charge	295 cm ³	Locked Rotor Amps (LRA)	11,00 A
				Max. Cont. Current (MCC)	2,70 A
				Main W. resist. at 25°C	10,35 Ω
				Start W. resist. at 25°C	30,95 Ω

NOMINAL PERFORMANCE

APPROVALS

	ASHRAE	CECOMAF
Cooling Capacity	642 kCal/h	591 W
COP	2,36 W/W	1,91 W/W
EER	2,03 kCal/Wh	1,65 kCal/Wh
Input Power	317 W	310 W
Current	1,51 A	1,48 A

TEST CYCLE CONDITIONS

	ASHRAE HMBP (D)	CECOMAF HMBP (C)
Evaporating temp. (T _e)	7,2 °C	5,0 °C
Condensing temp. (T _c)	55,0 °C	55,0 °C
Liquid temp. (T _{liq.})	46,0 °C	55,0 °C
Ambient temp. (T _{amb.})	35,0 °C	32,0 °C
Suction temp. (T _{suction})	35,0 °C	32,0 °C
Voltage/Frequency	220 V 50 Hz	220 V 50 Hz

ELECTRICAL COMPONENTS

Starting capacitor	47- 56 μF 330 V		
Run capacitor	6 μF 400 V		
Relay	Option 1		
Reference	2014 131. + NTC15Ω		
Pick-Up	5.30 A		
Drop-Out	4.50 A		
Protector	Option 1		
Reference	T0269		
Current	9,60 A		
Time check	7,5-14 seg		
Disc temp. (Open/Close)	105,00 / 52,00 °C		

ASHRAE

Tc °C	Te °C	Cooling Capacity kCal/h	Consumption W	Current A	COP W/W	EER kCal/Wh
40	-25	216	168	0,87	1,49	1,28
40	-20	276	184	0,94	1,75	1,51
40	-15	348	199	1,01	2,03	1,75
40	-10	431	215	1,08	2,33	2,01
40	-5	524	230	1,14	2,65	2,28
40	0	628	246	1,21	2,97	2,56
40	5	743	261	1,27	3,31	2,85
40	7,2	797	268	1,30	3,46	2,98
40	10	868	276	1,34	3,66	3,15

45	-25	197	170	0,88	1,35	1,16
45	-20	253	188	0,96	1,56	1,35
45	-15	319	206	1,04	1,81	1,55
45	-10	397	223	1,11	2,06	1,78
45	-5	485	241	1,19	2,34	2,01
45	0	584	259	1,27	2,62	2,26
45	5	693	276	1,34	2,92	2,51
45	7,2	745	284	1,37	3,05	2,62
45	10	814	294	1,41	3,22	2,77

50	-25	179	172	0,89	1,21	1,04
50	-20	229	192	0,98	1,39	1,19
50	-15	291	212	1,07	1,59	1,37
50	-10	363	232	1,15	1,82	1,56
50	-5	446	252	1,24	2,06	1,77
50	0	540	272	1,32	2,31	1,98
50	5	644	292	1,41	2,57	2,21
50	7,2	694	301	1,44	2,68	2,31
50	10	759	312	1,49	2,84	2,44

55	-25	160	174	0,90	1,07	0,92
55	-20	206	196	1,00	1,22	1,05
55	-15	262	219	1,09	1,39	1,20
55	-10	329	241	1,19	1,59	1,37
55	-5	407	263	1,28	1,80	1,55
55	0	495	285	1,38	2,02	1,74
55	5	595	307	1,47	2,25	1,94
55	7,2	642	317	1,51	2,36	2,03
55	10	705	329	1,56	2,49	2,14

60	-25	142	176	0,91	0,94	0,80
60	-20	182	201	1,02	1,05	0,91
60	-15	233	225	1,12	1,20	1,04
60	-10	295	250	1,23	1,37	1,18
60	-5	368	274	1,33	1,56	1,34
60	0	451	299	1,43	1,76	1,51
60	5	546	323	1,53	1,97	1,69
60	7,2	591	334	1,58	2,06	1,77
60	10	651	347	1,63	2,18	1,87

CECOMAF

Tc °C	Te °C	Cooling Capacity W	Consumption W	Current A	COP W/W	EER kCal/Wh
40	-25	226	169	0,88	1,34	1,15
40	-20	292	185	0,95	1,58	1,36
40	-15	368	200	1,02	1,84	1,59
40	-10	454	216	1,08	2,10	1,82
40	-5	551	232	1,15	2,38	2,06
40	0	659	247	1,22	2,67	2,30
40	5	777	263	1,28	2,96	2,56
40	7,2	832	270	1,31	3,09	2,67
40	10	905	278	1,35	3,25	2,81

45	-25	204	171	0,89	1,19	1,03
45	-20	263	189	0,97	1,39	1,20
45	-15	333	207	1,04	1,61	1,39
45	-10	412	225	1,12	1,83	1,58
45	-5	503	243	1,20	2,07	1,79
45	0	604	261	1,27	2,32	2,00
45	5	715	278	1,35	2,57	2,22
45	7,2	767	286	1,38	2,68	2,32
45	10	837	296	1,42	2,83	2,44

50	-25	182	173	0,90	1,05	0,91
50	-20	234	193	0,98	1,21	1,05
50	-15	297	213	1,07	1,39	1,20
50	-10	371	234	1,16	1,59	1,37
50	-5	454	254	1,24	1,79	1,55
50	0	548	274	1,33	2,00	1,73
50	5	653	294	1,41	2,22	1,92
50	7,2	702	303	1,45	2,32	2,00
50	10	768	314	1,50	2,45	2,11

55	-25	160	175	0,90	0,92	0,79
55	-20	206	198	1,00	1,04	0,90
55	-15	262	220	1,10	1,19	1,03
55	-10	329	243	1,20	1,35	1,17
55	-5	406	265	1,29	1,53	1,32
55	0	493	287	1,39	1,72	1,48
55	5	591	310	1,48	1,91	1,65
55	7,2	637	319	1,52	2,00	1,72
55	10	699	332	1,57	2,11	1,82

60	-25	138	177	0,91	0,78	0,68
60	-20	177	202	1,02	0,88	0,76
60	-15	227	227	1,13	1,00	0,86
60	-10	287	251	1,23	1,14	0,99
60	-5	357	276	1,34	1,29	1,12
60	0	438	301	1,44	1,46	1,26
60	5	529	325	1,54	1,63	1,41
60	7,2	572	336	1,59	1,70	1,47
60	10	631	350	1,65	1,80	1,56

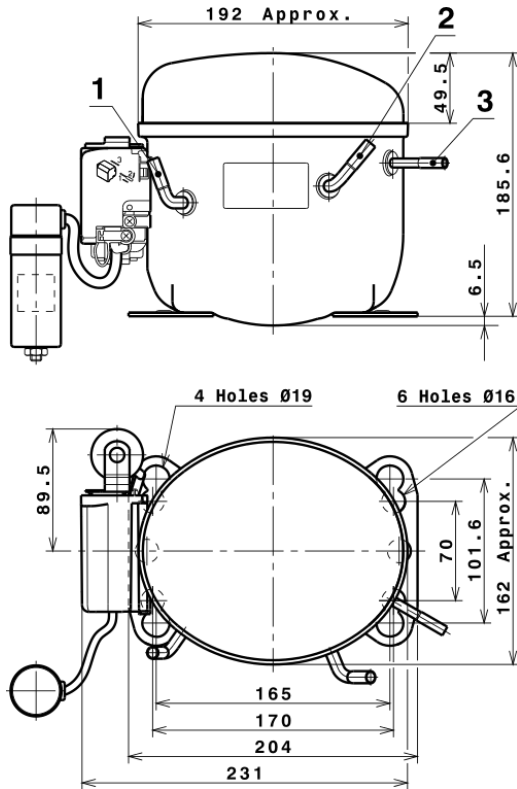
EN12900

X	Cooling Capacity (W)	Consumption (W)	Current (A)	Mass Flow (kg/h)
1	1.105,4580899417	144,2552182679	0,7909972548	20,652650214042
2	33,3459831295	-0,4361681755	-0,0015214410	0,73192025582085
3	-11,5947546479	2,7625008520	0,0114965342	-0,062415753888599
4	0,1978981272	0,0021669064	-0,0000089463	0,0091449185680802
5	-0,2868387055	0,0940249036	0,0003877259	-0,00043219169780961

Equation	$x_1 + x_2Te + x_3Tc + x_4Te^2 + x_5TeTc$
----------	---

Technical Data Sheet

COMPRESSOR DIMENSIONS

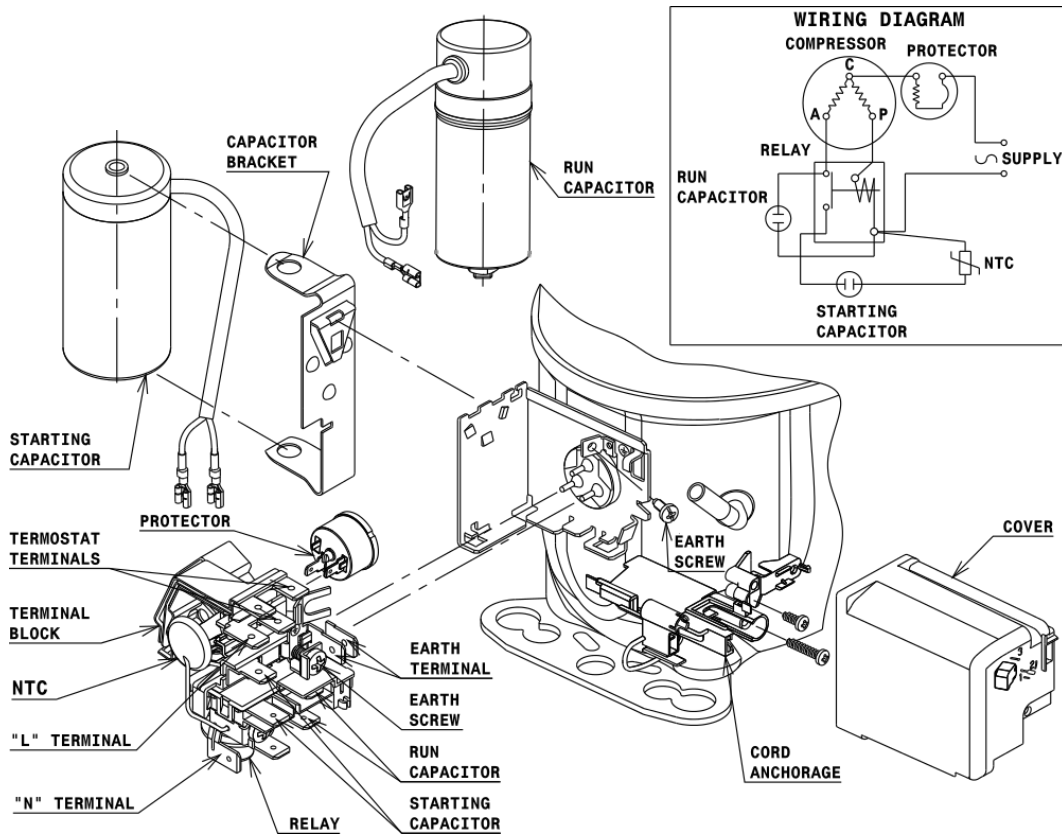


DESIGNATION INTERNAL DIAM.

DESIGNATION	INTERNAL DIAM.
1 Suction	6,5 mm
2 Service	6,5 mm
3 Discharge	4,9 mm

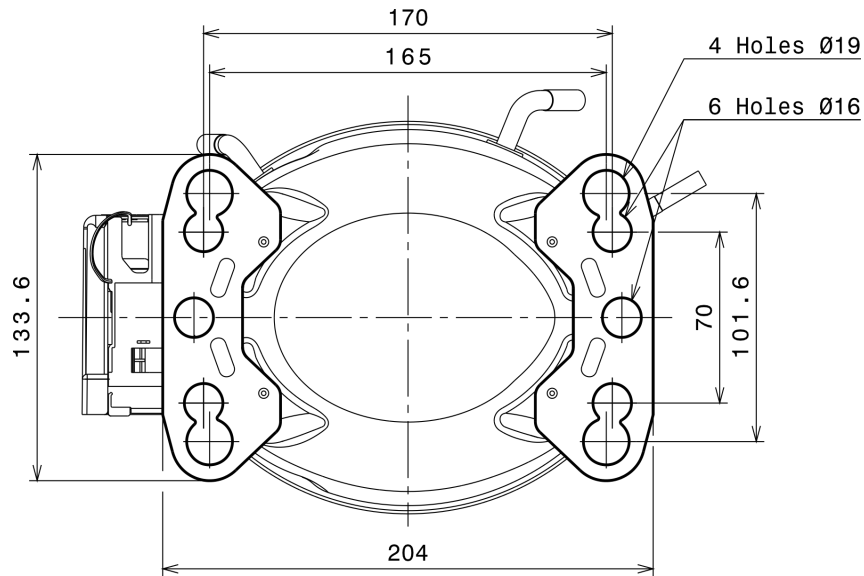
WIRING DIAGRAMS AND ELECTRICAL ASSEMBLY

CSR CONNECTION (CURRENT RELAY + NTC) (L, P ranges)



Technical Data Sheet

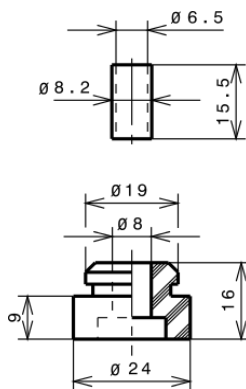
FIXINGS



SILENT BLOCKS (MOUNTING ACCESSORIES)

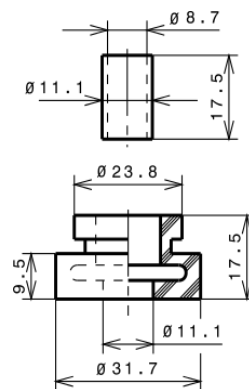
STANDARD

Ø16 holes (170x70 net)



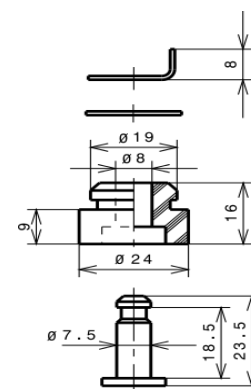
AMERICAN FEET

Ø19 holes (165x101.6 net)



SNAP-ON

Ø16 holes (170x70 net)



SOA

SOA R404A HMBP

