

Technical Data Sheet

Compressor model **ML60TG**
 Voltage **200-220/230V 50/60Hz ~1**
 Refrigerant **R404A**

APPLICATION

COMPRESSOR

MOTOR

Application	High-Medium Back Pressure	Displacement	5,68 cm ³	Nominal Power	1/4 hp
Refrigerant	R404A	Diameter	22,00 mm	Voltage/Frequency	200-220V 50Hz
Evaporating Temp.	-25,0 °C to 10,0 °C	Stroke	14,92 mm	Voltage range	170-242 V
Expansion	Capillar/Valve	Net Weight	10,57 Kg	Type	CSIR
Comp. Cooling	Fan cooled	Oil type	ISO VG 32 ESTER	Phase number	1 PH
Max. ambient temp.	43,0 °C	Oil charge	300 cm ³	Locked Rotor Amps (LRA)	12,00 A
				Max. Cont. Current (MCC)	5,10 A
				Main W. resist. at 25°C	6,50 Ω
				Start W. resist. at 25°C	33,20 Ω

NOMINAL PERFORMANCE

APPROVALS

	ASHRAE	CECOMAF
Cooling Capacity	700 kCal/h	643 W
COP	1,85 W/W	1,50 W/W
EER	1,59 kCal/Wh	1,30 kCal/Wh
Input Power	440 W	427 W
Current	2,75 A	2,69 A

TEST CYCLE CONDITIONS

	ASHRAE HMBP (D)	CECOMAF HMBP (C)
Evaporating temp. (T _e)	7,2 °C	5,0 °C
Condensing temp. (T _c)	55,0 °C	55,0 °C
Liquid temp. (T _{liq.})	46,0 °C	55,0 °C
Ambient temp. (T _{amb.})	35,0 °C	32,0 °C
Suction temp. (T _{suction})	35,0 °C	32,0 °C
Voltage/Frequency	200 V 50 Hz	200 V 50 Hz

ELECTRICAL COMPONENTS

Starting capacitor	47- 56 µF 330 V			
Relay	Option 1			
Reference	2014 138.			
Pick-Up	6,10 A			
Drop-Out	5,20 A			
Protector	Option 1	Option 2		
Reference	MRT26AMK	T0181		
Current	11,10 A	11,10 A		
Time check	7,5-14 seg	7,5-14 seg		
Disc temp. (Open/Close)	105,00 / 61,00 °C	105,00 / 61,00 °C		

ASHRAE

Tc °C	Te °C	Cooling Capacity kCal/h	Consumption W	Current A	COP W/W	EER kCal/Wh
40	-25	233	225	1,95	1,20	1,03
40	-20	304	246	2,01	1,43	1,23
40	-15	388	269	2,08	1,68	1,44
40	-10	484	292	2,15	1,93	1,66
40	-5	593	316	2,24	2,18	1,87
40	0	714	342	2,33	2,43	2,09
40	5	847	368	2,43	2,68	2,30
40	7,2	910	380	2,48	2,79	2,39
40	10	993	395	2,55	2,92	2,51

45	-25	210	225	1,95	1,09	0,93
45	-20	274	249	2,02	1,28	1,10
45	-15	350	275	2,10	1,48	1,27
45	-10	439	301	2,18	1,70	1,46
45	-5	541	329	2,28	1,91	1,64
45	0	654	357	2,39	2,13	1,83
45	5	781	387	2,51	2,35	2,02
45	7,2	840	400	2,57	2,44	2,10
45	10	919	417	2,64	2,56	2,20

50	-25	188	225	1,95	0,97	0,83
50	-20	244	253	2,03	1,12	0,97
50	-15	313	281	2,12	1,30	1,11
50	-10	395	311	2,22	1,48	1,27
50	-5	489	341	2,33	1,67	1,43
50	0	595	373	2,45	1,86	1,60
50	5	714	405	2,59	2,05	1,76
50	7,2	770	420	2,66	2,13	1,83
50	10	845	439	2,74	2,24	1,93

55	-25	165	225	1,95	0,85	0,73
55	-20	214	256	2,04	0,97	0,84
55	-15	276	287	2,14	1,12	0,96
55	-10	350	320	2,25	1,27	1,09
55	-5	437	354	2,38	1,44	1,23
55	0	536	388	2,52	1,60	1,38
55	5	647	424	2,68	1,77	1,53
55	7,2	700	440	2,75	1,85	1,59
55	10	771	461	2,85	1,95	1,67

60	-25	143	225	1,95	0,74	0,63
60	-20	184	259	2,05	0,83	0,71
60	-15	239	294	2,16	0,95	0,81
60	-10	305	329	2,28	1,08	0,93
60	-5	385	366	2,43	1,22	1,05
60	0	476	404	2,59	1,37	1,18
60	5	580	443	2,76	1,52	1,31
60	7,2	630	460	2,85	1,59	1,37
60	10	697	482	2,96	1,68	1,44

CECOMAF

Tc °C	Te °C	Cooling Capacity W	Consumption W	Current A	COP W/W	EER kCal/Wh
40	-25	244	226	1,95	1,08	0,93
40	-20	320	248	2,01	1,29	1,12
40	-15	409	270	2,08	1,51	1,31
40	-10	510	294	2,16	1,74	1,50
40	-5	623	318	2,24	1,96	1,69
40	0	749	344	2,34	2,18	1,88
40	5	886	371	2,45	2,39	2,06
40	7,2	950	383	2,50	2,48	2,14
40	10	1.035	399	2,56	2,60	2,24

45	-25	217	226	1,95	0,96	0,83
45	-20	285	251	2,02	1,14	0,98
45	-15	365	277	2,10	1,32	1,14
45	-10	457	303	2,19	1,51	1,30
45	-5	561	331	2,29	1,69	1,46
45	0	677	360	2,40	1,88	1,63
45	5	805	390	2,52	2,07	1,78
45	7,2	865	403	2,58	2,15	1,85
45	10	945	420	2,66	2,25	1,94

50	-25	191	226	1,95	0,85	0,73
50	-20	250	254	2,03	0,98	0,85
50	-15	320	283	2,12	1,13	0,98
50	-10	403	313	2,22	1,29	1,11
50	-5	498	343	2,34	1,45	1,25
50	0	605	375	2,46	1,61	1,39
50	5	724	408	2,61	1,77	1,53
50	7,2	780	423	2,67	1,84	1,59
50	10	855	442	2,76	1,93	1,67

55	-25	165	226	1,95	0,73	0,63
55	-20	215	257	2,04	0,83	0,72
55	-15	276	289	2,14	0,95	0,83
55	-10	350	322	2,26	1,09	0,94
55	-5	435	356	2,39	1,22	1,06
55	0	533	391	2,53	1,36	1,18
55	5	643	427	2,69	1,50	1,30
55	7,2	695	443	2,77	1,57	1,35
55	10	765	464	2,87	1,65	1,42

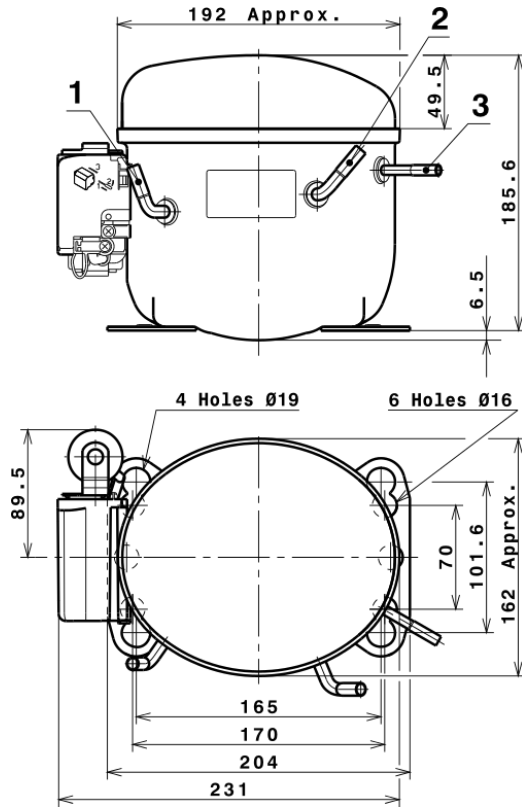
60	-25	139	226	1,95	0,62	0,53
60	-20	179	260	2,05	0,69	0,60
60	-15	232	295	2,16	0,78	0,68
60	-10	296	331	2,29	0,89	0,77
60	-5	372	369	2,44	1,01	0,87
60	0	461	407	2,60	1,13	0,98
60	5	562	446	2,78	1,26	1,09
60	7,2	610	464	2,86	1,32	1,14
60	10	674	486	2,98	1,39	1,20

EN12900

X	Cooling Capacity (W)	Consumption (W)	Current (A)	Mass Flow (kg/h)
1	1.323,7214030896	225,1647577899	1,7471360138	26,290272144567
2	40,8635412866	0,3874863004	-0,0006014385	0,93645715122666
3	-14,8753623679	3,2368531510	0,0152410703	-0,13951217810676
4	0,2292029353	0,0259262744	0,0003298541	0,010466850889953
5	-0,3852382620	0,1294741260	0,0006096428	-0,0026528346473223

Equation	$x_1 + x_2Te + x_3Tc + x_4Te^2 + x_5TeTc$
----------	-------------------------------------------

COMPRESSOR DIMENSIONS



DESIGNATION INTERNAL DIAM.

1	Suction	6,5 mm
2	Service	6,5 mm
3	Discharge	4,9 mm

WIRING DIAGRAMS AND ELECTRICAL ASSEMBLY

CSIR CONNECTION (L, P ranges)



Technical Data Sheet

FIXINGS



SILENT BLOCKS (MOUNTING ACCESSORIES)

STANDARD

$\varnothing 16$ holes (170x70 net)



AMERICAN FEET

$\varnothing 19$ holes (165x101.6 net)



SNAP-ON

$\varnothing 16$ holes (170x70 net)



SOA

SOA R404A HMBP

