

Technical Data Sheet

Compressor model **L57TN**
 Voltage **200-220/230V 50/60Hz ~1**
 Refrigerant **R22**

APPLICATION

COMPRESSOR

MOTOR

Application	High-Medium Back Pressure	Displacement	5,68 cm ³	Nominal Power	1/5 hp
Refrigerant	R22	Diameter	22,00 mm	Voltage/Frequency	200-220V 50Hz
Evaporating Temp.	-25,0 °C to 10,0 °C	Stroke	14,92 mm	Voltage range	180-242 V
Expansion	Capillar/Valve	Net Weight	9,50 Kg	Type	CSIR
Comp. Cooling	Fan cooled	Oil type	ISO VG 46 MINER	Phase number	1 PH
Max. ambient temp.	43,0 °C	Oil charge	300 cm ³	Locked Rotor Amps (LRA)	11,40 A
				Max. Cont. Current (MCC)	3,60 A
				Main W. resist. at 25°C	6,63 Ω
				Start W. resist. at 25°C	33,24 Ω

NOMINAL PERFORMANCE

	ASHRAE	CECOMAF
Cooling Capacity	630 kCal/h	625 W
COP	1,98 W/W	1,74 W/W
EER	1,70 kCal/Wh	1,51 kCal/Wh
Input Power	370 W	359 W
Current	2,30 A	2,25 A

APPROVALS



TEST CYCLE CONDITIONS

	ASHRAE HMBP (D)	CECOMAF HMBP (C)
Evaporating temp. (T _e)	7,2 °C	5,0 °C
Condensing temp. (T _c)	55,0 °C	55,0 °C
Liquid temp. (T _{liq.})	46,0 °C	55,0 °C
Ambient temp. (T _{amb.})	35,0 °C	32,0 °C
Suction temp. (T _{suction})	35,0 °C	32,0 °C
Voltage/Frequency	200 V 50 Hz	200 V 50 Hz

ELECTRICAL COMPONENTS

Starting capacitor	47- 56 µF 330 V		
Relay	Option 1		
Reference	2014 135.		
Pick-Up	5,80 A		
Drop-Out	4,95 A		
Protector	Option 1	Option 2	
Reference	MRT26AMK	T0181	
Current	11,10 A	11,10 A	
Time check	7,5-14 seg	7,5-14 seg	
Disc temp. (Open/Close)	105,00 / 61,00 °C	105,00 / 61,00 °C	

ASHRAE

Tc °C	Te °C	Cooling Capacity kCal/h	Consumption W	Current A	COP W/W	EER kCal/Wh
40	-25	190	189	1,58	1,17	1,01
40	-20	252	204	1,64	1,43	1,23
40	-15	325	221	1,70	1,71	1,47
40	-10	411	239	1,78	2,00	1,72
40	-5	508	258	1,85	2,29	1,97
40	0	617	278	1,93	2,58	2,22
40	5	738	300	2,02	2,86	2,46
40	7,2	795	310	2,06	2,98	2,56
40	10	871	323	2,11	3,14	2,70

45	-25	175	191	1,58	1,07	0,92
45	-20	231	209	1,66	1,28	1,10
45	-15	298	229	1,73	1,52	1,30
45	-10	377	249	1,82	1,76	1,51
45	-5	468	271	1,90	2,01	1,73
45	0	571	294	2,00	2,26	1,94
45	5	686	319	2,10	2,50	2,15
45	7,2	740	330	2,14	2,61	2,24
45	10	812	345	2,20	2,74	2,36

50	-25	160	193	1,59	0,96	0,83
50	-20	209	214	1,68	1,14	0,98
50	-15	271	236	1,76	1,33	1,15
50	-10	344	260	1,86	1,54	1,32
50	-5	428	284	1,96	1,75	1,51
50	0	525	310	2,06	1,97	1,69
50	5	634	338	2,17	2,18	1,88
50	7,2	685	350	2,22	2,28	1,96
50	10	754	366	2,28	2,39	2,06

55	-25	145	195	1,60	0,86	0,74
55	-20	188	219	1,69	1,00	0,86
55	-15	243	244	1,79	1,16	1,00
55	-10	310	270	1,90	1,34	1,15
55	-5	389	298	2,01	1,52	1,31
55	0	479	326	2,13	1,71	1,47
55	5	581	356	2,25	1,90	1,63
55	7,2	630	370	2,30	1,98	1,70
55	10	695	388	2,37	2,09	1,79

CECOMAF

Tc °C	Te °C	Cooling Capacity W	Consumption W	Current A	COP W/W	EER kCal/Wh
40	-25	208	190	1,58	1,09	0,94
40	-20	276	205	1,64	1,34	1,16
40	-15	357	222	1,71	1,60	1,39
40	-10	450	240	1,78	1,87	1,62
40	-5	556	260	1,86	2,14	1,85
40	0	675	280	1,94	2,41	2,08
40	5	806	302	2,03	2,67	2,31
40	7,2	868	312	2,07	2,78	2,40
40	10	950	325	2,12	2,92	2,52

45	-25	190	192	1,59	0,99	0,86
45	-20	251	210	1,66	1,20	1,03
45	-15	325	230	1,74	1,41	1,22
45	-10	411	251	1,82	1,64	1,42
45	-5	510	273	1,91	1,87	1,62
45	0	622	296	2,00	2,10	1,81
45	5	746	321	2,10	2,32	2,01
45	7,2	805	332	2,15	2,42	2,09
45	10	883	347	2,21	2,54	2,20

50	-25	173	194	1,60	0,89	0,77
50	-20	227	215	1,68	1,06	0,91
50	-15	293	237	1,77	1,24	1,07
50	-10	373	261	1,86	1,43	1,23
50	-5	464	286	1,96	1,62	1,40
50	0	569	312	2,07	1,82	1,57
50	5	686	340	2,18	2,02	1,74
50	7,2	741	352	2,23	2,10	1,82
50	10	815	369	2,29	2,21	1,91

55	-25	156	196	1,60	0,80	0,69
55	-20	203	220	1,70	0,92	0,80
55	-15	262	245	1,80	1,07	0,92
55	-10	334	272	1,91	1,23	1,06
55	-5	418	299	2,02	1,40	1,21
55	0	515	328	2,13	1,57	1,36
55	5	625	359	2,25	1,74	1,51
55	7,2	677	372	2,31	1,82	1,57
55	10	748	390	2,38	1,92	1,65

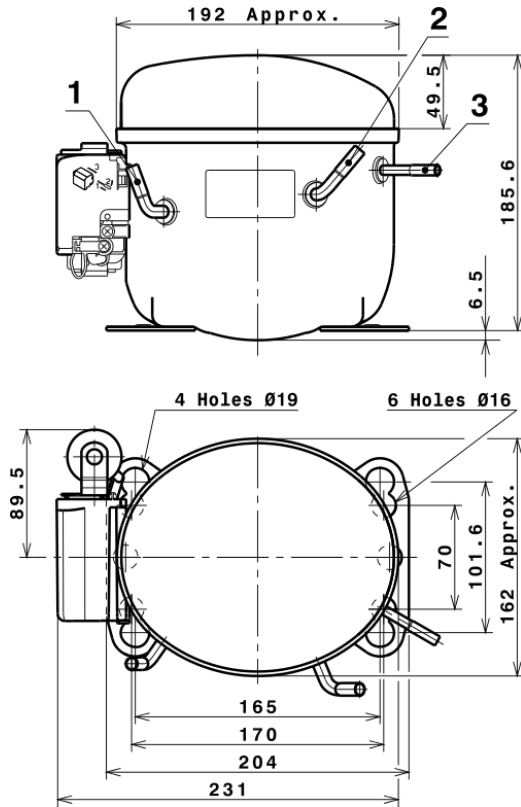
EN12900

X	Cooling Capacity (W)	Consumption (W)	Current (A)	Mass Flow (kg/h)
1	1.114,8923081586	155,2921074477	1,4411684298	19,338799665679
2	37,0999749679	-0,1861738176	-0,0007446953	0,70203029106876
3	-10,9354814429	3,3102100233	0,0132408401	-0,12575617211206
4	0,2548783411	0,0287255386	0,0001149022	0,0068522335633599
5	-0,2981012851	0,1159552297	0,0004638209	-0,0032495132943451

Equation	$x_1 + x_2Te + x_3Tc + x_4Te^2 + x_5TeTc$
----------	---

Technical Data Sheet

COMPRESSOR DIMENSIONS

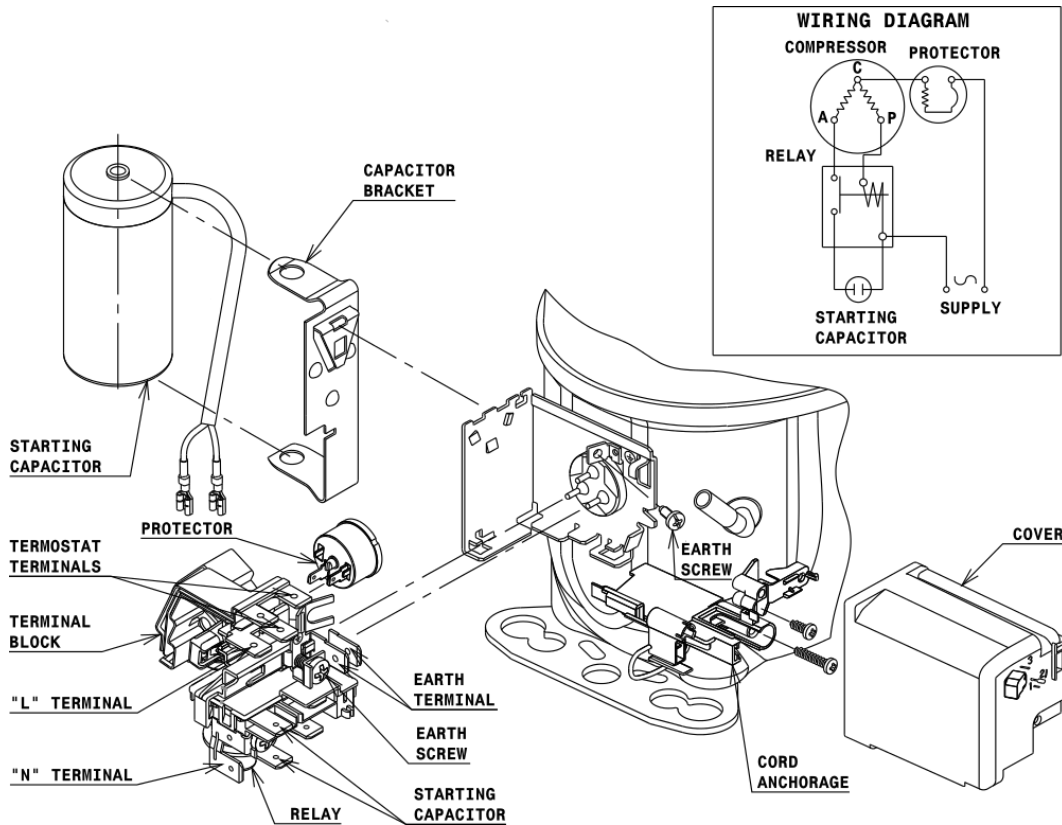


DESIGNATION INTERNAL DIAM.

DESIGNATION	INTERNAL DIAM.
1 Suction	6,5 mm
2 Service	6,5 mm
3 Discharge	4,9 mm

WIRING DIAGRAMS AND ELECTRICAL ASSEMBLY

CSIR CONNECTION (L, P ranges)



Technical Data Sheet

FIXINGS



SILENT BLOCKS (MOUNTING ACCESSORIES)

STANDARD

Ø16 holes (170x70 net)



AMERICAN FEET

Ø19 holes (165x101.6 net)



SNAP-ON

Ø16 holes (170x70 net)



SOA

SOA R22 HMBP

