

Technical Data Sheet

Compressor model **GUY72RCa**
 Voltage **100V 50/60Hz ~1**
 Refrigerant **R134a**

APPLICATION

COMPRESSOR

MOTOR

Application	High-Medium Back Pressure	Displacement	7,20 cm ³	Nominal Power	1/4 hp
Refrigerant	R134a	Diameter	22,00 mm	Voltage/Frequency	100V 50Hz
Evaporating Temp.	-25,0 °C to 10,0 °C	Stroke	19,00 mm	Voltage range	85-110 V
Expansion	Capillar/Valve	Net Weight	9,52 Kg	Type	CSIR
Comp. Cooling	Fan cooled	Oil type	ISO VG 32 ESTER	Phase number	1 PH
Max. ambient temp.	43,0 °C	Oil charge	200 cm ³	Locked Rotor Amps (LRA)	23,50 A
Compatible refriger.	R1234yf			Max. Cont. Current (MCC)	6,10 A
				Main W. resist. at 25°C	1,60 Ω
				Start W. resist. at 25°C	7,20 Ω

NOMINAL PERFORMANCE

APPROVALS

	ASHRAE	CECOMAF
Cooling Capacity	665 kCal/h	646 W
COP	2,60 W/W	2,24 W/W
EER	2,24 kCal/Wh	1,94 kCal/Wh
Input Power	297 W	288 W
Current	4,08 A	4,01 A

TEST CYCLE CONDITIONS

	ASHRAE HMBP (D)	CECOMAF HMBP (C)
Evaporating temp. (T _e)	7,2 °C	5,0 °C
Condensing temp. (T _c)	55,0 °C	55,0 °C
Liquid temp. (T _{liq.})	46,0 °C	55,0 °C
Ambient temp. (T _{amb.})	35,0 °C	32,0 °C
Suction temp. (T _{suction})	35,0 °C	32,0 °C
Voltage/Frequency	100 V 50 Hz	100 V 50 Hz

ELECTRICAL COMPONENTS

Starting capacitor	125 µF 160 V			
Relay	Option 1			
Reference	2014 166.			
Pick-Up	11,00 A			
Drop-Out	9,35 A			
Protector	Option 1			
Reference	T0260			
Current	22,00 A			
Time check	7,5-14 seg			
Disc temp. (Open/Close)	105,00 / 52,00 °C			

ASHRAE

Tc °C	Te °C	Cooling Capacity kCal/h	Consumption W	Current A	COP W/W	EER kCal/Wh
40	-25	175	146	3,11	1,39	1,20
40	-20	234	161	3,18	1,69	1,46
40	-15	307	177	3,26	2,02	1,74
40	-10	393	193	3,35	2,37	2,03
40	-5	492	210	3,45	2,72	2,34
40	0	604	228	3,56	3,08	2,65
40	5	730	247	3,69	3,44	2,96
40	7,2	789	255	3,75	3,60	3,09
40	10	868	266	3,83	3,80	3,27

45	-25	165	149	3,13	1,29	1,10
45	-20	220	166	3,21	1,54	1,32
45	-15	287	183	3,30	1,82	1,57
45	-10	368	201	3,40	2,13	1,83
45	-5	462	220	3,51	2,44	2,10
45	0	570	240	3,64	2,76	2,38
45	5	690	260	3,79	3,09	2,66
45	7,2	748	269	3,86	3,23	2,78
45	10	824	281	3,95	3,41	2,94

50	-25	155	153	3,14	1,18	1,02
50	-20	205	171	3,23	1,39	1,20
50	-15	268	190	3,33	1,64	1,41
50	-10	344	210	3,45	1,91	1,64
50	-5	433	230	3,58	2,19	1,88
50	0	535	251	3,72	2,48	2,13
50	5	651	273	3,89	2,77	2,38
50	7,2	706	283	3,97	2,90	2,50
50	10	780	296	4,07	3,07	2,64

55	-25	145	156	3,16	1,08	0,93
55	-20	190	176	3,26	1,25	1,08
55	-15	248	197	3,37	1,47	1,26
55	-10	319	218	3,50	1,70	1,46
55	-5	403	240	3,65	1,95	1,68
55	0	501	263	3,81	2,22	1,91
55	5	612	286	3,99	2,49	2,14
55	7,2	665	297	4,08	2,60	2,24
55	10	736	311	4,20	2,76	2,37

60	-25	135	159	3,18	0,99	0,85
60	-20	175	181	3,28	1,12	0,97
60	-15	228	203	3,41	1,30	1,12
60	-10	294	226	3,55	1,51	1,30
60	-5	374	250	3,72	1,74	1,50
60	0	467	275	3,90	1,98	1,70
60	5	573	300	4,10	2,22	1,91
60	7,2	624	311	4,20	2,33	2,01
60	10	692	326	4,33	2,47	2,13

65	-25	125	163	3,19	0,89	0,77
65	-20	160	186	3,31	1,00	0,86
65	-15	208	210	3,45	1,15	0,99
65	-10	270	235	3,61	1,34	1,15
65	-5	345	260	3,79	1,54	1,33
65	0	432	286	3,99	1,76	1,51
65	5	534	313	4,22	1,98	1,71
65	7,2	582	325	4,33	2,08	1,79
65	10	648	341	4,47	2,21	1,90

CECOMAF

Tc °C	Te °C	Cooling Capacity W	Consumption W	Current A	COP W/W	EER kCal/Wh
40	-25	189	147	3,12	1,28	1,11
40	-20	253	162	3,19	1,56	1,35
40	-15	332	178	3,27	1,87	1,61
40	-10	424	194	3,36	2,19	1,89
40	-5	531	211	3,46	2,51	2,17
40	0	651	229	3,57	2,84	2,45
40	5	786	248	3,70	3,17	2,74
40	7,2	849	257	3,76	3,31	2,86
40	10	934	268	3,85	3,49	3,01

45	-25	177	150	3,13	1,18	1,02
45	-20	236	167	3,21	1,41	1,22
45	-15	309	184	3,30	1,67	1,45
45	-10	395	203	3,41	1,95	1,69
45	-5	496	221	3,52	2,24	1,94
45	0	611	241	3,65	2,53	2,19
45	5	739	262	3,80	2,83	2,44
45	7,2	800	271	3,87	2,96	2,55
45	10	882	283	3,96	3,12	2,69

50	-25	165	153	3,15	1,08	0,93
50	-20	218	172	3,24	1,27	1,10
50	-15	285	191	3,34	1,49	1,29
50	-10	366	211	3,46	1,74	1,50
50	-5	461	231	3,59	1,99	1,72
50	0	570	253	3,74	2,26	1,95
50	5	693	275	3,90	2,52	2,18
50	7,2	751	285	3,98	2,64	2,28
50	10	829	298	4,09	2,79	2,41

55	-25	153	157	3,16	0,98	0,85
55	-20	201	177	3,26	1,14	0,98
55	-15	262	198	3,38	1,33	1,15
55	-10	337	219	3,51	1,54	1,33
55	-5	426	241	3,66	1,77	1,53
55	0	530	265	3,82	2,00	1,73
55	5	646	288	4,01	2,24	1,94
55	7,2	702	299	4,10	2,35	2,03
55	10	777	313	4,21	2,49	2,15

60	-25	142	160	3,18	0,89	0,76
60	-20	183	182	3,29	1,01	0,87
60	-15	239	204	3,42	1,17	1,01
60	-10	308	228	3,56	1,35	1,17
60	-5	392	252	3,73	1,56	1,35
60	0	489	276	3,91	1,77	1,53
60	5	600	302	4,12	1,99	1,72
60	7,2	653	313	4,22	2,09	1,80
60	10	725	328	4,35	2,21	1,91

65	-25	130	164	3,20	0,80	0,69
65	-20	166	187	3,32	0,89	0,77
65	-15	216	211	3,46	1,02	0,88
65	-10	279	236	3,62	1,18	1,02
65	-5	357	262	3,80	1,36	1,18
65	0	448	288	4,00	1,56	1,35
65	5	554	315	4,23	1,76	1,52
65	7,2	605	327	4,34	1,85	1,60
65	10	673	343	4,49	1,96	1,70

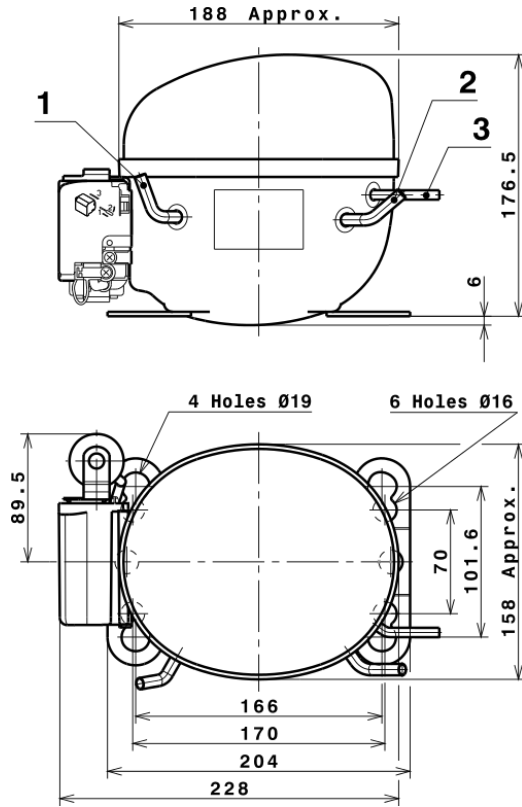
EN12900

X	Cooling Capacity (W)	Consumption (W)	Current (A)	Mass Flow (kg/h)
1	980,1245383103	139,3034990644	2,8390863219	16,127186295856
2	34,7994166553	1,0823711233	0,0029267056	0,65245983047192
3	-8,4274659356	2,4024910753	0,0188893717	-0,045452383054887
4	0,2734137036	0,0166293566	0,0003831049	0,0078824655182293
5	-0,2413591313	0,0686945997	0,0006282691	-0,0011485145555236

Equation	$x_1 + x_2Te + x_3Tc + x_4Te^2 + x_5TeTc$
----------	---

Technical Data Sheet

COMPRESSOR DIMENSIONS

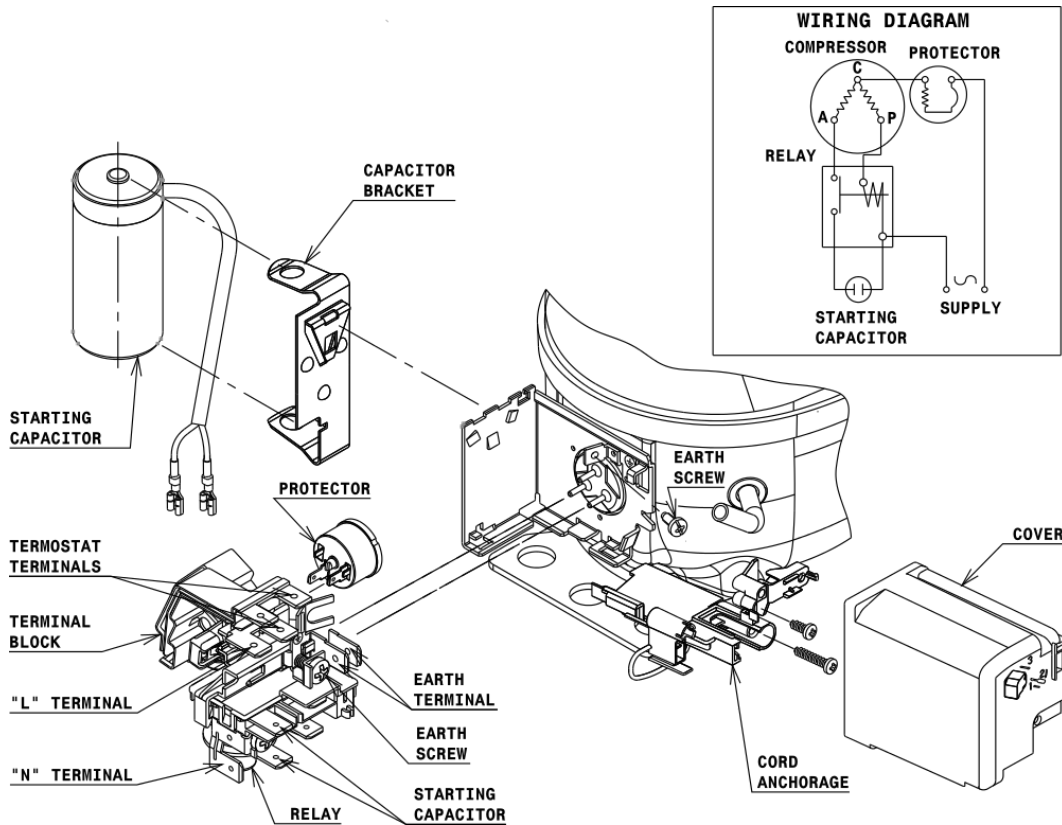


DESIGNATION INTERNAL DIAM.

DESIGNATION	INTERNAL DIAM.
1 Service	6,2 mm
2 Suction	6,2 mm
3 Discharge	4,9 mm

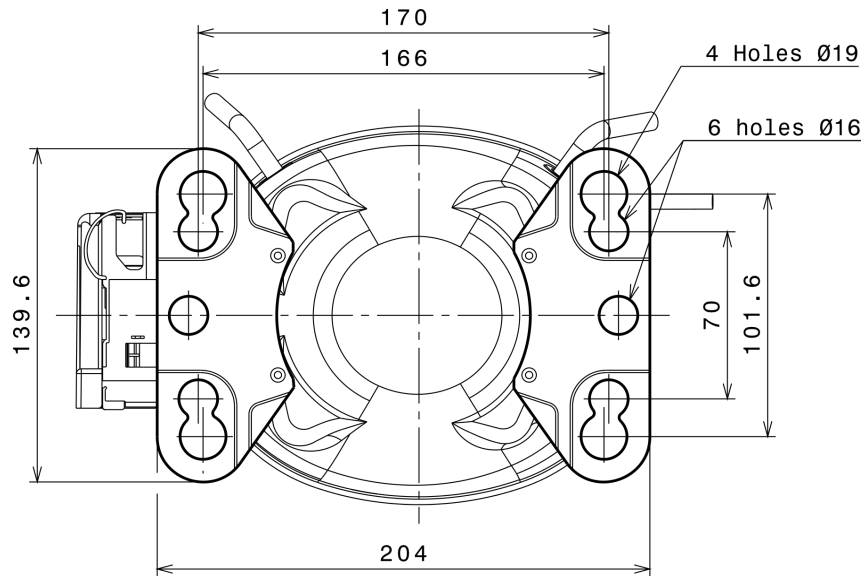
WIRING DIAGRAMS AND ELECTRICAL ASSEMBLY

CSIR CONNECTION (U range)



Technical Data Sheet

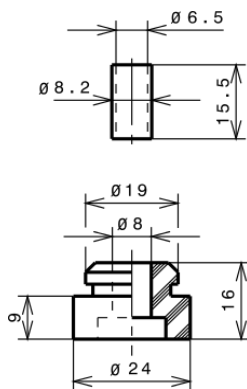
FIXINGS



SILENT BLOCKS (MOUNTING ACCESSORIES)

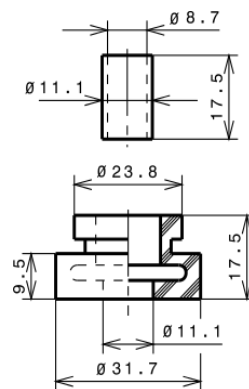
STANDARD

Ø16 holes (170x70 net)



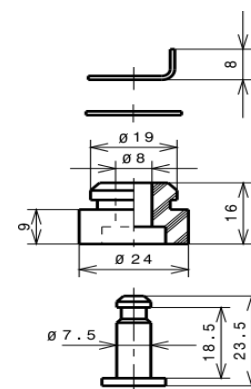
AMERICAN FEET

Ø19 holes (166x101.6 net)



SNAP-ON

Ø16 holes (170x70 net)



SOA

SOA R134a HMBP

