

# Technical Data Sheet

Compressor model **GUY70NRb**  
 Voltage **115-127V 60Hz ~1**  
 Refrigerant **R134a**

## APPLICATION

## COMPRESSOR

## MOTOR

Application	Low-Medium Back Pressure	Displacement	6,70 cm <sup>3</sup>	Nominal Power	1/5 hp
Refrigerant	R134a	Diameter	21,99 mm	Voltage/Frequency	115-127V 60Hz
Evaporating Temp.	-35,0 °C to 0,0 °C	Stroke	17,50 mm	Voltage range	98-140 V
Expansion	Capillar	Net Weight	9,00 Kg	Type	CSIR
Comp. Cooling	Fan cooled	Oil type	ISO VG 10 ESTER	Phase number	1 PH
Max. ambient temp.	43,0 °C	Oil charge	200 cm <sup>3</sup>	Locked Rotor Amps (LRA)	21,00 A
Compatible refriger.	R1234yf			Max. Cont. Current (MCC)	4,90 A
				Main W. resist. at 25°C	2,60 Ω
				Start W. resist. at 25°C	14,65 Ω

## NOMINAL PERFORMANCE

## APPROVALS

	ASHRAE	CECOMAF
Cooling Capacity	198 kCal/h	168 W
COP	1,50 W/W	1,15 W/W
EER	1,29 kCal/Wh	0,99 kCal/Wh
Input Power	154 W	146 W
Current	2,22 A	2,18 A

## TEST CYCLE CONDITIONS

	ASHRAE LMBP (B)	CECOMAF LMBP (A)
Evaporating temp. (T <sub>e</sub> )	-23,3 °C	-25,0 °C
Condensing temp. (T <sub>c</sub> )	55,0 °C	55,0 °C
Liquid temp. (T <sub>liq.</sub> )	32,0 °C	55,0 °C
Ambient temp. (T <sub>amb.</sub> )	32,0 °C	32,0 °C
Suction temp. (T <sub>suction</sub> )	32,0 °C	32,0 °C
Voltage/Frequency	115 V 60 Hz	115 V 60 Hz

## ELECTRICAL COMPONENTS

Starting capacitor	125 µF 160 V			
Relay	Option 1			
Reference	2014 166.			
Pick-Up	11,00 A			
Drop-Out	9,35 A			
Protector	Option 1			
Reference	T0252			
Current	11,50 A			
Time check	7,5-14 seg			
Disc temp. (Open/Close)	105,00 / 52,00 °C			

## ASHRAE

Tc °C	Te °C	Cooling Capacity kCal/h	Consumption W	Current A	COP W/W	EER kCal/Wh
40	-35	114	108	1,98	1,23	1,06
40	-30	152	121	2,05	1,46	1,25
40	-25	203	136	2,12	1,74	1,49
40	-23,3	224	142	2,15	1,84	1,58
40	-20	268	154	2,22	2,03	1,75
40	-15	347	173	2,33	2,33	2,01
40	-10	439	194	2,46	2,63	2,26
40	-5	545	218	2,62	2,91	2,50
40	0	664	243	2,80	3,18	2,73

45	-35	106	107	1,98	1,16	0,99
45	-30	144	122	2,05	1,37	1,18
45	-25	195	140	2,14	1,62	1,40
45	-23,3	215	146	2,18	1,72	1,48
45	-20	259	159	2,25	1,90	1,63
45	-15	338	180	2,38	2,18	1,87
45	-10	429	204	2,53	2,45	2,11
45	-5	535	229	2,70	2,71	2,33
45	0	653	257	2,91	2,96	2,54

50	-35	99	106	1,97	1,08	0,93
50	-30	136	123	2,06	1,28	1,10
50	-25	186	143	2,16	1,52	1,30
50	-23,3	207	150	2,20	1,60	1,38
50	-20	251	164	2,28	1,77	1,52
50	-15	328	188	2,42	2,03	1,75
50	-10	420	214	2,59	2,28	1,96
50	-5	524	241	2,79	2,53	2,17
50	0	643	271	3,02	2,76	2,37

55	-35	91	105	1,97	1,01	0,87
55	-30	128	125	2,06	1,19	1,02
55	-25	178	146	2,18	1,41	1,22
55	-23,3	198	154	2,22	1,50	1,29
55	-20	242	170	2,31	1,65	1,42
55	-15	319	196	2,47	1,90	1,63
55	-10	410	223	2,66	2,13	1,83
55	-5	514	253	2,88	2,36	2,03
55	0	632	285	3,13	2,58	2,22

60	-35	83	104	1,97	0,93	0,80
60	-30	120	126	2,07	1,11	0,95
60	-25	169	149	2,19	1,32	1,13
60	-23,3	189	158	2,24	1,39	1,20
60	-20	233	175	2,34	1,54	1,33
60	-15	309	203	2,52	1,77	1,52
60	-10	400	233	2,73	2,00	1,72
60	-5	504	265	2,97	2,21	1,90
60	0	621	299	3,25	2,42	2,08

65	-35	76	103	1,96	0,85	0,73
65	-30	111	127	2,08	1,02	0,88
65	-25	161	153	2,21	1,22	1,05
65	-23,3	181	162	2,27	1,30	1,11
65	-20	224	181	2,38	1,44	1,24
65	-15	300	211	2,57	1,66	1,42
65	-10	390	243	2,80	1,87	1,61
65	-5	494	277	3,06	2,07	1,78
65	0	611	313	3,37	2,27	1,95

## CECOMAF

Tc °C	Te °C	Cooling Capacity W	Consumption W	Current A	COP W/W	EER kCal/Wh
40	-35	124	108	1,98	1,15	0,99
40	-30	172	121	2,05	1,42	1,22
40	-25	232	136	2,12	1,70	1,47
40	-23,3	255	142	2,15	1,80	1,55
40	-20	305	154	2,22	1,98	1,71
40	-15	390	173	2,33	2,26	1,95
40	-10	488	194	2,46	2,51	2,17
40	-5	599	218	2,62	2,75	2,38
40	0	722	243	2,80	2,97	2,57

45	-35	111	107	1,98	1,04	0,90
45	-30	155	122	2,05	1,26	1,09
45	-25	211	140	2,14	1,51	1,30
45	-23,3	232	146	2,18	1,59	1,38
45	-20	279	159	2,25	1,76	1,52
45	-15	360	180	2,38	2,00	1,73
45	-10	454	204	2,53	2,23	1,92
45	-5	561	229	2,70	2,44	2,11
45	0	680	257	2,91	2,64	2,29

50	-35	99	106	1,97	0,93	0,80
50	-30	138	123	2,06	1,12	0,96
50	-25	189	143	2,16	1,32	1,14
50	-23,3	210	150	2,20	1,40	1,21
50	-20	254	164	2,28	1,54	1,33
50	-15	330	188	2,42	1,76	1,52
50	-10	420	214	2,59	1,97	1,70
50	-5	522	241	2,79	2,16	1,87
50	0	637	271	3,02	2,35	2,03

55	-35	86	105	1,97	0,82	0,71
55	-30	121	125	2,06	0,97	0,84
55	-25	168	146	2,18	1,15	0,99
55	-23,3	187	154	2,22	1,21	1,05
55	-20	228	170	2,31	1,34	1,16
55	-15	301	196	2,47	1,54	1,33
55	-10	386	223	2,66	1,73	1,49
55	-5	484	253	2,88	1,91	1,65
55	0	595	285	3,13	2,09	1,80

60	-35	73	104	1,97	0,71	0,61
60	-30	104	126	2,07	0,83	0,71
60	-25	147	149	2,19	0,98	0,85
60	-23,3	164	158	2,24	1,04	0,90
60	-20	203	175	2,34	1,16	1,00
60	-15	271	203	2,52	1,33	1,15
60	-10	352	233	2,73	1,51	1,30
60	-5	446	265	2,97	1,68	1,45
60	0	552	299	3,25	1,85	1,59

65	-35	61	103	1,96	0,59	0,51
65	-30	87	127	2,08	0,68	0,59
65	-25	126	153	2,21	0,82	0,71
65	-23,3	142	162	2,27	0,87	0,76
65	-20	177	181	2,38	0,98	0,85
65	-15	241	211	2,57	1,14	0,99
65	-10	318	243	2,80	1,31	1,13
65	-5	407	277	3,06	1,47	1,27
65	0	509	313	3,37	1,63	1,41

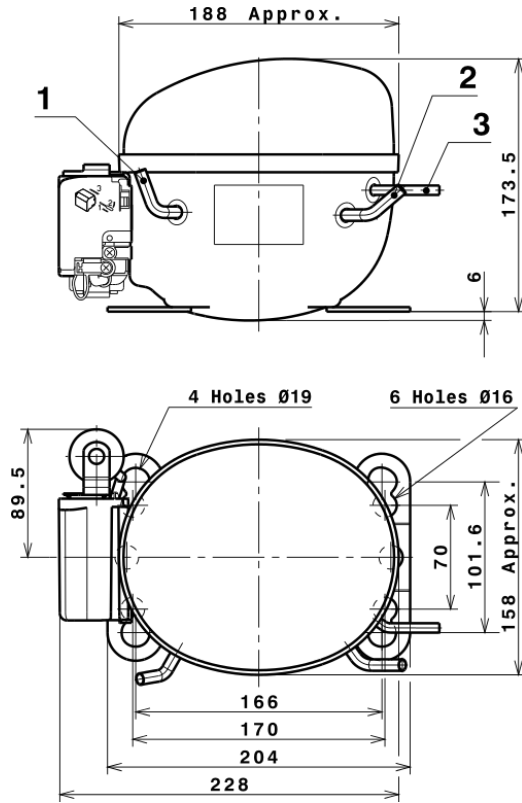
## EN12900

X	Cooling Capacity (W)	Consumption (W)	Current (A)	Mass Flow (kg/h)
1	1.064,0749373984	134,3834139109	1,9280146156	18,083908595926
2	32,6686091221	1,9558299499	0,0157345712	0,63709224309384
3	-8,8032494288	2,8723172439	0,0229737194	-0,05158398530582
4	0,2476656306	0,0429101756	0,0005352598	0,0067919104485985
5	-0,1786225304	0,0879033661	0,0006836959	-0,00044765777875414

Equation	$x_1 + x_2Te + x_3Tc + x_4Te^2 + x_5TeTc$
----------	---

# Technical Data Sheet

## COMPRESSOR DIMENSIONS

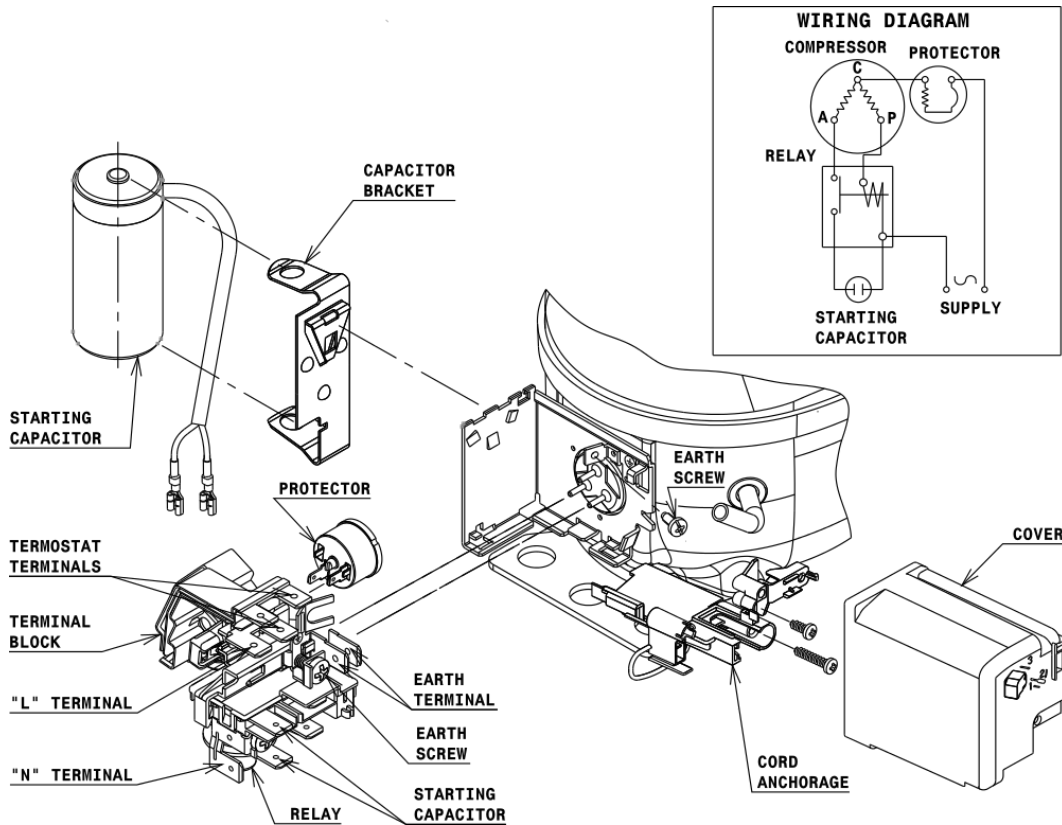


## DESIGNATION INTERNAL DIAM.

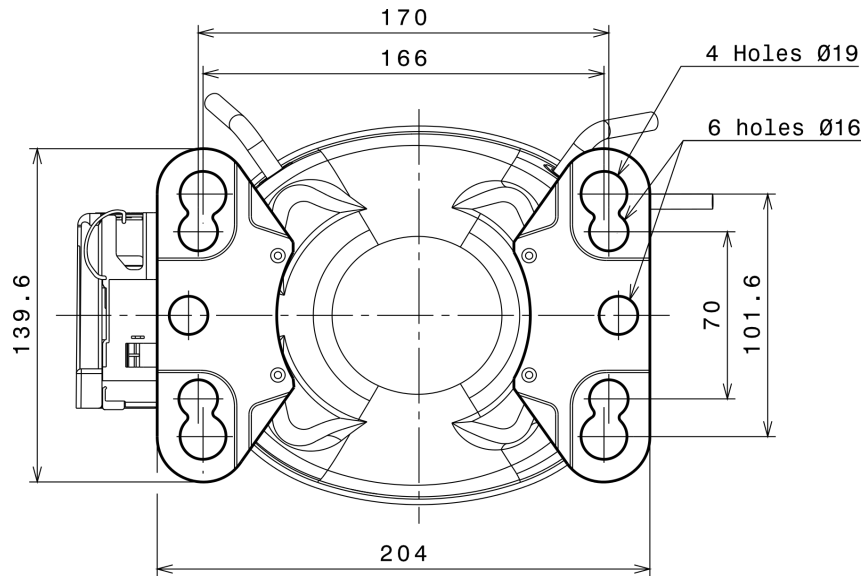
DESIGNATION	INTERNAL DIAM.
1 Service	6,2 mm
2 Suction	6,2 mm
3 Discharge	4,9 mm

## WIRING DIAGRAMS AND ELECTRICAL ASSEMBLY

### CSIR CONNECTION (U range)



## FIXINGS



## SILENT BLOCKS (MOUNTING ACCESSORIES)

### STANDARD

$\varnothing 16$  holes (170x70 net)



### AMERICAN FEET

$\varnothing 19$  holes (166x101.6 net)



### SNAP-ON

$\varnothing 16$  holes (170x70 net)



## SOA

SOA R134a LMBP

