

Technical Data Sheet

Compressor model **GUY60NRb**
 Voltage **115-127V 60Hz ~1**
 Refrigerant **R134a**

APPLICATION

COMPRESSOR

MOTOR

Application	Low-Medium Back Pressure	Displacement	6,00 cm ³	Nominal Power	1/5 hp
Refrigerant	R134a	Diameter	22,00 mm	Voltage/Frequency	115-127V 60Hz
Evaporating Temp.	-35,0 °C to 0,0 °C	Stroke	16,00 mm	Voltage range	98-140 V
Expansion	Capillar/Valve	Net Weight	8,70 Kg	Type	CSIR
Comp. Cooling	Fan cooled	Oil type	ISO VG 10 ESTER	Phase number	1 PH
Max. ambient temp.	43,0 °C	Oil charge	200 cm ³	Locked Rotor Amps (LRA)	18,50 A
Compatible refriger.	R1234yf			Max. Cont. Current (MCC)	5,00 A
				Main W. resist. at 25°C	3,42 Ω
				Start W. resist. at 25°C	14,34 Ω

NOMINAL PERFORMANCE

APPROVALS

	ASHRAE	CECOMAF
Cooling Capacity	186 kCal/h	158 W
COP	1,49 W/W	1,15 W/W
EER	1,28 kCal/Wh	0,99 kCal/Wh
Input Power	145 W	138 W
Current	1,92 A	1,88 A

TEST CYCLE CONDITIONS

	ASHRAE LMBP (B)	CECOMAF LMBP (A)
Evaporating temp. (T _e)	-23,3 °C	-25,0 °C
Condensing temp. (T _c)	55,0 °C	55,0 °C
Liquid temp. (T _{liq.})	32,0 °C	55,0 °C
Ambient temp. (T _{amb.})	32,0 °C	32,0 °C
Suction temp. (T _{suction})	32,0 °C	32,0 °C
Voltage/Frequency	115 V 60 Hz	115 V 60 Hz

ELECTRICAL COMPONENTS

Starting capacitor	150 µF 160 V			
Relay	Option 1			
Reference	2014 158.			
Pick-Up	9,05 A			
Drop-Out	7,70 A			
Protector	Option 1			
Reference	T0266			
Current	11,00 A			
Time check	7,5-14 seg			
Disc temp. (Open/Close)	105,00 / 52,00 °C			

ASHRAE

Tc °C	Te °C	Cooling Capacity kCal/h	Consumption W	Current A	COP W/W	EER kCal/Wh
40	-35	105	98	1,65	1,25	1,07
40	-30	142	111	1,73	1,49	1,28
40	-25	191	126	1,81	1,76	1,52
40	-23,3	210	131	1,84	1,86	1,60
40	-20	251	142	1,90	2,06	1,77
40	-15	323	159	2,01	2,36	2,03
40	-10	405	178	2,13	2,65	2,28
40	-5	500	198	2,26	2,94	2,53
40	0	605	219	2,41	3,21	2,76

45	-35	99	98	1,66	1,17	1,00
45	-30	135	113	1,74	1,39	1,19
45	-25	183	130	1,83	1,64	1,41
45	-23,3	202	136	1,87	1,73	1,49
45	-20	243	148	1,94	1,91	1,64
45	-15	313	167	2,06	2,18	1,88
45	-10	395	187	2,19	2,46	2,11
45	-5	489	209	2,34	2,72	2,34
45	0	593	232	2,50	2,97	2,56

50	-35	92	99	1,66	1,09	0,94
50	-30	128	116	1,75	1,29	1,11
50	-25	175	134	1,85	1,52	1,31
50	-23,3	194	140	1,89	1,61	1,38
50	-20	234	154	1,97	1,77	1,52
50	-15	304	174	2,10	2,03	1,74
50	-10	385	197	2,25	2,28	1,96
50	-5	478	220	2,42	2,52	2,17
50	0	582	245	2,60	2,76	2,37

55	-35	86	99	1,66	1,01	0,87
55	-30	121	118	1,76	1,20	1,03
55	-25	168	138	1,88	1,41	1,22
55	-23,3	186	145	1,92	1,49	1,28
55	-20	225	159	2,01	1,65	1,42
55	-15	295	182	2,15	1,88	1,62
55	-10	375	206	2,32	2,12	1,82
55	-5	467	231	2,50	2,35	2,02
55	0	570	258	2,70	2,57	2,21

60	-35	80	99	1,66	0,93	0,80
60	-30	114	120	1,77	1,11	0,95
60	-25	160	142	1,90	1,31	1,13
60	-23,3	178	150	1,95	1,38	1,19
60	-20	217	165	2,04	1,53	1,31
60	-15	285	190	2,20	1,75	1,50
60	-10	365	215	2,38	1,97	1,69
60	-5	456	243	2,58	2,19	1,88
60	0	558	271	2,80	2,40	2,06

65	-35	73	100	1,66	0,86	0,74
65	-30	107	122	1,79	1,02	0,88
65	-25	152	146	1,92	1,21	1,04
65	-23,3	170	154	1,98	1,28	1,10
65	-20	208	171	2,08	1,42	1,22
65	-15	276	197	2,25	1,63	1,40
65	-10	355	225	2,45	1,84	1,58
65	-5	445	254	2,67	2,04	1,75
65	0	547	284	2,91	2,24	1,92

CECOMAF

Tc °C	Te °C	Cooling Capacity W	Consumption W	Current A	COP W/W	EER kCal/Wh
40	-35	114	98	1,65	1,17	1,01
40	-30	160	111	1,73	1,44	1,24
40	-25	217	126	1,81	1,72	1,49
40	-23,3	238	131	1,84	1,82	1,57
40	-20	284	142	1,90	2,00	1,73
40	-15	362	159	2,01	2,27	1,96
40	-10	450	178	2,13	2,53	2,19
40	-5	549	198	2,26	2,77	2,40
40	0	658	219	2,41	3,01	2,60

45	-35	103	98	1,66	1,05	0,91
45	-30	145	113	1,74	1,28	1,10
45	-25	197	130	1,83	1,52	1,31
45	-23,3	218	136	1,87	1,60	1,38
45	-20	260	148	1,94	1,76	1,52
45	-15	334	167	2,06	2,00	1,73
45	-10	418	187	2,19	2,23	1,93
45	-5	512	209	2,34	2,45	2,12
45	0	617	232	2,50	2,66	2,30

50	-35	92	99	1,66	0,94	0,81
50	-30	130	116	1,75	1,12	0,97
50	-25	178	134	1,85	1,33	1,15
50	-23,3	197	140	1,89	1,40	1,21
50	-20	236	154	1,97	1,54	1,33
50	-15	306	174	2,10	1,75	1,51
50	-10	386	197	2,25	1,96	1,69
50	-5	476	220	2,42	2,16	1,87
50	0	577	245	2,60	2,35	2,03

55	-35	81	99	1,66	0,82	0,71
55	-30	115	118	1,76	0,97	0,84
55	-25	158	138	1,88	1,15	0,99
55	-23,3	176	145	1,92	1,21	1,05
55	-20	213	159	2,01	1,34	1,15
55	-15	278	182	2,15	1,53	1,32
55	-10	353	206	2,32	1,72	1,48
55	-5	439	231	2,50	1,90	1,64
55	0	536	258	2,70	2,08	1,80

60	-35	70	99	1,66	0,71	0,61
60	-30	99	120	1,77	0,83	0,72
60	-25	139	142	1,90	0,98	0,85
60	-23,3	155	150	1,95	1,03	0,89
60	-20	189	165	2,04	1,15	0,99
60	-15	250	190	2,20	1,32	1,14
60	-10	321	215	2,38	1,49	1,29
60	-5	403	243	2,58	1,66	1,44
60	0	496	271	2,80	1,83	1,58

65	-35	59	100	1,66	0,59	0,51
65	-30	84	122	1,79	0,69	0,59
65	-25	119	146	1,92	0,82	0,71
65	-23,3	134	154	1,98	0,87	0,75
65	-20	165	171	2,08	0,97	0,84
65	-15	222	197	2,25	1,13	0,97
65	-10	289	225	2,45	1,29	1,11
65	-5	367	254	2,67	1,45	1,25
65	0	455	284	2,91	1,60	1,38

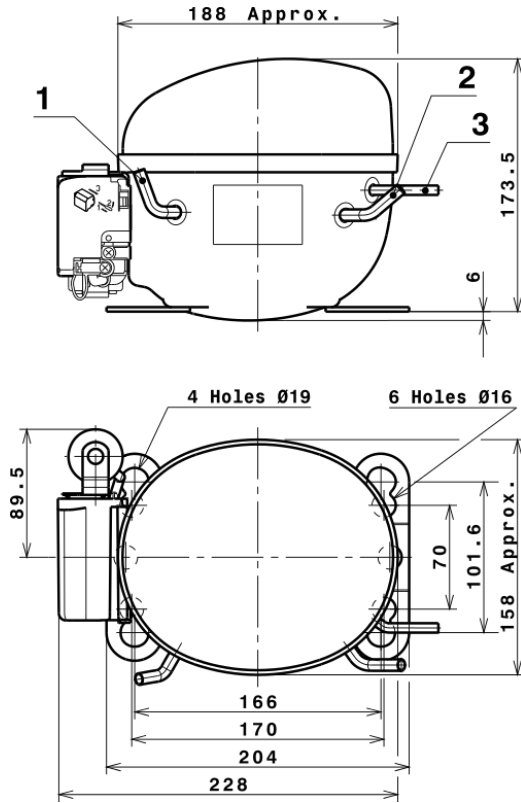
EN12900

X	Cooling Capacity (W)	Consumption (W)	Current (A)	Mass Flow (kg/h)
1	983,8237902742	117,9701725172	1,6401070247	16,852973774305
2	29,6162273952	1,5587666442	0,0116311895	0,57716777704357
3	-8,3784749922	2,6671517265	0,0202210920	-0,056398431099546
4	0,2071505701	0,0277305566	0,0003415280	0,0057087108442258
5	-0,1760694866	0,0742586153	0,0005674023	-0,00076362557892649

Equation	$x_1 + x_2Te + x_3Tc + x_4Te^2 + x_5TeTc$
----------	---

Technical Data Sheet

COMPRESSOR DIMENSIONS

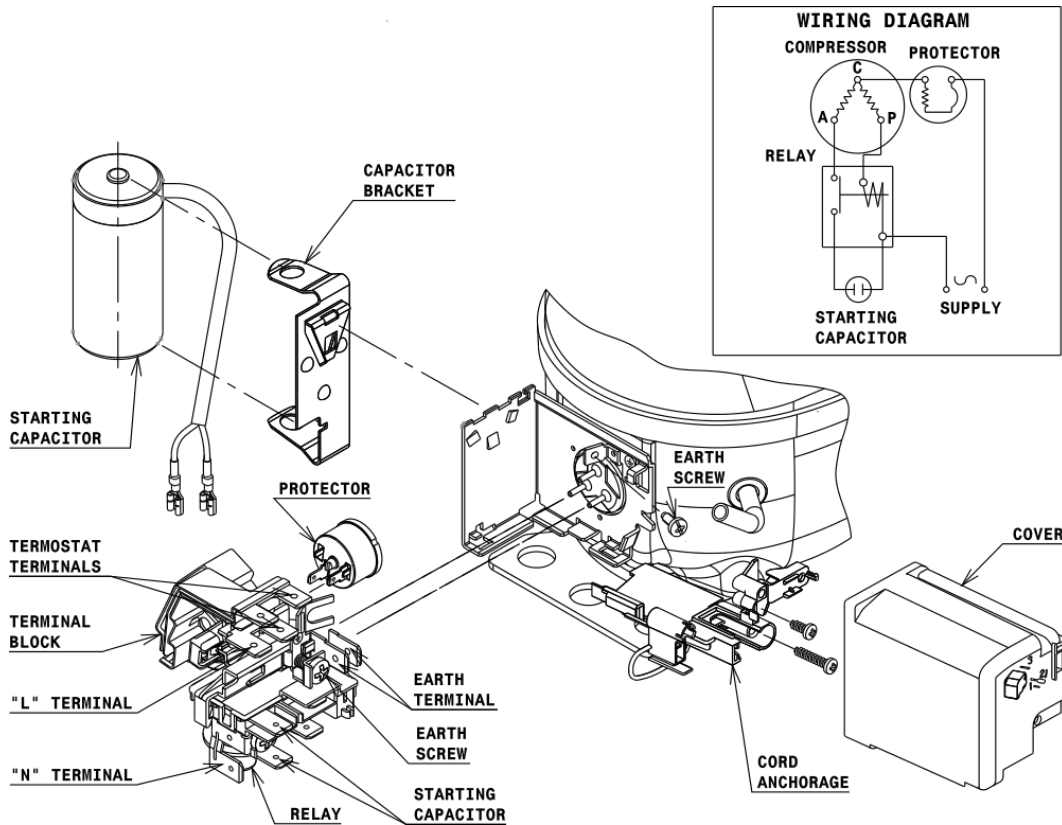


DESIGNATION INTERNAL DIAM.

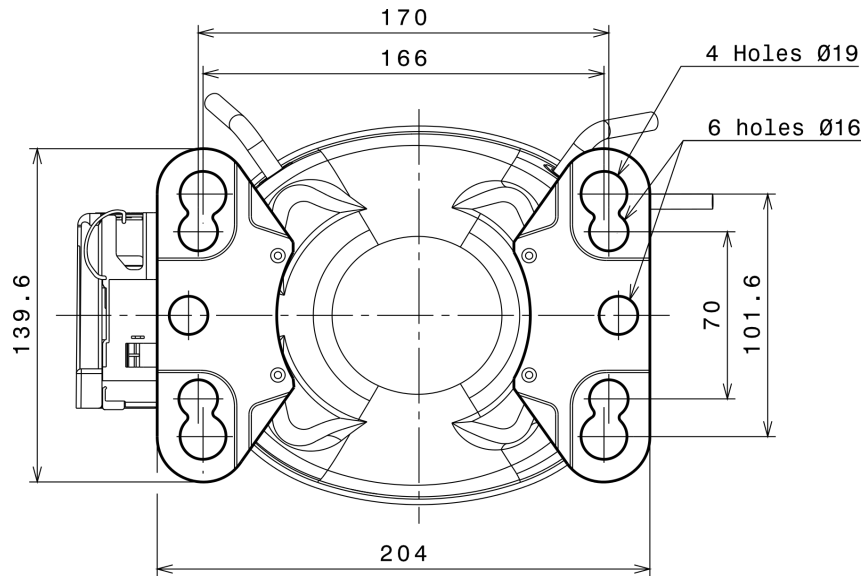
DESIGNATION	INTERNAL DIAM.
1 Service	6,2 mm
2 Suction	6,2 mm
3 Discharge	4,9 mm

WIRING DIAGRAMS AND ELECTRICAL ASSEMBLY

CSIR CONNECTION (U range)



FIXINGS



SILENT BLOCKS (MOUNTING ACCESSORIES)

STANDARD

$\varnothing 16$ holes (170x70 net)



AMERICAN FEET

$\varnothing 19$ holes (166x101.6 net)



SNAP-ON

$\varnothing 16$ holes (170x70 net)



SOA

SOA R134a LMBP

