

Technical Data Sheet

Compressor model **GS34TG_T**
 Voltage **200-220/220-230V 50/60Hz ~1**
 Refrigerant **R134a**

APPLICATION

Application High-Medium Back Pressure
 Refrigerant R134a
 Evaporating Temp. -25,0 °C to 10,0 °C
 Expansion Capillar/Valve
 Comp. Cooling Fan cooled
 Max. ambient temp. 43,0 °C
 Compatible refriger. R1234yf

COMPRESSOR

Displacement 34,42 cm³
 Diameter 42,86 mm
 Stroke 23,85 mm
 Net Weight 22,27 Kg
 Oil type ISO VG 32 ESTER
 Oil charge 887 cm³

MOTOR

Nominal Power 1 hp
 Voltage/Frequency 200-220V 50Hz
 Voltage range 170-242 V
 Type CSR
 Phase number 1 PH
 Locked Rotor Amps (LRA) 41,50 A
 Max. Cont. Current (MCC) 10,00 A
 Main W. resist. at 25°C 1,53 Ω
 Start W. resist. at 25°C 7,44 Ω

NOMINAL PERFORMANCE

	ASHRAE	CECOMAF
Cooling Capacity	2.931 kCal/h	2.829 W
COP	2,64 W/W	2,24 W/W
EER	2,27 kCal/Wh	1,94 kCal/Wh
Input Power	1.289 W	1.261 W
Current	7,20 A	7,10 A

APPROVALS



TEST CYCLE CONDITIONS

	ASHRAE HMBP (D)	CECOMAF HMBP (C)
Evaporating temp. (T _e)	7,2 °C	5,0 °C
Condensing temp. (T _c)	55,0 °C	55,0 °C
Liquid temp. (T _{liq.})	46,0 °C	55,0 °C
Ambient temp. (T _{amb.})	35,0 °C	32,0 °C
Suction temp. (T _{suction})	35,0 °C	32,0 °C
Voltage/Frequency	220 V 50 Hz	220 V 50 Hz

ELECTRICAL COMPONENTS

Starting capacitor	88-108 μF 330 V		
Run capacitor	16 μF 450 V		
Relay	Option 1	Option 2	
Reference	3ARR3 10A3	RVA 3AM..	
Pick-Up	239-270 V	239-270 V	
Drop-Out	50-110 V	50-110 V	
Protector	Option 1		
Reference	T0534		
Current	20,00 A		
Time check	7,5-14 seg		
Disc temp. (Open/Close)	105,00 / 52,00 °C		

ASHRAE

Tc °C	Te °C	Cooling Capacity kCal/h	Consumption W	Current A	COP W/W	EER kCal/Wh
40	-25	628	576	3,93	1,27	1,09
40	-20	914	695	4,58	1,53	1,32
40	-15	1.262	799	5,12	1,84	1,58
40	-10	1.673	888	5,55	2,19	1,88
40	-5	2.147	963	5,89	2,59	2,23
40	0	2.682	1.022	6,15	3,05	2,62
40	5	3.280	1.067	6,34	3,58	3,07
40	7,2	3.563	1.082	6,40	3,83	3,29
40	10	3.941	1.097	6,47	4,18	3,59

45	-25	566	543	3,74	1,21	1,04
45	-20	829	678	4,49	1,42	1,22
45	-15	1.154	798	5,11	1,68	1,45
45	-10	1.542	903	5,62	1,99	1,71
45	-5	1.992	993	6,03	2,33	2,01
45	0	2.505	1.069	6,35	2,73	2,34
45	5	3.080	1.129	6,60	3,17	2,73
45	7,2	3.352	1.151	6,68	3,39	2,91
45	10	3.717	1.175	6,78	3,68	3,16

50	-25	503	510	3,55	1,15	0,99
50	-20	743	661	4,40	1,31	1,13
50	-15	1.046	797	5,10	1,53	1,31
50	-10	1.410	917	5,68	1,79	1,54
50	-5	1.838	1.024	6,16	2,09	1,80
50	0	2.327	1.115	6,54	2,43	2,09
50	5	2.879	1.191	6,84	2,81	2,42
50	7,2	3.142	1.220	6,95	3,00	2,58
50	10	3.493	1.253	7,07	3,24	2,79

55	-25	441	477	3,36	1,08	0,92
55	-20	658	644	4,31	1,19	1,02
55	-15	937	795	5,10	1,37	1,18
55	-10	1.279	932	5,75	1,60	1,37
55	-5	1.683	1.054	6,29	1,86	1,60
55	0	2.150	1.161	6,72	2,15	1,85
55	5	2.679	1.253	7,07	2,49	2,14
55	7,2	2.931	1.289	7,20	2,64	2,27
55	10	3.270	1.330	7,34	2,86	2,46

60	-25	379	444	3,16	0,99	0,85
60	-20	573	626	4,21	1,06	0,91
60	-15	829	794	5,09	1,21	1,04
60	-10	1.148	947	5,82	1,41	1,21
60	-5	1.529	1.084	6,41	1,64	1,41
60	0	1.972	1.207	6,90	1,90	1,63
60	5	2.478	1.315	7,29	2,19	1,88
60	7,2	2.720	1.358	7,44	2,33	2,00
60	10	3.046	1.408	7,60	2,52	2,16

65	-25	316	411	2,96	0,90	0,77
65	-20	487	609	4,12	0,93	0,80
65	-15	720	793	5,08	1,06	0,91
65	-10	1.016	961	5,88	1,23	1,06
65	-5	1.374	1.115	6,54	1,43	1,23
65	0	1.795	1.253	7,07	1,67	1,43
65	5	2.277	1.377	7,50	1,92	1,65
65	7,2	2.510	1.427	7,66	2,05	1,76
65	10	2.823	1.486	7,84	2,21	1,90

CECOMAF

Tc °C	Te °C	Cooling Capacity W	Consumption W	Current A	COP W/W	EER kCal/Wh
40	-25	676	579	3,95	1,17	1,01
40	-20	988	699	4,60	1,41	1,22
40	-15	1.366	803	5,14	1,70	1,47
40	-10	1.809	893	5,57	2,02	1,75
40	-5	2.318	968	5,91	2,39	2,07
40	0	2.892	1.029	6,18	2,81	2,43
40	5	3.532	1.074	6,37	3,29	2,84
40	7,2	3.834	1.089	6,43	3,52	3,04
40	10	4.238	1.104	6,50	3,84	3,32

45	-25	607	546	3,76	1,11	0,96
45	-20	891	681	4,51	1,31	1,13
45	-15	1.241	802	5,13	1,55	1,34
45	-10	1.657	908	5,64	1,82	1,58
45	-5	2.138	999	6,05	2,14	1,85
45	0	2.685	1.075	6,38	2,50	2,16
45	5	3.298	1.136	6,63	2,90	2,51
45	7,2	3.588	1.158	6,71	3,10	2,68
45	10	3.976	1.183	6,81	3,36	2,91

50	-25	537	513	3,57	1,05	0,90
50	-20	794	664	4,42	1,19	1,03
50	-15	1.116	801	5,12	1,39	1,20
50	-10	1.505	923	5,71	1,63	1,41
50	-5	1.959	1.030	6,18	1,90	1,64
50	0	2.478	1.122	6,57	2,21	1,91
50	5	3.064	1.199	6,87	2,56	2,21
50	7,2	3.342	1.228	6,98	2,72	2,35
50	10	3.714	1.261	7,10	2,95	2,55

55	-25	467	480	3,37	0,97	0,84
55	-20	696	647	4,32	1,08	0,93
55	-15	992	800	5,12	1,24	1,07
55	-10	1.353	937	5,77	1,44	1,25
55	-5	1.779	1.060	6,31	1,68	1,45
55	0	2.271	1.168	6,75	1,94	1,68
55	5	2.829	1.261	7,10	2,24	1,94
55	7,2	3.096	1.297	7,23	2,39	2,06
55	10	3.453	1.339	7,37	2,58	2,23

60	-25	397	446	3,18	0,89	0,77
60	-20	599	630	4,23	0,95	0,82
60	-15	867	798	5,11	1,09	0,94
60	-10	1.201	952	5,84	1,26	1,09
60	-5	1.600	1.091	6,44	1,47	1,27
60	0	2.065	1.215	6,93	1,70	1,47
60	5	2.595	1.324	7,32	1,96	1,69
60	7,2	2.849	1.367	7,47	2,08	1,80
60	10	3.191	1.418	7,63	2,25	1,94

65	-25	327	413	2,98	0,79	0,68
65	-20	502	612	4,14	0,82	0,71
65	-15	742	797	5,10	0,93	0,80
65	-10	1.048	967	5,91	1,08	0,94
65	-5	1.420	1.121	6,57	1,27	1,09
65	0	1.858	1.261	7,10	1,47	1,27
65	5	2.361	1.386	7,53	1,70	1,47
65	7,2	2.603	1.436	7,69	1,81	1,57
65	10	2.930	1.496	7,87	1,96	1,69

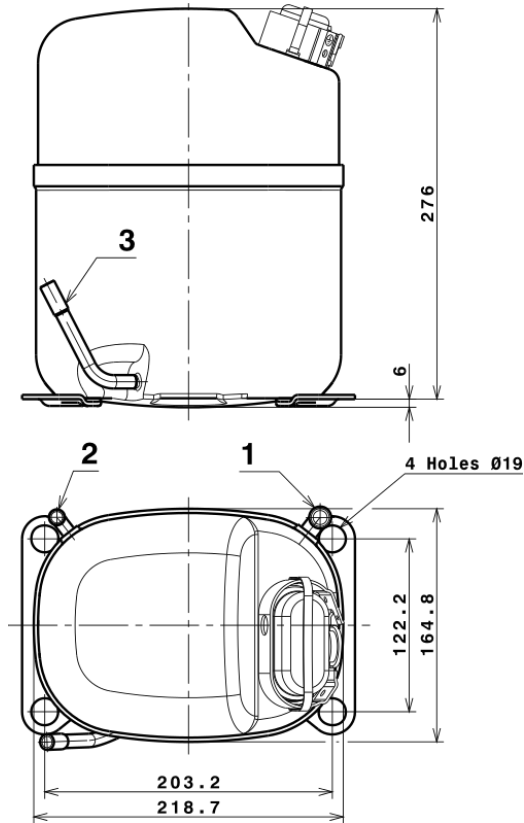
EN12900

X	Cooling Capacity (W)	Consumption (W)	Current (A)	Mass Flow (kg/h)
1	4,560,4430954665	672,2571734411	5,1167056756	76,923050855382
2	165,6045810193	-15,0665817609	-0,0778322928	3,1002587576869
3	-42,6243027770	9,5691726089	0,0325564877	-0,33544349489746
4	1,2897837342	-0,2970605644	-0,0023778805	0,037084146403378
5	-1,1434306352	0,6540768333	0,0028574606	-0,0054385643795694

Equation	$x_1 + x_2Te + x_3Tc + x_4Te^2 + x_5TeTc$
----------	---

Technical Data Sheet

COMPRESSOR DIMENSIONS

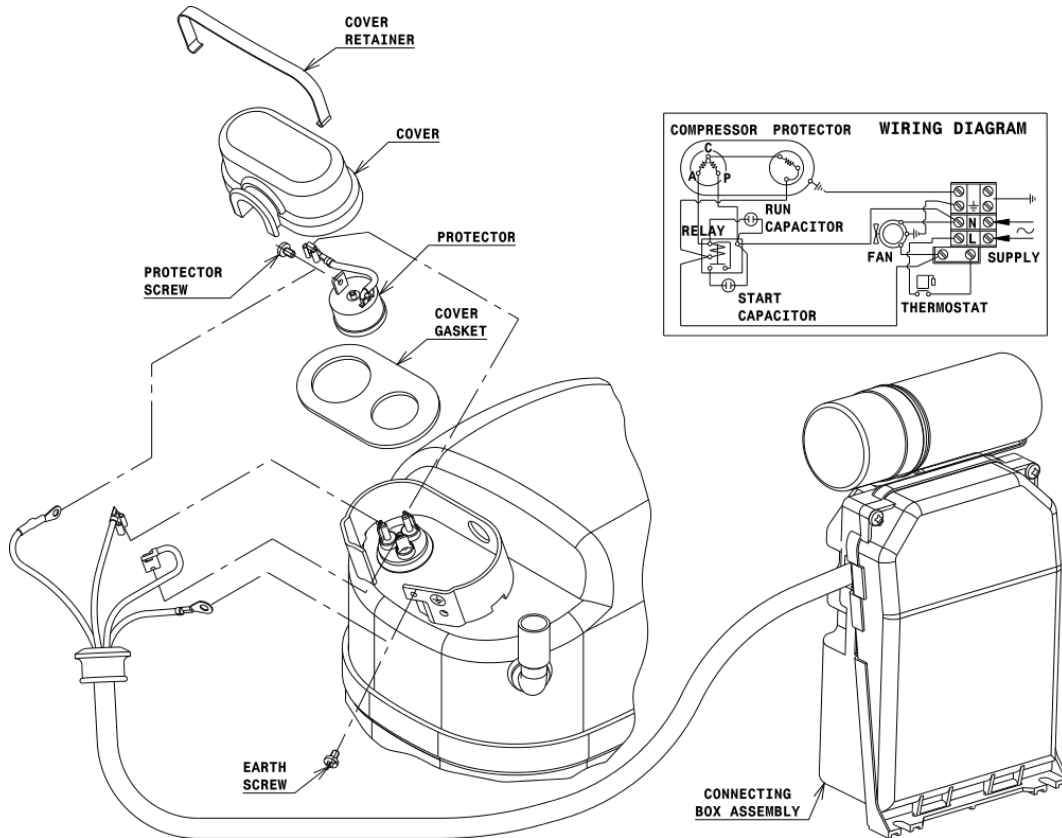


DESIGNATION INTERNAL DIAM.

1	Suction	12,7 mm
2	Service	9,7 mm
3	Discharge	8,0 mm

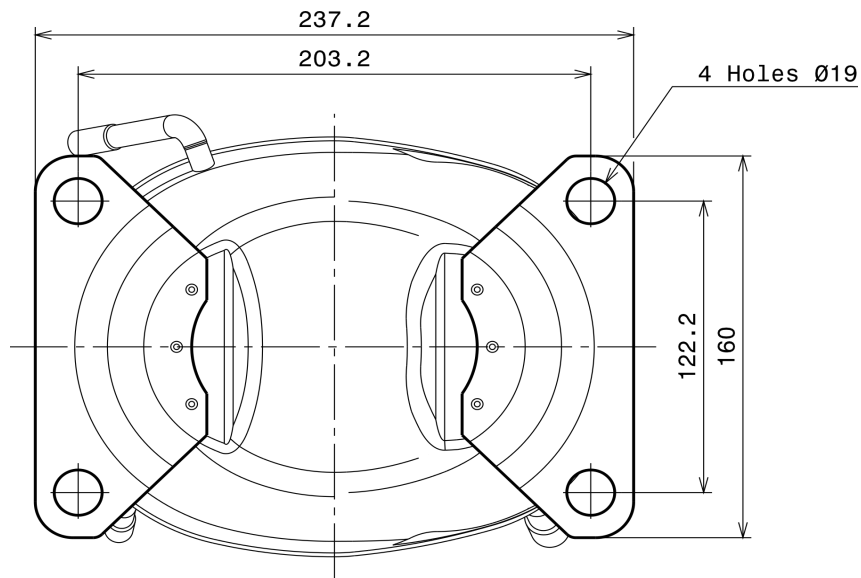
WIRING DIAGRAMS AND ELECTRICAL ASSEMBLY

CSR CONNECTION (EXTERNAL CONNECTING BOX) (S range)



Technical Data Sheet

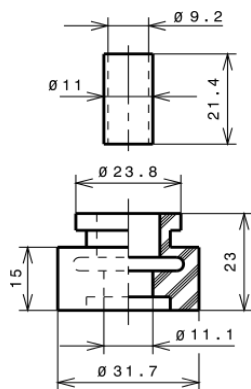
FIXINGS



SILENT BLOCKS (MOUNTING ACCESSORIES)

STANDARD

Ø19 holes (203.2x122.2 net)



SOA

SOA R134a HMBP

