

Technical Data Sheet

Compressor model **GS26TG_T**
 Voltage **200-220/220-230V 50/60Hz ~1**
 Refrigerant **R134a**

APPLICATION

COMPRESSOR

MOTOR

Application	High-Medium Back Pressure	Displacement	25,93 cm ³	Nominal Power	3/4 hp
Refrigerant	R134a	Diameter	39,98 mm	Voltage/Frequency	200-220V 50Hz
Evaporating Temp.	-25,0 °C to 10,0 °C	Stroke	20,65 mm	Voltage range	170-242 V
Expansion	Capillar/Valve	Net Weight	22,70 Kg	Type	CSIR
Comp. Cooling	Fan cooled	Oil type	ISO VG 32 ESTER	Phase number	1 PH
Max. ambient temp.	43,0 °C	Oil charge	887 cm ³	Locked Rotor Amps (LRA)	33,00 A
Compatible refriger.	R1234yf			Max. Cont. Current (MCC)	10,50 A
				Main W. resist. at 25°C	1,68 Ω
				Start W. resist. at 25°C	14,89 Ω

NOMINAL PERFORMANCE

	ASHRAE	CECOMAF
Cooling Capacity	2.140 kCal/h	2.070 W
COP	2,49 W/W	2,14 W/W
EER	2,14 kCal/Wh	1,85 kCal/Wh
Input Power	1.000 W	968 W
Current	6,60 A	6,44 A

APPROVALS



TEST CYCLE CONDITIONS

	ASHRAE HMBP (D)	CECOMAF HMBP (C)
Evaporating temp. (T _e)	7,2 °C	5,0 °C
Condensing temp. (T _c)	55,0 °C	55,0 °C
Liquid temp. (T _{liq.})	46,0 °C	55,0 °C
Ambient temp. (T _{amb.})	35,0 °C	32,0 °C
Suction temp. (T _{suction})	35,0 °C	32,0 °C
Voltage/Frequency	200 V 50 Hz	200 V 50 Hz

ELECTRICAL COMPONENTS

Starting capacitor	88-108 µF 330 V		
Relay	Option 1	Option 2	
Reference	3ARR3 3AV3	RVA 2L..	
Pick-Up	224-252 V	224-252 V	
Drop-Out	40-90 V	40-105 V	
Protector	Option 1	Option 2	
Reference	MRA38123	T0534	
Current	22,00 A	20,00 A	
Time check	7,5-14 seg	7,5-14 seg	
Disc temp. (Open/Close)	105,00 / 52,00 °C	105,00 / 52,00 °C	

ASHRAE

Tc °C	Te °C	Cooling Capacity kCal/h	Consumption W	Current A	COP W/W	EER kCal/Wh
40	-25	450	400	4,35	1,31	1,13
40	-20	694	484	4,58	1,67	1,43
40	-15	976	563	4,82	2,02	1,73
40	-10	1.298	637	5,06	2,37	2,04
40	-5	1.658	706	5,31	2,73	2,35
40	0	2.057	769	5,56	3,11	2,68
40	5	2.495	826	5,80	3,51	3,02
40	7,2	2.700	850	5,90	3,69	3,18
40	10	2.972	879	6,03	3,93	3,38

45	-25	383	380	4,30	1,17	1,01
45	-20	608	475	4,55	1,49	1,28
45	-15	872	565	4,82	1,80	1,54
45	-10	1.175	650	5,11	2,10	1,81
45	-5	1.517	729	5,40	2,42	2,08
45	0	1.897	803	5,70	2,75	2,36
45	5	2.317	872	6,00	3,09	2,66
45	7,2	2.513	900	6,12	3,25	2,79
45	10	2.775	935	6,28	3,45	2,97

50	-25	317	360	4,25	1,02	0,88
50	-20	523	466	4,52	1,31	1,12
50	-15	768	567	4,83	1,58	1,36
50	-10	1.053	662	5,15	1,85	1,59
50	-5	1.376	753	5,50	2,13	1,83
50	0	1.737	837	5,85	2,41	2,08
50	5	2.138	917	6,20	2,71	2,33
50	7,2	2.327	950	6,36	2,85	2,45
50	10	2.578	991	6,55	3,03	2,60

55	-25	250	340	4,20	0,86	0,74
55	-20	438	457	4,50	1,11	0,96
55	-15	664	569	4,83	1,36	1,17
55	-10	930	675	5,20	1,60	1,38
55	-5	1.234	776	5,59	1,85	1,59
55	0	1.578	872	6,00	2,10	1,81
55	5	1.960	962	6,41	2,37	2,04
55	7,2	2.140	1.000	6,60	2,49	2,14
55	10	2.380	1.047	6,84	2,64	2,27

60	-25	183	320	4,15	0,67	0,57
60	-20	353	448	4,47	0,92	0,79
60	-15	561	570	4,84	1,14	0,98
60	-10	807	688	5,25	1,37	1,17
60	-5	1.093	799	5,69	1,59	1,37
60	0	1.418	906	6,15	1,82	1,56
60	5	1.781	1.007	6,64	2,06	1,77
60	7,2	1.953	1.050	6,85	2,16	1,86
60	10	2.183	1.103	7,13	2,30	1,98

65	-25	117	300	4,11	0,45	0,39
65	-20	267	439	4,45	0,71	0,61
65	-15	457	572	4,85	0,93	0,80
65	-10	685	700	5,29	1,14	0,98
65	-5	952	823	5,78	1,35	1,16
65	0	1.258	940	6,31	1,56	1,34
65	5	1.603	1.052	6,87	1,77	1,52
65	7,2	1.767	1.100	7,12	1,87	1,61
65	10	1.986	1.159	7,44	1,99	1,71

CECOMAF

Tc °C	Te °C	Cooling Capacity W	Consumption W	Current A	COP W/W	EER kCal/Wh
40	-25	485	402	4,35	1,21	1,04
40	-20	750	487	4,58	1,54	1,33
40	-15	1.055	566	4,83	1,86	1,61
40	-10	1.402	641	5,08	2,19	1,89
40	-5	1.789	710	5,33	2,52	2,18
40	0	2.217	773	5,58	2,87	2,48
40	5	2.686	832	5,82	3,23	2,79
40	7,2	2.906	855	5,93	3,40	2,93
40	10	3.196	884	6,05	3,61	3,12

45	-25	411	382	4,30	1,08	0,93
45	-20	654	478	4,56	1,37	1,18
45	-15	938	568	4,83	1,65	1,43
45	-10	1.262	653	5,12	1,93	1,67
45	-5	1.628	733	5,42	2,22	1,92
45	0	2.034	808	5,72	2,52	2,18
45	5	2.481	877	6,02	2,83	2,44
45	7,2	2.690	906	6,15	2,97	2,57
45	10	2.969	941	6,31	3,16	2,73

50	-25	338	362	4,25	0,93	0,81
50	-20	559	469	4,53	1,19	1,03
50	-15	820	570	4,84	1,44	1,24
50	-10	1.123	666	5,17	1,69	1,46
50	-5	1.466	757	5,51	1,94	1,67
50	0	1.850	842	5,87	2,20	1,90
50	5	2.275	923	6,23	2,47	2,13
50	7,2	2.475	956	6,39	2,59	2,24
50	10	2.741	997	6,59	2,75	2,37

55	-25	265	342	4,20	0,77	0,67
55	-20	463	459	4,50	1,01	0,87
55	-15	703	572	4,84	1,23	1,06
55	-10	984	679	5,21	1,45	1,25
55	-5	1.305	781	5,61	1,67	1,44
55	0	1.667	877	6,02	1,90	1,64
55	5	2.070	968	6,44	2,14	1,85
55	7,2	2.260	1.006	6,63	2,25	1,94
55	10	2.514	1.054	6,87	2,39	2,06

60	-25	191	322	4,16	0,59	0,51
60	-20	368	450	4,48	0,82	0,71
60	-15	586	574	4,85	1,02	0,88
60	-10	844	692	5,26	1,22	1,05
60	-5	1.143	804	5,71	1,42	1,23
60	0	1.484	912	6,18	1,63	1,41
60	5	1.864	1.014	6,67	1,84	1,59
60	7,2	2.045	1.057	6,89	1,94	1,67
60	10	2.286	1.110	7,17	2,06	1,78

65	-25	118	302	4,11	0,39	0,34
65	-20	273	441	4,45	0,62	0,53
65	-15	468	575	4,86	0,81	0,70
65	-10	705	704	5,31	1,00	0,86
65	-5	982	828	5,81	1,19	1,02
65	0	1.300	946	6,34	1,37	1,19
65	5	1.659	1.059	6,90	1,57	1,35
65	7,2	1.830	1.107	7,15	1,65	1,43
65	10	2.059	1.167	7,48	1,76	1,52

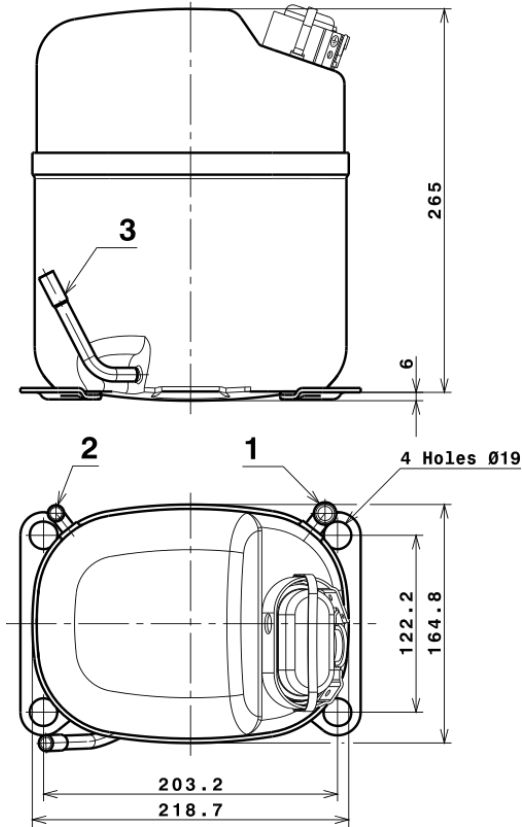
EN12900

X	Cooling Capacity (W)	Consumption (W)	Current (A)	Mass Flow (kg/h)
1	3.689,4992082471	508,6553113534	4,1184739417	64,554665826614
2	125,2607329633	-5,2402589010	-0,0132870078	2,3376524802341
3	-37,5120222629	7,1140217085	0,0361794417	-0,39363844196139
4	0,8034659841	-0,1026493985	0,0005294363	0,023544868927309
5	-0,9167762306	0,4489911283	0,0018541500	-0,0053891711914171

Equation	$x_1 + x_2Te + x_3Tc + x_4Te^2 + x_5TeTc$
----------	---

Technical Data Sheet

COMPRESSOR DIMENSIONS

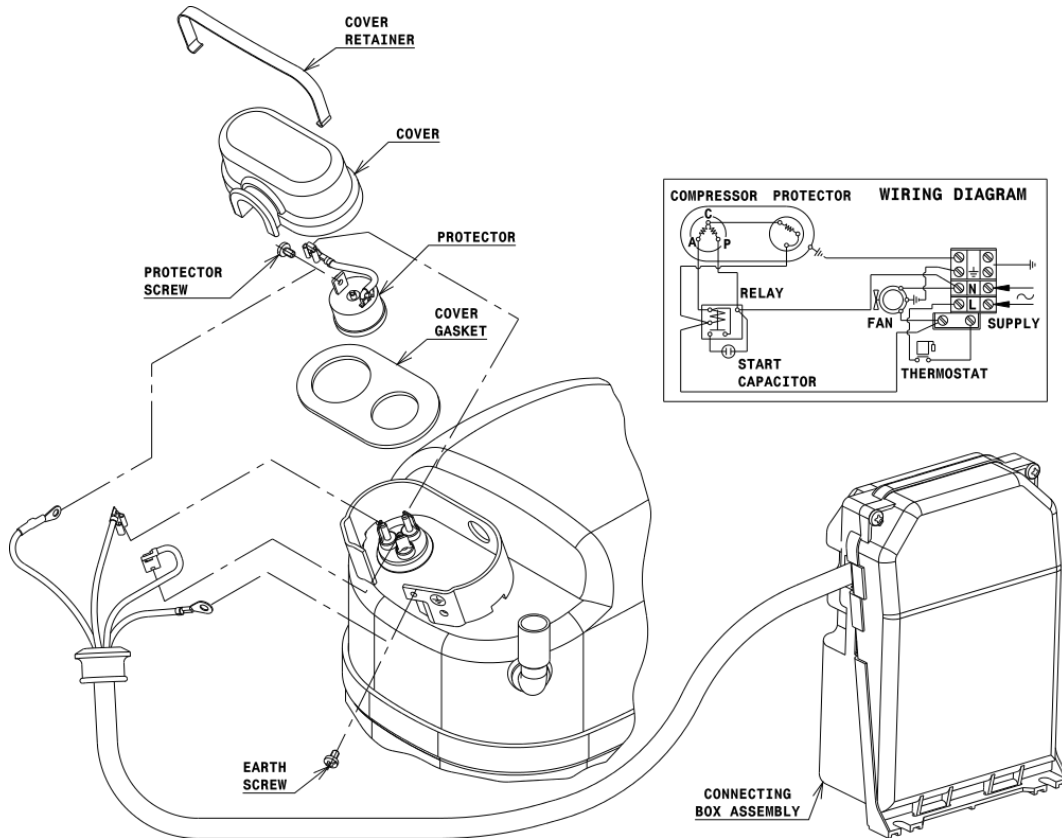


DESIGNATION INTERNAL DIAM.

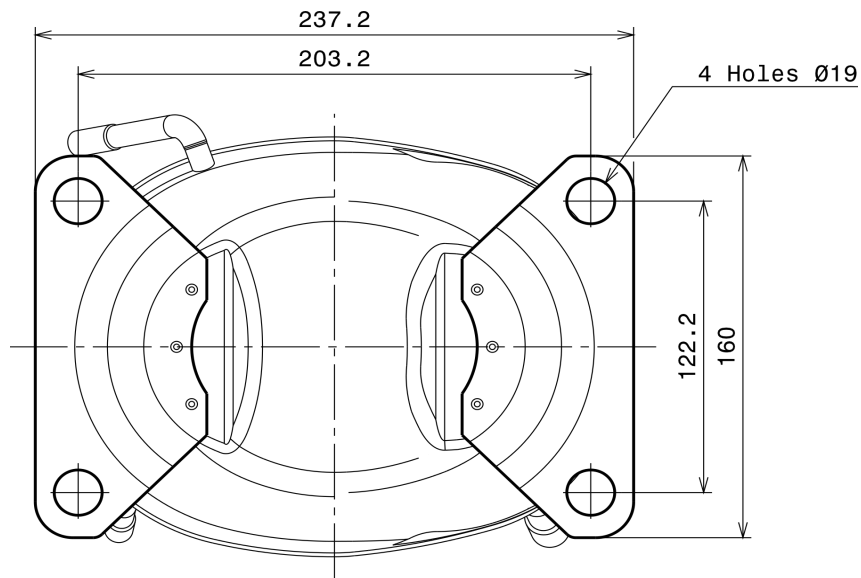
1	Suction	12,7 mm
2	Service	9,7 mm
3	Discharge	8,0 mm

WIRING DIAGRAMS AND ELECTRICAL ASSEMBLY

CSIR CONNECTION (EXTERNAL CONNECTING BOX) (S range)



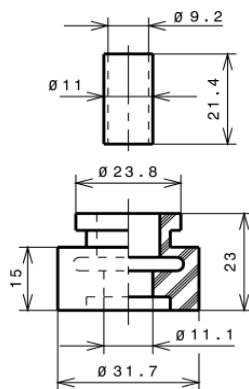
FIXINGS



SILENT BLOCKS (MOUNTING ACCESSORIES)

STANDARD

$\varnothing 19$ holes (203.2x122.2 net)



SOA

SOA R134a HMBP

