

Technical Data Sheet

Compressor model **GS26T3_V**
 Voltage **400/440V 50/60Hz ~3**
 Refrigerant **R134a**

APPLICATION

COMPRESSOR

MOTOR

| | | | | | |
|----------------------|---------------------------|--------------|-----------------------|--------------------------|-----------|
| Application | High-Medium Back Pressure | Displacement | 25,93 cm ³ | Nominal Power | 3/4 hp |
| Refrigerant | R134a | Diameter | 39,98 mm | Voltage/Frequency | 400V 50Hz |
| Evaporating Temp. | -25,0 °C to 10,0 °C | Stroke | 20,65 mm | Voltage range | 323-462 V |
| Expansion | Capillar/Valve | Net Weight | 22,70 Kg | Type | 3PHASE |
| Comp. Cooling | Fan cooled | Oil type | ISO VG 32 ESTER | Phase number | 3 PH |
| Max. ambient temp. | 43,0 °C | Oil charge | 887 cm ³ | Locked Rotor Amps (LRA) | 9,50 A |
| Compatible refriger. | R1234yf | | | Max. Cont. Current (MCC) | 3,50 A |
| | | | | Main W. resist. at 25°C | 16,22 Ω |
| | | | | Start W. resist. at 25°C | 21,10 Ω |

NOMINAL PERFORMANCE

APPROVALS

| | ASHRAE | CECOMAF |
|------------------|--------------|--------------|
| Cooling Capacity | 2.140 kCal/h | 2.070 W |
| COP | 2,55 W/W | 2,19 W/W |
| EER | 2,19 kCal/Wh | 1,90 kCal/Wh |
| Input Power | 975 W | 944 W |
| Current | 1,80 A | 1,76 A |

TEST CYCLE CONDITIONS

| | ASHRAE HMBP (D) | CECOMAF HMBP (C) |
|---------------------------------------|--------------------|---------------------|
| Evaporating temp. (T _e) | 7,2 °C | 5,0 °C |
| Condensing temp. (T _c) | 55,0 °C | 55,0 °C |
| Liquid temp. (T _{liq.}) | 46,0 °C | 55,0 °C |
| Ambient temp. (T _{amb.}) | 35,0 °C | 32,0 °C |
| Suction temp. (T _{suction}) | 35,0 °C | 32,0 °C |
| Voltage/Frequency | 400 V 50 Hz | 400 V 50 Hz |

ELECTRICAL COMPONENTS

| | | | | |
|-------------------------|----------|--|--|--|
| Relay | | | | |
| Reference | | | | |
| Voltage | | | | |
| Resistance | | | | |
| Protector | Option 1 | | | |
| Reference | INTERNAL | | | |
| Current | | | | |
| Time check | | | | |
| Disc temp. (Open/Close) | | | | |

ASHRAE

| Tc °C | Te °C | Cooling Capacity kCal/h | Consumption W | Current A | COP W/W | EER kCal/Wh |
|----------|----------|-------------------------------|------------------|--------------|------------|----------------|
| 40 | -25 | 450 | 388 | 1,20 | 1,35 | 1,16 |
| 40 | -20 | 694 | 473 | 1,28 | 1,71 | 1,47 |
| 40 | -15 | 976 | 552 | 1,35 | 2,06 | 1,77 |
| 40 | -10 | 1.298 | 625 | 1,42 | 2,41 | 2,07 |
| 40 | -5 | 1.658 | 694 | 1,49 | 2,78 | 2,39 |
| 40 | 0 | 2.057 | 756 | 1,55 | 3,16 | 2,72 |
| 40 | 5 | 2.495 | 814 | 1,62 | 3,57 | 3,07 |
| 40 | 7,2 | 2.700 | 837 | 1,64 | 3,75 | 3,23 |
| 40 | 10 | 2.972 | 865 | 1,67 | 3,99 | 3,43 |

| | | | | | | |
|----|-----|-------|-----|------|------|------|
| 45 | -25 | 383 | 366 | 1,19 | 1,22 | 1,05 |
| 45 | -20 | 608 | 461 | 1,27 | 1,53 | 1,32 |
| 45 | -15 | 872 | 551 | 1,35 | 1,84 | 1,58 |
| 45 | -10 | 1.175 | 635 | 1,43 | 2,15 | 1,85 |
| 45 | -5 | 1.517 | 714 | 1,51 | 2,47 | 2,12 |
| 45 | 0 | 1.897 | 787 | 1,59 | 2,80 | 2,41 |
| 45 | 5 | 2.317 | 855 | 1,66 | 3,15 | 2,71 |
| 45 | 7,2 | 2.513 | 883 | 1,69 | 3,31 | 2,85 |
| 45 | 10 | 2.775 | 917 | 1,73 | 3,52 | 3,03 |

| | | | | | | |
|----|-----|-------|-----|------|------|------|
| 50 | -25 | 317 | 345 | 1,17 | 1,07 | 0,92 |
| 50 | -20 | 523 | 450 | 1,26 | 1,35 | 1,16 |
| 50 | -15 | 768 | 550 | 1,35 | 1,62 | 1,40 |
| 50 | -10 | 1.053 | 645 | 1,44 | 1,90 | 1,63 |
| 50 | -5 | 1.376 | 734 | 1,53 | 2,18 | 1,87 |
| 50 | 0 | 1.737 | 818 | 1,62 | 2,47 | 2,12 |
| 50 | 5 | 2.138 | 896 | 1,71 | 2,77 | 2,39 |
| 50 | 7,2 | 2.327 | 929 | 1,75 | 2,91 | 2,50 |
| 50 | 10 | 2.578 | 969 | 1,79 | 3,09 | 2,66 |

| | | | | | | |
|----|-----|-------|-------|------|------|------|
| 55 | -25 | 250 | 323 | 1,15 | 0,90 | 0,77 |
| 55 | -20 | 438 | 439 | 1,25 | 1,16 | 1,00 |
| 55 | -15 | 664 | 550 | 1,35 | 1,41 | 1,21 |
| 55 | -10 | 930 | 655 | 1,45 | 1,65 | 1,42 |
| 55 | -5 | 1.234 | 755 | 1,55 | 1,90 | 1,64 |
| 55 | 0 | 1.578 | 849 | 1,65 | 2,16 | 1,86 |
| 55 | 5 | 1.960 | 938 | 1,76 | 2,43 | 2,09 |
| 55 | 7,2 | 2.140 | 975 | 1,80 | 2,55 | 2,19 |
| 55 | 10 | 2.380 | 1.021 | 1,86 | 2,71 | 2,33 |

| | | | | | | |
|----|-----|-------|-------|------|------|------|
| 60 | -25 | 183 | 301 | 1,13 | 0,71 | 0,61 |
| 60 | -20 | 353 | 428 | 1,24 | 0,96 | 0,82 |
| 60 | -15 | 561 | 549 | 1,35 | 1,19 | 1,02 |
| 60 | -10 | 807 | 665 | 1,46 | 1,41 | 1,21 |
| 60 | -5 | 1.093 | 775 | 1,57 | 1,64 | 1,41 |
| 60 | 0 | 1.418 | 880 | 1,69 | 1,87 | 1,61 |
| 60 | 5 | 1.781 | 979 | 1,80 | 2,12 | 1,82 |
| 60 | 7,2 | 1.953 | 1.021 | 1,86 | 2,23 | 1,91 |
| 60 | 10 | 2.183 | 1.073 | 1,92 | 2,37 | 2,04 |

| | | | | | | |
|----|-----|-------|-------|------|------|------|
| 65 | -25 | 117 | 280 | 1,12 | 0,49 | 0,42 |
| 65 | -20 | 267 | 417 | 1,23 | 0,75 | 0,64 |
| 65 | -15 | 457 | 549 | 1,35 | 0,97 | 0,83 |
| 65 | -10 | 685 | 675 | 1,47 | 1,18 | 1,02 |
| 65 | -5 | 952 | 795 | 1,60 | 1,39 | 1,20 |
| 65 | 0 | 1.258 | 911 | 1,72 | 1,61 | 1,38 |
| 65 | 5 | 1.603 | 1.020 | 1,85 | 1,83 | 1,57 |
| 65 | 7,2 | 1.767 | 1.067 | 1,91 | 1,93 | 1,66 |
| 65 | 10 | 1.986 | 1.125 | 1,98 | 2,05 | 1,77 |

CECOMAF

| Tc °C | Te °C | Cooling Capacity W | Consumption W | Current A | COP W/W | EER kCal/Wh |
|----------|----------|--------------------------|------------------|--------------|------------|----------------|
| 40 | -25 | 485 | 390 | 1,21 | 1,24 | 1,07 |
| 40 | -20 | 750 | 475 | 1,28 | 1,58 | 1,36 |
| 40 | -15 | 1.055 | 555 | 1,35 | 1,90 | 1,64 |
| 40 | -10 | 1.402 | 629 | 1,42 | 2,23 | 1,93 |
| 40 | -5 | 1.789 | 698 | 1,49 | 2,56 | 2,22 |
| 40 | 0 | 2.217 | 761 | 1,56 | 2,91 | 2,52 |
| 40 | 5 | 2.686 | 819 | 1,62 | 3,28 | 2,84 |
| 40 | 7,2 | 2.906 | 842 | 1,65 | 3,45 | 2,98 |
| 40 | 10 | 3.196 | 871 | 1,68 | 3,67 | 3,17 |

| | | | | | | |
|----|-----|-------|-----|------|------|------|
| 45 | -25 | 411 | 368 | 1,19 | 1,12 | 0,97 |
| 45 | -20 | 654 | 464 | 1,27 | 1,41 | 1,22 |
| 45 | -15 | 938 | 554 | 1,35 | 1,69 | 1,46 |
| 45 | -10 | 1.262 | 639 | 1,43 | 1,98 | 1,71 |
| 45 | -5 | 1.628 | 718 | 1,51 | 2,27 | 1,96 |
| 45 | 0 | 2.034 | 792 | 1,59 | 2,57 | 2,22 |
| 45 | 5 | 2.481 | 860 | 1,67 | 2,88 | 2,49 |
| 45 | 7,2 | 2.690 | 889 | 1,70 | 3,03 | 2,62 |
| 45 | 10 | 2.969 | 923 | 1,74 | 3,22 | 2,78 |

| | | | | | | |
|----|-----|-------|-----|------|------|------|
| 50 | -25 | 338 | 346 | 1,17 | 0,98 | 0,84 |
| 50 | -20 | 559 | 453 | 1,26 | 1,23 | 1,07 |
| 50 | -15 | 820 | 553 | 1,35 | 1,48 | 1,28 |
| 50 | -10 | 1.123 | 649 | 1,44 | 1,73 | 1,50 |
| 50 | -5 | 1.466 | 739 | 1,54 | 1,99 | 1,72 |
| 50 | 0 | 1.850 | 823 | 1,63 | 2,25 | 1,94 |
| 50 | 5 | 2.275 | 902 | 1,71 | 2,52 | 2,18 |
| 50 | 7,2 | 2.475 | 935 | 1,75 | 2,65 | 2,29 |
| 50 | 10 | 2.741 | 975 | 1,80 | 2,81 | 2,43 |

| | | | | | | |
|----|-----|-------|-------|------|------|------|
| 55 | -25 | 265 | 325 | 1,15 | 0,81 | 0,70 |
| 55 | -20 | 463 | 441 | 1,25 | 1,05 | 0,91 |
| 55 | -15 | 703 | 553 | 1,35 | 1,27 | 1,10 |
| 55 | -10 | 984 | 659 | 1,45 | 1,49 | 1,29 |
| 55 | -5 | 1.305 | 759 | 1,56 | 1,72 | 1,49 |
| 55 | 0 | 1.667 | 854 | 1,66 | 1,95 | 1,69 |
| 55 | 5 | 2.070 | 944 | 1,76 | 2,19 | 1,90 |
| 55 | 7,2 | 2.260 | 981 | 1,81 | 2,30 | 1,99 |
| 55 | 10 | 2.514 | 1.028 | 1,86 | 2,45 | 2,11 |

| | | | | | | |
|----|-----|-------|-------|------|------|------|
| 60 | -25 | 191 | 303 | 1,13 | 0,63 | 0,55 |
| 60 | -20 | 368 | 430 | 1,24 | 0,86 | 0,74 |
| 60 | -15 | 586 | 552 | 1,35 | 1,06 | 0,92 |
| 60 | -10 | 844 | 669 | 1,46 | 1,26 | 1,09 |
| 60 | -5 | 1.143 | 780 | 1,58 | 1,47 | 1,27 |
| 60 | 0 | 1.484 | 885 | 1,70 | 1,68 | 1,45 |
| 60 | 5 | 1.864 | 985 | 1,81 | 1,89 | 1,63 |
| 60 | 7,2 | 2.045 | 1.028 | 1,86 | 1,99 | 1,72 |
| 60 | 10 | 2.286 | 1.080 | 1,93 | 2,12 | 1,83 |

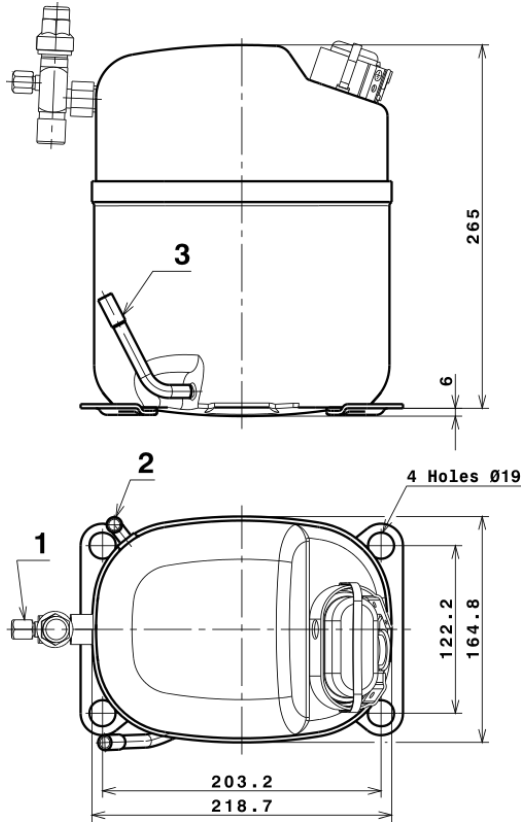
| | | | | | | |
|----|-----|-------|-------|------|------|------|
| 65 | -25 | 118 | 281 | 1,12 | 0,42 | 0,36 |
| 65 | -20 | 273 | 419 | 1,23 | 0,65 | 0,56 |
| 65 | -15 | 468 | 552 | 1,35 | 0,85 | 0,73 |
| 65 | -10 | 705 | 679 | 1,47 | 1,04 | 0,90 |
| 65 | -5 | 982 | 800 | 1,60 | 1,23 | 1,06 |
| 65 | 0 | 1.300 | 916 | 1,73 | 1,42 | 1,23 |
| 65 | 5 | 1.659 | 1.027 | 1,86 | 1,62 | 1,40 |
| 65 | 7,2 | 1.830 | 1.074 | 1,92 | 1,70 | 1,47 |
| 65 | 10 | 2.059 | 1.132 | 1,99 | 1,82 | 1,57 |

EN12900

| X | Cooling Capacity (W) | Consumption (W) | Current (A) | Mass Flow (kg/h) |
|---|----------------------|-----------------|---------------|---------------------|
| 1 | 3.689,4992082471 | 524,7730515282 | 1,2555296117 | 64,554665826614 |
| 2 | 125,2607329633 | -4,7265085396 | -0,0036459383 | 2,3376524802341 |
| 3 | -37,5120222629 | 6,3947679953 | 0,0077830941 | -0,39363844196139 |
| 4 | 0,8034659841 | -0,1056953648 | 0,0000227531 | 0,023544868927309 |
| 5 | -0,9167762306 | 0,4339235014 | 0,0004594400 | -0,0053891711914171 |

| | |
|----------|---|
| Equation | $x_1 + x_2Te + x_3Tc + x_4Te^2 + x_5TeTc$ |
|----------|---|

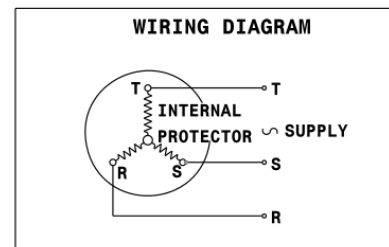
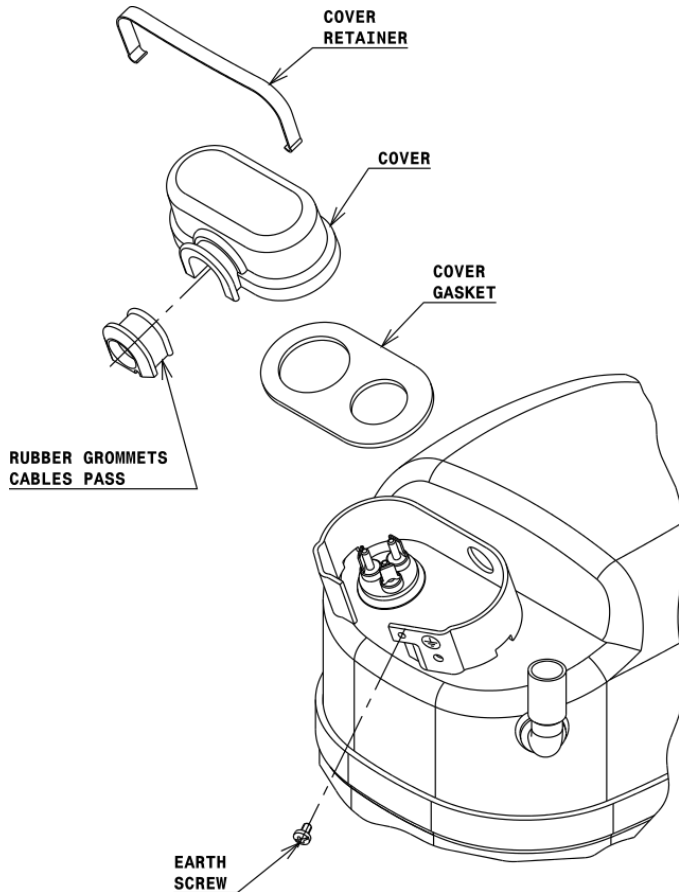
COMPRESSOR DIMENSIONS



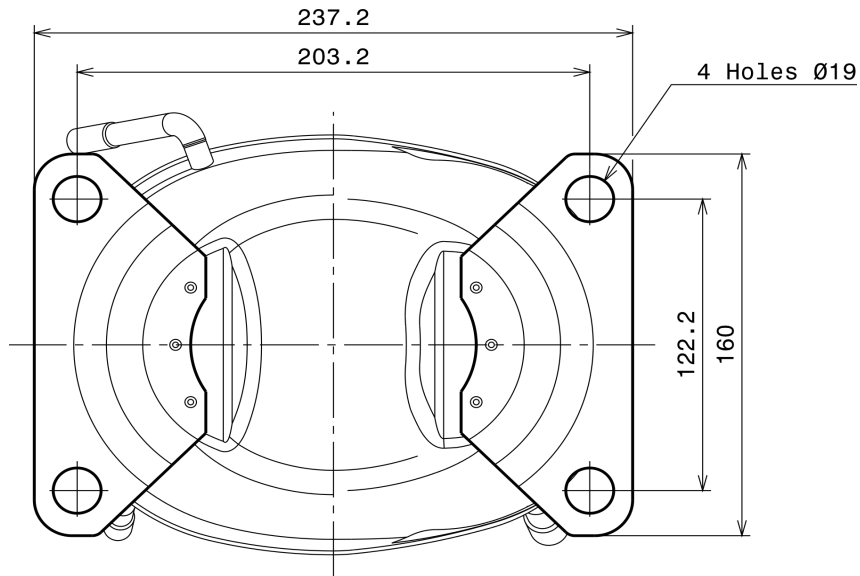
| | DESIGNATION | INTERNAL DIAM. |
|---|---------------|----------------|
| 1 | Service Valve | 5/8" SAE |
| 2 | Service | 9,7 mm |
| 3 | Discharge | 8,0 mm |

WIRING DIAGRAMS AND ELECTRICAL ASSEMBLY

3PH CONNECTION (S range)



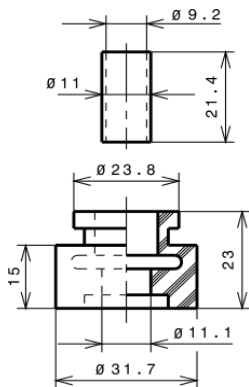
FIXINGS



SILENT BLOCKS (MOUNTING ACCESSORIES)

STANDARD

Ø19 holes (203.2x122.2 net)



SOA

SOA R134a HMBP

