

Technical Data Sheet

Compressor model **GS26T3_T**
 Voltage **400/440V 50/60Hz ~3**
 Refrigerant **R134a**

APPLICATION

COMPRESSOR

MOTOR

Application	High-Medium Back Pressure	Displacement	25,93 cm ³	Nominal Power	3/4 hp
Refrigerant	R134a	Diameter	39,98 mm	Voltage/Frequency	400V 50Hz
Evaporating Temp.	-25,0 °C to 10,0 °C	Stroke	20,65 mm	Voltage range	323-462 V
Expansion	Capillar/Valve	Net Weight	22,70 Kg	Type	3PHASE
Comp. Cooling	Fan cooled	Oil type	ISO VG 32 ESTER	Phase number	3 PH
Max. ambient temp.	43,0 °C	Oil charge	887 cm ³	Locked Rotor Amps (LRA)	9,50 A
Compatible refriger.	R1234yf			Max. Cont. Current (MCC)	3,50 A
				Main W. resist. at 25°C	16,22 Ω
				Start W. resist. at 25°C	21,10 Ω

NOMINAL PERFORMANCE

APPROVALS

	ASHRAE	CECOMAF
Cooling Capacity	2.140 kCal/h	2.070 W
COP	2,55 W/W	2,19 W/W
EER	2,19 kCal/Wh	1,90 kCal/Wh
Input Power	975 W	944 W
Current	1,80 A	1,76 A

TEST CYCLE CONDITIONS

	ASHRAE HMBP (D)	CECOMAF HMBP (C)
Evaporating temp. (T _e)	7,2 °C	5,0 °C
Condensing temp. (T _c)	55,0 °C	55,0 °C
Liquid temp. (T _{liq.})	46,0 °C	55,0 °C
Ambient temp. (T _{amb.})	35,0 °C	32,0 °C
Suction temp. (T _{suction})	35,0 °C	32,0 °C
Voltage/Frequency	400 V 50 Hz	400 V 50 Hz

ELECTRICAL COMPONENTS

Relay				
Reference				
Voltage				
Resistance				
Protector	Option 1			
Reference	INTERNAL			
Current				
Time check				
Disc temp. (Open/Close)				

ASHRAE

Tc °C	Te °C	Cooling Capacity kCal/h	Consumption W	Current A	COP W/W	EER kCal/Wh
40	-25	450	388	1,20	1,35	1,16
40	-20	694	473	1,28	1,71	1,47
40	-15	976	552	1,35	2,06	1,77
40	-10	1.298	625	1,42	2,41	2,07
40	-5	1.658	694	1,49	2,78	2,39
40	0	2.057	756	1,55	3,16	2,72
40	5	2.495	814	1,62	3,57	3,07
40	7,2	2.700	837	1,64	3,75	3,23
40	10	2.972	865	1,67	3,99	3,43

45	-25	383	366	1,19	1,22	1,05
45	-20	608	461	1,27	1,53	1,32
45	-15	872	551	1,35	1,84	1,58
45	-10	1.175	635	1,43	2,15	1,85
45	-5	1.517	714	1,51	2,47	2,12
45	0	1.897	787	1,59	2,80	2,41
45	5	2.317	855	1,66	3,15	2,71
45	7,2	2.513	883	1,69	3,31	2,85
45	10	2.775	917	1,73	3,52	3,03

50	-25	317	345	1,17	1,07	0,92
50	-20	523	450	1,26	1,35	1,16
50	-15	768	550	1,35	1,62	1,40
50	-10	1.053	645	1,44	1,90	1,63
50	-5	1.376	734	1,53	2,18	1,87
50	0	1.737	818	1,62	2,47	2,12
50	5	2.138	896	1,71	2,77	2,39
50	7,2	2.327	929	1,75	2,91	2,50
50	10	2.578	969	1,79	3,09	2,66

55	-25	250	323	1,15	0,90	0,77
55	-20	438	439	1,25	1,16	1,00
55	-15	664	550	1,35	1,41	1,21
55	-10	930	655	1,45	1,65	1,42
55	-5	1.234	755	1,55	1,90	1,64
55	0	1.578	849	1,65	2,16	1,86
55	5	1.960	938	1,76	2,43	2,09
55	7,2	2.140	975	1,80	2,55	2,19
55	10	2.380	1.021	1,86	2,71	2,33

60	-25	183	301	1,13	0,71	0,61
60	-20	353	428	1,24	0,96	0,82
60	-15	561	549	1,35	1,19	1,02
60	-10	807	665	1,46	1,41	1,21
60	-5	1.093	775	1,57	1,64	1,41
60	0	1.418	880	1,69	1,87	1,61
60	5	1.781	979	1,80	2,12	1,82
60	7,2	1.953	1.021	1,86	2,23	1,91
60	10	2.183	1.073	1,92	2,37	2,04

65	-25	117	280	1,12	0,49	0,42
65	-20	267	417	1,23	0,75	0,64
65	-15	457	549	1,35	0,97	0,83
65	-10	685	675	1,47	1,18	1,02
65	-5	952	795	1,60	1,39	1,20
65	0	1.258	911	1,72	1,61	1,38
65	5	1.603	1.020	1,85	1,83	1,57
65	7,2	1.767	1.067	1,91	1,93	1,66
65	10	1.986	1.125	1,98	2,05	1,77

CECOMAF

Tc °C	Te °C	Cooling Capacity W	Consumption W	Current A	COP W/W	EER kCal/Wh
40	-25	485	390	1,21	1,24	1,07
40	-20	750	475	1,28	1,58	1,36
40	-15	1.055	555	1,35	1,90	1,64
40	-10	1.402	629	1,42	2,23	1,93
40	-5	1.789	698	1,49	2,56	2,22
40	0	2.217	761	1,56	2,91	2,52
40	5	2.686	819	1,62	3,28	2,84
40	7,2	2.906	842	1,65	3,45	2,98
40	10	3.196	871	1,68	3,67	3,17

45	-25	411	368	1,19	1,12	0,97
45	-20	654	464	1,27	1,41	1,22
45	-15	938	554	1,35	1,69	1,46
45	-10	1.262	639	1,43	1,98	1,71
45	-5	1.628	718	1,51	2,27	1,96
45	0	2.034	792	1,59	2,57	2,22
45	5	2.481	860	1,67	2,88	2,49
45	7,2	2.690	889	1,70	3,03	2,62
45	10	2.969	923	1,74	3,22	2,78

50	-25	338	346	1,17	0,98	0,84
50	-20	559	453	1,26	1,23	1,07
50	-15	820	553	1,35	1,48	1,28
50	-10	1.123	649	1,44	1,73	1,50
50	-5	1.466	739	1,54	1,99	1,72
50	0	1.850	823	1,63	2,25	1,94
50	5	2.275	902	1,71	2,52	2,18
50	7,2	2.475	935	1,75	2,65	2,29
50	10	2.741	975	1,80	2,81	2,43

55	-25	265	325	1,15	0,81	0,70
55	-20	463	441	1,25	1,05	0,91
55	-15	703	553	1,35	1,27	1,10
55	-10	984	659	1,45	1,49	1,29
55	-5	1.305	759	1,56	1,72	1,49
55	0	1.667	854	1,66	1,95	1,69
55	5	2.070	944	1,76	2,19	1,90
55	7,2	2.260	981	1,81	2,30	1,99
55	10	2.514	1.028	1,86	2,45	2,11

60	-25	191	303	1,13	0,63	0,55
60	-20	368	430	1,24	0,86	0,74
60	-15	586	552	1,35	1,06	0,92
60	-10	844	669	1,46	1,26	1,09
60	-5	1.143	780	1,58	1,47	1,27
60	0	1.484	885	1,70	1,68	1,45
60	5	1.864	985	1,81	1,89	1,63
60	7,2	2.045	1.028	1,86	1,99	1,72
60	10	2.286	1.080	1,93	2,12	1,83

65	-25	118	281	1,12	0,42	0,36
65	-20	273	419	1,23	0,65	0,56
65	-15	468	552	1,35	0,85	0,73
65	-10	705	679	1,47	1,04	0,90
65	-5	982	800	1,60	1,23	1,06
65	0	1.300	916	1,73	1,42	1,23
65	5	1.659	1.027	1,86	1,62	1,40
65	7,2	1.830	1.074	1,92	1,70	1,47
65	10	2.059	1.132	1,99	1,82	1,57

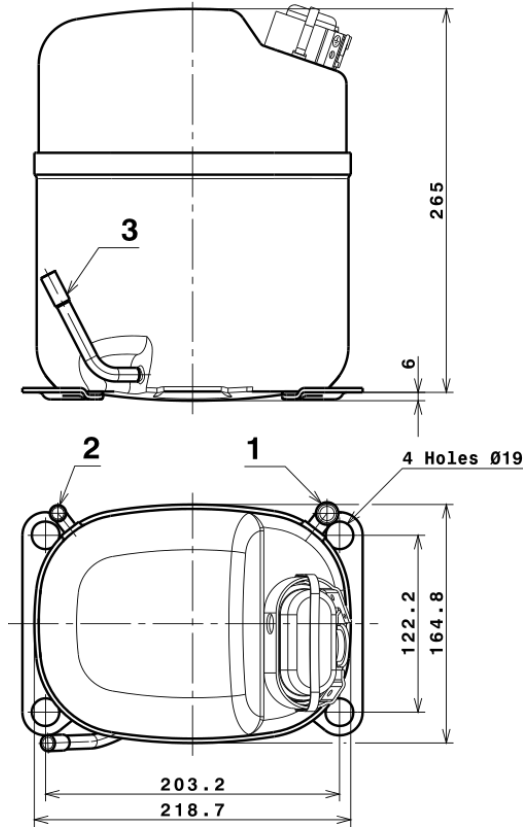
EN12900

X	Cooling Capacity (W)	Consumption (W)	Current (A)	Mass Flow (kg/h)
1	3.689,4992082471	524,7730515282	1,2555296117	64,554665826614
2	125,2607329633	-4,7265085396	-0,0036459383	2,3376524802341
3	-37,5120222629	6,3947679953	0,0077830941	-0,39363844196139
4	0,8034659841	-0,1056953648	0,0000227531	0,023544868927309
5	-0,9167762306	0,4339235014	0,0004594400	-0,0053891711914171

Equation	$x_1 + x_2Te + x_3Tc + x_4Te^2 + x_5TeTc$
----------	---

Technical Data Sheet

COMPRESSOR DIMENSIONS

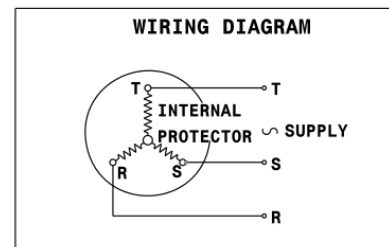
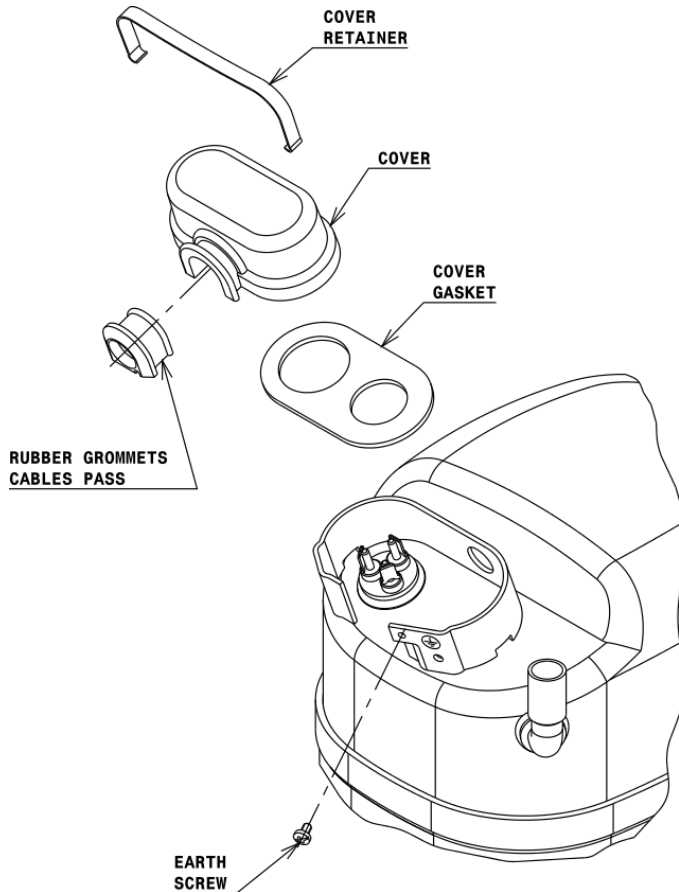


DESIGNATION INTERNAL DIAM.

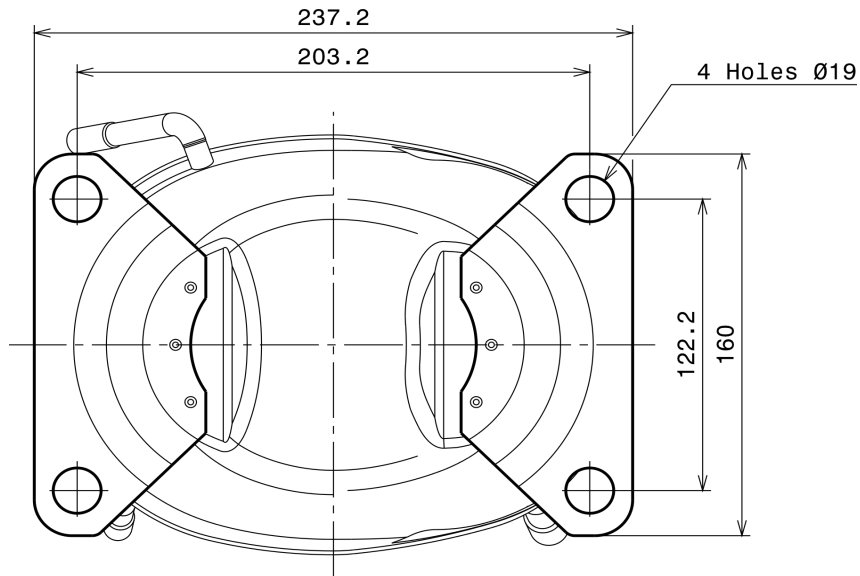
1	Suction	12,7 mm
2	Service	9,7 mm
3	Discharge	8,0 mm

WIRING DIAGRAMS AND ELECTRICAL ASSEMBLY

3PH CONNECTION (S range)



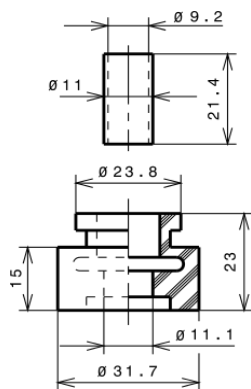
FIXINGS



SILENT BLOCKS (MOUNTING ACCESSORIES)

STANDARD

Ø19 holes (203.2x122.2 net)



SOA

SOA R134a HMBP

