

Technical Data Sheet

Compressor model **GP14TG**
 Voltage **200-220/220-230V 50/60Hz ~1**
 Refrigerant **R134a**

APPLICATION		COMPRESSOR		MOTOR	
Application	High-Medium Back Pressure	Displacement	14,17 cm ³	Nominal Power	3/8 hp
Refrigerant	R134a	Diameter	31,19 mm	Voltage/Frequency	220-230V 60Hz
Evaporating Temp.	-25,0 °C to 10,0 °C	Stroke	18,54 mm	Voltage range	187-253 V
Expansion	Capillar/Valve	Net Weight	11,98 Kg	Type	CSIR
Comp. Cooling	Fan cooled	Oil type	ISO VG 32 ESTER	Phase number	1 PH
Max. ambient temp.	43,0 °C	Oil charge	400 cm ³	Locked Rotor Amps (LRA)	20,00 A
Compatible refriger.	R1234yf			Max. Cont. Current (MCC)	5,50 A
				Main W. resist. at 25°C	4,31 Ω
				Start W. resist. at 25°C	19,26 Ω

NOMINAL PERFORMANCE

	ASHRAE	CECOMAF
Cooling Capacity	1.205 kCal/h	1.168 W
COP	2,03 W/W	1,76 W/W
EER	1,75 kCal/Wh	1,52 kCal/Wh
Input Power	690 W	662 W
Current	3,70 A	3,61 A

APPROVALS



TEST CYCLE CONDITIONS

	ASHRAE HMBP (D)	CECOMAF HMBP (C)
Evaporating temp. (T _e)	7,2 °C	5,0 °C
Condensing temp. (T _c)	55,0 °C	55,0 °C
Liquid temp. (T _{liq.})	46,0 °C	55,0 °C
Ambient temp. (T _{amb.})	35,0 °C	32,0 °C
Suction temp. (T _{suction})	35,0 °C	32,0 °C
Voltage/Frequency	230 V 60 Hz	230 V 60 Hz



ELECTRICAL COMPONENTS

Starting capacitor	47- 56 µF 330 V			
Relay	Option 1			
Reference	2014 158.			
Pick-Up	9,05 A			
Drop-Out	7,70 A			
Protector	Option 1	Option 2		
Reference	MRA38138	T0268		
Current	15,30 A	15,00 A		
Time check	7,5-14 seg	7,5-14 seg		
Disc temp. (Open/Close)	105,00 / 52,00 °C	105,00 / 52,00 °C		

ASHRAE

Tc °C	Te °C	Cooling Capacity kCal/h	Consumption W	Current A	COP W/W	EER kCal/Wh
40	-25	305	296	2,36	1,20	1,03
40	-20	427	343	2,51	1,45	1,25
40	-15	573	392	2,69	1,70	1,46
40	-10	742	445	2,87	1,94	1,67
40	-5	936	501	3,06	2,17	1,87
40	0	1.154	560	3,26	2,40	2,06
40	5	1.395	622	3,47	2,61	2,24
40	7,2	1.509	650	3,56	2,70	2,32
40	10	1.661	687	3,69	2,81	2,42

45	-25	273	291	2,34	1,09	0,94
45	-20	384	340	2,51	1,31	1,13
45	-15	519	393	2,69	1,54	1,32
45	-10	678	448	2,88	1,76	1,51
45	-5	861	507	3,08	1,98	1,70
45	0	1.068	569	3,29	2,18	1,88
45	5	1.299	634	3,51	2,38	2,05
45	7,2	1.408	663	3,61	2,47	2,12
45	10	1.553	702	3,74	2,57	2,21

50	-25	242	285	2,32	0,99	0,85
50	-20	342	338	2,50	1,18	1,01
50	-15	466	393	2,69	1,38	1,19
50	-10	614	452	2,89	1,58	1,36
50	-5	786	513	3,10	1,78	1,53
50	0	982	578	3,32	1,98	1,70
50	5	1.202	646	3,55	2,16	1,86
50	7,2	1.306	677	3,65	2,25	1,93
50	10	1.446	717	3,79	2,35	2,02

55	-25	210	280	2,30	0,87	0,75
55	-20	299	335	2,49	1,04	0,89
55	-15	413	394	2,69	1,22	1,05
55	-10	550	455	2,90	1,41	1,21
55	-5	711	520	3,12	1,59	1,37
55	0	896	587	3,35	1,78	1,53
55	5	1.105	658	3,59	1,95	1,68
55	7,2	1.205	690	3,70	2,03	1,75
55	10	1.338	732	3,84	2,13	1,83

60	-25	178	275	2,28	0,76	0,65
60	-20	257	333	2,48	0,90	0,77
60	-15	359	394	2,69	1,06	0,91
60	-10	486	458	2,91	1,23	1,06
60	-5	636	526	3,14	1,41	1,21
60	0	811	596	3,38	1,58	1,36
60	5	1.009	670	3,63	1,75	1,51
60	7,2	1.104	703	3,75	1,83	1,57
60	10	1.231	747	3,89	1,92	1,65

65	-25	147	269	2,26	0,63	0,54
65	-20	214	330	2,47	0,75	0,65
65	-15	306	394	2,69	0,90	0,78
65	-10	422	462	2,92	1,06	0,91
65	-5	561	532	3,16	1,23	1,06
65	0	725	605	3,41	1,39	1,20
65	5	912	682	3,67	1,56	1,34
65	7,2	1.002	717	3,79	1,63	1,40
65	10	1.124	762	3,94	1,72	1,48

CECOMAF

Tc °C	Te °C	Cooling Capacity W	Consumption W	Current A	COP W/W	EER kCal/Wh
40	-25	329	298	2,36	1,10	0,95
40	-20	461	344	2,52	1,34	1,16
40	-15	619	394	2,69	1,57	1,36
40	-10	802	447	2,87	1,79	1,55
40	-5	1.010	504	3,07	2,01	1,73
40	0	1.244	563	3,27	2,21	1,91
40	5	1.502	626	3,48	2,40	2,07
40	7,2	1.624	654	3,58	2,48	2,14
40	10	1.786	691	3,70	2,58	2,23

45	-25	293	292	2,34	1,00	0,87
45	-20	413	342	2,51	1,21	1,04
45	-15	558	395	2,69	1,41	1,22
45	-10	729	451	2,89	1,62	1,40
45	-5	924	510	3,09	1,81	1,57
45	0	1.145	572	3,30	2,00	1,73
45	5	1.391	638	3,52	2,18	1,88
45	7,2	1.507	668	3,62	2,26	1,95
45	10	1.662	706	3,76	2,35	2,03

50	-25	258	287	2,32	0,90	0,78
50	-20	365	339	2,50	1,08	0,93
50	-15	497	395	2,70	1,26	1,09
50	-10	655	454	2,90	1,44	1,25
50	-5	838	516	3,11	1,62	1,40
50	0	1.046	582	3,33	1,80	1,55
50	5	1.279	650	3,56	1,97	1,70
50	7,2	1.390	681	3,67	2,04	1,76
50	10	1.538	721	3,81	2,13	1,84

55	-25	222	281	2,31	0,79	0,68
55	-20	317	337	2,50	0,94	0,81
55	-15	437	396	2,70	1,10	0,95
55	-10	582	458	2,91	1,27	1,10
55	-5	752	523	3,13	1,44	1,24
55	0	947	591	3,36	1,60	1,39
55	5	1.168	662	3,61	1,76	1,52
55	7,2	1.273	694	3,72	1,83	1,58
55	10	1.413	737	3,86	1,92	1,66

60	-25	187	276	2,29	0,68	0,58
60	-20	269	335	2,49	0,80	0,69
60	-15	376	396	2,70	0,95	0,82
60	-10	508	461	2,92	1,10	0,95
60	-5	666	529	3,15	1,26	1,09
60	0	848	600	3,39	1,41	1,22
60	5	1.056	674	3,65	1,57	1,35
60	7,2	1.156	708	3,76	1,63	1,41
60	10	1.289	752	3,91	1,72	1,48

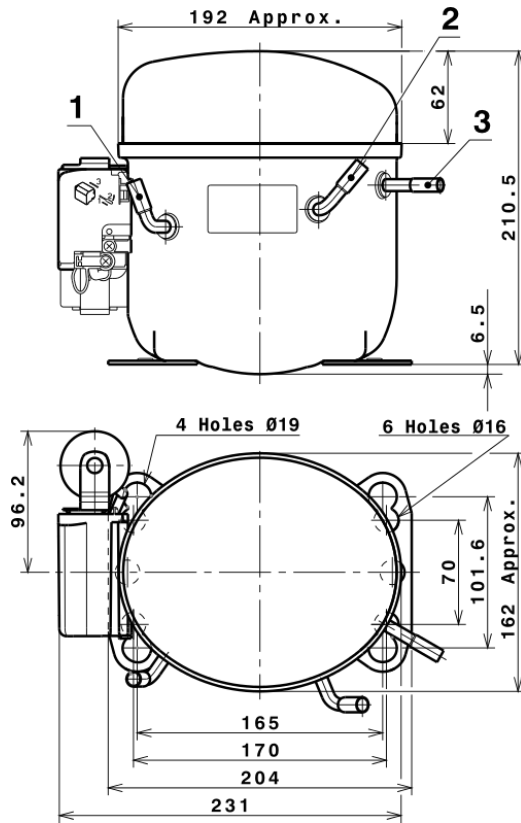
65	-25	151	271	2,27	0,56	0,48
65	-20	221	332	2,48	0,66	0,57
65	-15	315	397	2,70	0,79	0,69
65	-10	435	464	2,93	0,94	0,81
65	-5	580	535	3,17	1,08	0,94
65	0	749	609	3,43	1,23	1,06
65	5	945	686	3,69	1,38	1,19
65	7,2	1.038	721	3,81	1,44	1,24
65	10	1.165	767	3,96	1,52	1,31

EN12900

X	Cooling Capacity (W)	Consumption (W)	Current (A)	Mass Flow (kg/h)
1	2.037,8664468170	501,9316651878	3,0624500058	35,277417216765
2	69,6023470823	7,8724800900	0,0267473715	1,3181288407296
3	-20,2509615548	1,8970724556	0,0064194016	-0,19817669433051
4	0,4949132454	0,0686790197	0,0002241865	0,014308577534924
5	-0,5258320287	0,1197309675	0,0004074843	-0,0037580590065984

Equation	$x_1 + x_2Te + x_3Tc + x_4Te^2 + x_5TeTc$
----------	---

COMPRESSOR DIMENSIONS



DESIGNATION INTERNAL DIAM.

1	Suction	8,1 mm
2	Service	8,1 mm
3	Discharge	6,5 mm

WIRING DIAGRAMS AND ELECTRICAL ASSEMBLY

CSIR CONNECTION (L, P ranges)



Technical Data Sheet

FIXINGS



SILENT BLOCKS (MOUNTING ACCESSORIES)

STANDARD

Ø16 holes (170x70 net)



AMERICAN FEET

Ø19 holes (165x101.6 net)



SNAP-ON

Ø16 holes (170x70 net)



SOA

SOA R134a HMBP

