

Technical Data Sheet

Compressor model **GPY14RDa**
 Voltage **115V 60Hz ~1**
 Refrigerant **R134a**

APPLICATION

COMPRESSOR

MOTOR

Application	High Back Pressure	Displacement	14,32 cm ³	Nominal Power	1/2 hp
Refrigerant	R134a	Diameter	29,37 mm	Voltage/Frequency	115V 60Hz
Evaporating Temp.	-15,0 °C to 10,0 °C	Stroke	21,13 mm	Voltage range	98-127 V
Expansion	Capillar/Valve	Net Weight	12,03 Kg	Type	CSIR
Comp. Cooling	Fan cooled	Oil type	ISO VG 32 ESTER	Phase number	1 PH
Max. ambient temp.	43,0 °C	Oil charge	400 cm ³	Locked Rotor Amps (LRA)	44,50 A
Compatible refriger.	R1234yf			Max. Cont. Current (MCC)	10,90 A
				Main W. resist. at 25°C	0,89 Ω
				Start W. resist. at 25°C	4,55 Ω

NOMINAL PERFORMANCE

APPROVALS

	ASHRAE	CECOMAF
Cooling Capacity	1.467 kCal/h	1.410 W
COP	2,22 W/W	1,90 W/W
EER	1,91 kCal/Wh	1,64 kCal/Wh
Input Power	770 W	743 W
Current	7,77 A	7,74 A

TEST CYCLE CONDITIONS

	ASHRAE HBP (D)	CECOMAF HBP (C)
Evaporating temp. (T _e)	7,2 °C	5,0 °C
Condensing temp. (T _c)	55,0 °C	55,0 °C
Liquid temp. (T _{liq.})	46,0 °C	55,0 °C
Ambient temp. (T _{amb.})	35,0 °C	32,0 °C
Suction temp. (T _{suction})	35,0 °C	32,0 °C
Voltage/Frequency	115 V 60 Hz	115 V 60 Hz

ELECTRICAL COMPONENTS

Starting capacitor	250 µF 160 V			
Relay	Option 1			
Reference	2014 191.			
Pick-Up	24,40 A			
Drop-Out	20,30 A			
Protector	Option 1			
Reference	T0257			
Current	24,00 A			
Time check	6,0-16 seg			
Disc temp. (Open/Close)	120,00 / 52,00 °C			

ASHRAE

Tc °C	Te °C	Cooling Capacity kCal/h	Consumption W	Current A	COP W/W	EER kCal/Wh
40	-15	577	447	6,75	1,50	1,29
40	-10	739	492	6,98	1,75	1,50
40	-5	940	540	7,20	2,02	1,74
40	0	1.180	593	7,39	2,32	1,99
40	5	1.460	649	7,56	2,62	2,25
40	7,2	1.596	675	7,62	2,75	2,36
40	10	1.780	709	7,69	2,92	2,51

45	-15	547	459	6,81	1,39	1,19
45	-10	706	508	7,06	1,61	1,39
45	-5	904	561	7,28	1,87	1,61
45	0	1.142	618	7,47	2,15	1,85
45	5	1.419	679	7,63	2,43	2,09
45	7,2	1.553	707	7,69	2,56	2,20
45	10	1.735	743	7,74	2,72	2,33

50	-15	517	472	6,88	1,27	1,10
50	-10	673	525	7,13	1,49	1,28
50	-5	868	582	7,36	1,73	1,49
50	0	1.103	644	7,55	1,99	1,71
50	5	1.377	709	7,69	2,26	1,94
50	7,2	1.510	738	7,74	2,38	2,05
50	10	1.690	777	7,78	2,53	2,17

55	-15	487	484	6,94	1,17	1,01
55	-10	640	542	7,20	1,37	1,18
55	-5	832	604	7,43	1,60	1,38
55	0	1.064	669	7,61	1,85	1,59
55	5	1.335	738	7,74	2,10	1,81
55	7,2	1.467	770	7,77	2,22	1,91
55	10	1.646	811	7,79	2,36	2,03

60	-15	457	496	7,00	1,07	0,92
60	-10	607	559	7,27	1,26	1,09
60	-5	796	625	7,49	1,48	1,28
60	0	1.025	694	7,66	1,72	1,48
60	5	1.293	768	7,77	1,96	1,68
60	7,2	1.424	802	7,79	2,07	1,78
60	10	1.601	846	7,79	2,20	1,89

65	-15	427	509	7,06	0,98	0,84
65	-10	574	575	7,33	1,16	1,00
65	-5	761	646	7,55	1,37	1,18
65	0	986	720	7,71	1,59	1,37
65	5	1.252	798	7,79	1,82	1,57
65	7,2	1.381	833	7,80	1,93	1,66
65	10	1.557	880	7,78	2,06	1,77

CECOMAF

Tc °C	Te °C	Cooling Capacity W	Consumption W	Current A	COP W/W	EER kCal/Wh
40	-15	621	449	6,76	1,38	1,19
40	-10	797	495	6,99	1,61	1,39
40	-5	1.014	543	7,21	1,87	1,61
40	0	1.273	596	7,41	2,13	1,84
40	5	1.572	653	7,57	2,41	2,08
40	7,2	1.718	679	7,63	2,53	2,18
40	10	1.914	714	7,70	2,68	2,32

45	-15	586	462	6,83	1,27	1,10
45	-10	757	511	7,07	1,48	1,28
45	-5	969	565	7,29	1,72	1,48
45	0	1.223	622	7,49	1,97	1,70
45	5	1.518	683	7,64	2,22	1,92
45	7,2	1.662	711	7,69	2,34	2,02
45	10	1.855	748	7,75	2,48	2,14

50	-15	551	474	6,89	1,16	1,00
50	-10	717	528	7,14	1,36	1,17
50	-5	925	586	7,37	1,58	1,36
50	0	1.174	647	7,56	1,81	1,57
50	5	1.464	713	7,70	2,05	1,77
50	7,2	1.605	743	7,74	2,16	1,87
50	10	1.796	782	7,78	2,30	1,98

55	-15	515	487	6,95	1,06	0,91
55	-10	677	545	7,21	1,24	1,07
55	-5	880	607	7,44	1,45	1,25
55	0	1.124	673	7,62	1,67	1,44
55	5	1.410	743	7,74	1,90	1,64
55	7,2	1.549	775	7,77	2,00	1,73
55	10	1.738	817	7,79	2,13	1,84

60	-15	480	499	7,01	0,96	0,83
60	-10	637	562	7,28	1,13	0,98
60	-5	835	628	7,50	1,33	1,15
60	0	1.075	699	7,67	1,54	1,33
60	5	1.356	773	7,77	1,75	1,52
60	7,2	1.493	807	7,79	1,85	1,60
60	10	1.679	851	7,79	1,97	1,70

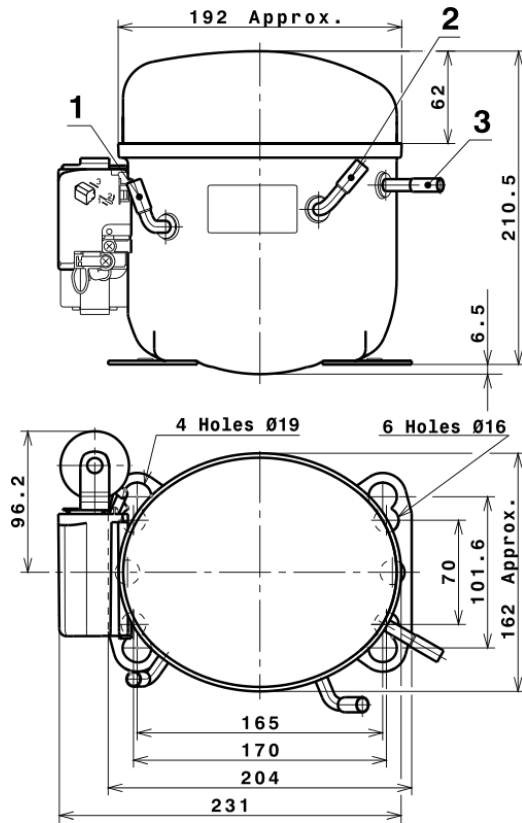
65	-15	444	511	7,07	0,87	0,75
65	-10	597	578	7,34	1,03	0,89
65	-5	791	649	7,56	1,22	1,05
65	0	1.026	724	7,72	1,42	1,22
65	5	1.302	803	7,79	1,62	1,40
65	7,2	1.437	839	7,80	1,71	1,48
65	10	1.620	885	7,77	1,83	1,58

EN12900

X	Cooling Capacity (W)	Consumption (W)	Current (A)	Mass Flow (kg/h)
1	1.679,8369531450	401,7296078524	7,1409721370	25,277968939115
2	64,0185788269	4,1795974884	0,0386630731	1,0406180063396
3	-10,6016245289	5,2508264440	0,0093693457	0,064691235004674
4	0,8162720858	0,0861415668	-0,0011232859	0,024135039592264
5	-0,2201728181	0,1808500254	-0,0002232875	0,0069287365082463

Equation	$x_1 + x_2Te + x_3Tc + x_4Te^2 + x_5TeTc$
----------	---

COMPRESSOR DIMENSIONS

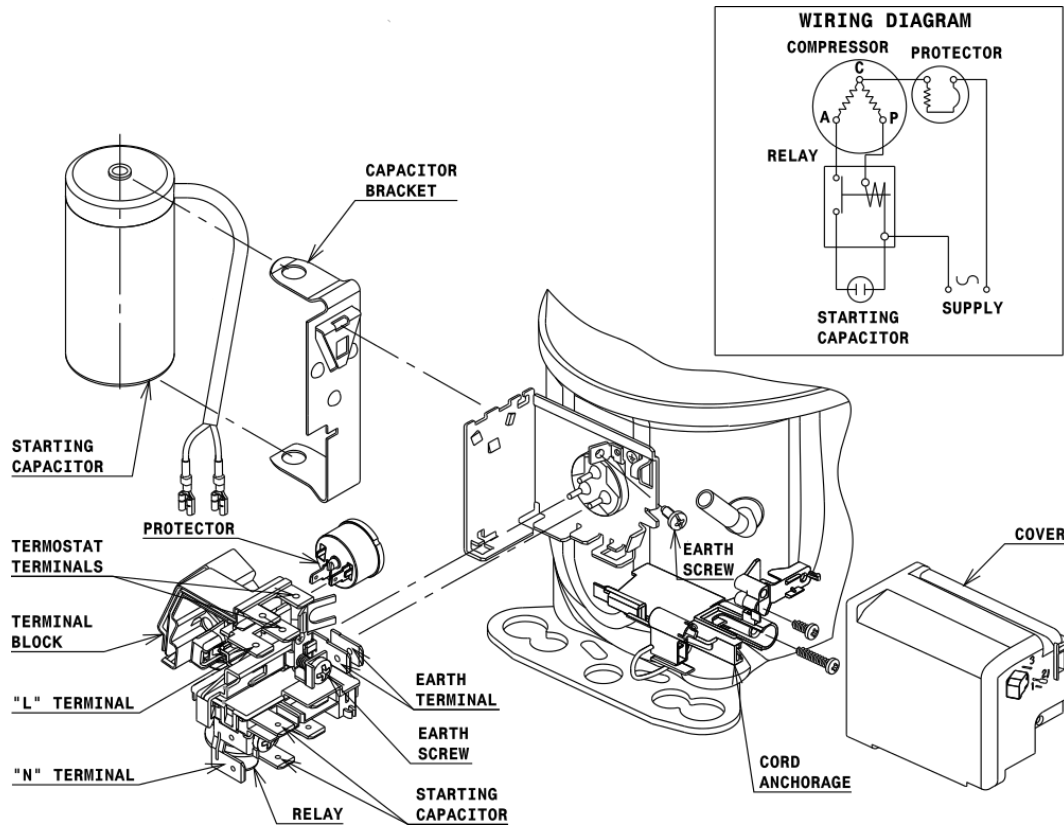


DESIGNATION INTERNAL DIAM.

1	Suction	8,1 mm
2	Service	8,1 mm
3	Discharge	6,5 mm

WIRING DIAGRAMS AND ELECTRICAL ASSEMBLY

CSIR CONNECTION (L, P ranges)



Technical Data Sheet

FIXINGS



SILENT BLOCKS (MOUNTING ACCESSORIES)

STANDARD

Ø16 holes (170x70 net)



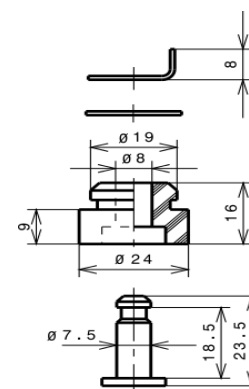
AMERICAN FEET

Ø19 holes (165x101.6 net)



SNAP-ON

Ø16 holes (170x70 net)



SOA

SOA R134a HBP

