

Technical Data Sheet

Compressor model **GP14TG**
 Voltage **200-220/220-230V 50/60Hz ~1**
 Refrigerant **R134a**

APPLICATION

COMPRESSOR

MOTOR

Application	High-Medium Back Pressure	Displacement	14,17 cm ³	Nominal Power	3/8 hp
Refrigerant	R134a	Diameter	31,19 mm	Voltage/Frequency	200-220V 50Hz
Evaporating Temp.	-25,0 °C to 10,0 °C	Stroke	18,54 mm	Voltage range	170-242 V
Expansion	Capillar/Valve	Net Weight	11,98 Kg	Type	CSIR
Comp. Cooling	Fan cooled	Oil type	ISO VG 32 ESTER	Phase number	1 PH
Max. ambient temp.	43,0 °C	Oil charge	400 cm ³	Locked Rotor Amps (LRA)	18,00 A
Compatible refriger.	R1234yf			Max. Cont. Current (MCC)	5,50 A
				Main W. resist. at 25°C	4,31 Ω
				Start W. resist. at 25°C	19,26 Ω

NOMINAL PERFORMANCE

	ASHRAE	CECOMAF
Cooling Capacity	1.030 kCal/h	998 W
COP	2,03 W/W	1,76 W/W
EER	1,75 kCal/Wh	1,52 kCal/Wh
Input Power	590 W	568 W
Current	3,70 A	3,62 A

APPROVALS



TEST CYCLE CONDITIONS

	ASHRAE HMBP (D)	CECOMAF HMBP (C)
Evaporating temp. (T _e)	7,2 °C	5,0 °C
Condensing temp. (T _c)	55,0 °C	55,0 °C
Liquid temp. (T _{liq.})	46,0 °C	55,0 °C
Ambient temp. (T _{amb.})	35,0 °C	32,0 °C
Suction temp. (T _{suction})	35,0 °C	32,0 °C
Voltage/Frequency	200 V 50 Hz	200 V 50 Hz



ELECTRICAL COMPONENTS

Starting capacitor	47- 56 µF 330 V		
Relay	Option 1		
Reference	2014 158.		
Pick-Up	9,05 A		
Drop-Out	7,70 A		
Protector	Option 1	Option 2	
Reference	MRA38138	T0268	
Current	15,30 A	15,00 A	
Time check	7,5-14 seg	7,5-14 seg	
Disc temp. (Open/Close)	105,00 / 52,00 °C	105,00 / 52,00 °C	

ASHRAE

Tc °C	Te °C	Cooling Capacity kCal/h	Consumption W	Current A	COP W/W	EER kCal/Wh
40	-25	260	256	2,52	1,18	1,02
40	-20	364	291	2,63	1,46	1,25
40	-15	489	328	2,75	1,73	1,49
40	-10	634	366	2,88	2,01	1,73
40	-5	800	406	3,02	2,29	1,97
40	0	986	447	3,17	2,56	2,20
40	5	1.193	491	3,32	2,83	2,43
40	7,2	1.290	510	3,40	2,94	2,53
40	10	1.420	535	3,49	3,09	2,65

45	-25	233	254	2,51	1,07	0,92
45	-20	328	293	2,64	1,30	1,12
45	-15	443	335	2,78	1,54	1,33
45	-10	579	377	2,92	1,79	1,54
45	-5	736	422	3,08	2,03	1,74
45	0	913	468	3,24	2,27	1,95
45	5	1.110	515	3,42	2,51	2,15
45	7,2	1.203	537	3,50	2,61	2,24
45	10	1.328	564	3,60	2,74	2,35

50	-25	207	252	2,51	0,95	0,82
50	-20	292	296	2,65	1,15	0,99
50	-15	398	341	2,80	1,36	1,17
50	-10	525	389	2,96	1,57	1,35
50	-5	672	437	3,13	1,79	1,54
50	0	839	488	3,31	2,00	1,72
50	5	1.027	540	3,51	2,21	1,90
50	7,2	1.117	563	3,60	2,31	1,98
50	10	1.236	594	3,71	2,42	2,08

55	-25	180	250	2,50	0,84	0,72
55	-20	256	298	2,66	1,00	0,86
55	-15	353	348	2,82	1,18	1,01
55	-10	470	400	3,00	1,37	1,18
55	-5	608	453	3,19	1,56	1,34
55	0	766	508	3,39	1,75	1,51
55	5	945	565	3,60	1,95	1,67
55	7,2	1.030	590	3,70	2,03	1,75
55	10	1.144	623	3,83	2,14	1,84

60	-25	153	248	2,49	0,72	0,62
60	-20	220	301	2,66	0,85	0,73
60	-15	307	355	2,85	1,01	0,87
60	-10	415	411	3,04	1,17	1,01
60	-5	544	469	3,25	1,35	1,16
60	0	693	528	3,46	1,52	1,31
60	5	862	589	3,70	1,70	1,46
60	7,2	943	617	3,80	1,78	1,53
60	10	1.052	652	3,94	1,88	1,61

65	-25	127	246	2,49	0,60	0,51
65	-20	184	303	2,67	0,71	0,61
65	-15	262	362	2,87	0,84	0,72
65	-10	361	423	3,08	0,99	0,85
65	-5	480	485	3,30	1,15	0,99
65	0	620	549	3,54	1,31	1,13
65	5	780	614	3,79	1,48	1,27
65	7,2	857	643	3,91	1,55	1,33
65	10	960	681	4,06	1,64	1,41

CECOMAF

Tc °C	Te °C	Cooling Capacity W	Consumption W	Current A	COP W/W	EER kCal/Wh
40	-25	280	257	2,52	1,09	0,94
40	-20	393	293	2,64	1,34	1,16
40	-15	528	329	2,76	1,60	1,39
40	-10	685	368	2,89	1,86	1,61
40	-5	863	408	3,03	2,11	1,83
40	0	1.063	450	3,18	2,36	2,04
40	5	1.284	494	3,34	2,60	2,25
40	7,2	1.388	513	3,41	2,70	2,34
40	10	1.527	539	3,50	2,83	2,45

45	-25	250	255	2,52	0,98	0,85
45	-20	353	295	2,65	1,20	1,03
45	-15	477	336	2,78	1,42	1,22
45	-10	622	379	2,93	1,64	1,42
45	-5	789	424	3,08	1,86	1,61
45	0	978	470	3,25	2,08	1,80
45	5	1.189	518	3,43	2,29	1,98
45	7,2	1.288	540	3,51	2,38	2,06
45	10	1.421	568	3,62	2,50	2,16

50	-25	220	253	2,51	0,87	0,75
50	-20	312	297	2,65	1,05	0,91
50	-15	425	343	2,81	1,24	1,07
50	-10	560	391	2,97	1,43	1,24
50	-5	716	440	3,14	1,63	1,41
50	0	894	491	3,33	1,82	1,57
50	5	1.093	543	3,52	2,01	1,74
50	7,2	1.188	567	3,61	2,10	1,81
50	10	1.314	598	3,73	2,20	1,90

55	-25	190	251	2,50	0,76	0,65
55	-20	271	300	2,66	0,90	0,78
55	-15	373	350	2,83	1,07	0,92
55	-10	497	402	3,01	1,24	1,07
55	-5	642	456	3,20	1,41	1,22
55	0	809	511	3,40	1,58	1,37
55	5	998	568	3,62	1,76	1,52
55	7,2	1.088	594	3,71	1,83	1,58
55	10	1.208	627	3,84	1,93	1,67

60	-25	161	249	2,50	0,64	0,56
60	-20	230	302	2,67	0,76	0,66
60	-15	322	357	2,85	0,90	0,78
60	-10	434	414	3,05	1,05	0,91
60	-5	569	472	3,26	1,21	1,04
60	0	725	532	3,48	1,36	1,18
60	5	903	593	3,71	1,52	1,32
60	7,2	988	621	3,82	1,59	1,37
60	10	1.102	656	3,96	1,68	1,45

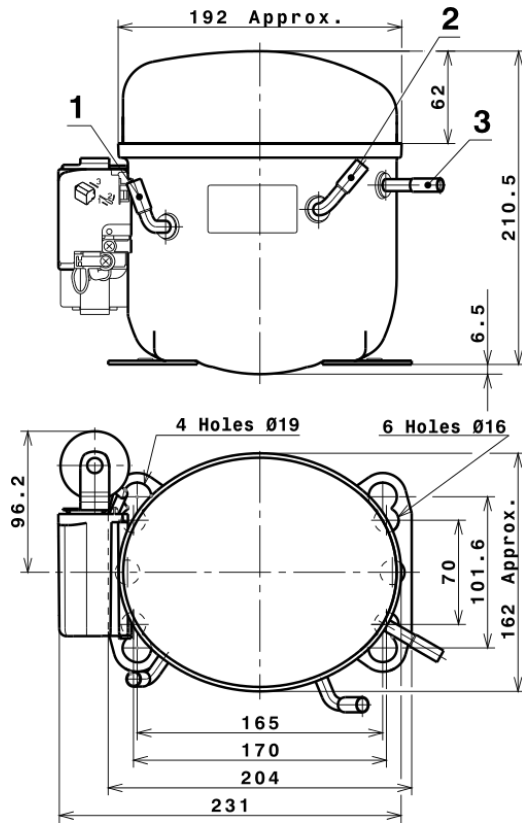
65	-25	131	247	2,49	0,53	0,46
65	-20	190	305	2,68	0,62	0,54
65	-15	270	364	2,88	0,74	0,64
65	-10	372	425	3,09	0,87	0,76
65	-5	495	488	3,31	1,02	0,88
65	0	641	552	3,55	1,16	1,00
65	5	807	618	3,81	1,31	1,13
65	7,2	888	647	3,93	1,37	1,18
65	10	996	686	4,08	1,45	1,25

EN12900

X	Cooling Capacity (W)	Consumption (W)	Current (A)	Mass Flow (kg/h)
1	1.741,1636784103	294,0610991977	2,5643672600	30,135931871509
2	59,6674742348	1,5202148447	0,0052174111	1,1307799907014
3	-17,2993850439	4,1924542365	0,0161454728	-0,16914252902303
4	0,4245970956	0,0375611421	0,0002567217	0,012270628783168
5	-0,4524032627	0,1841411955	0,0006984232	-0,0032809214173683

Equation	$x_1 + x_2Te + x_3Tc + x_4Te^2 + x_5TeTc$
----------	---

COMPRESSOR DIMENSIONS

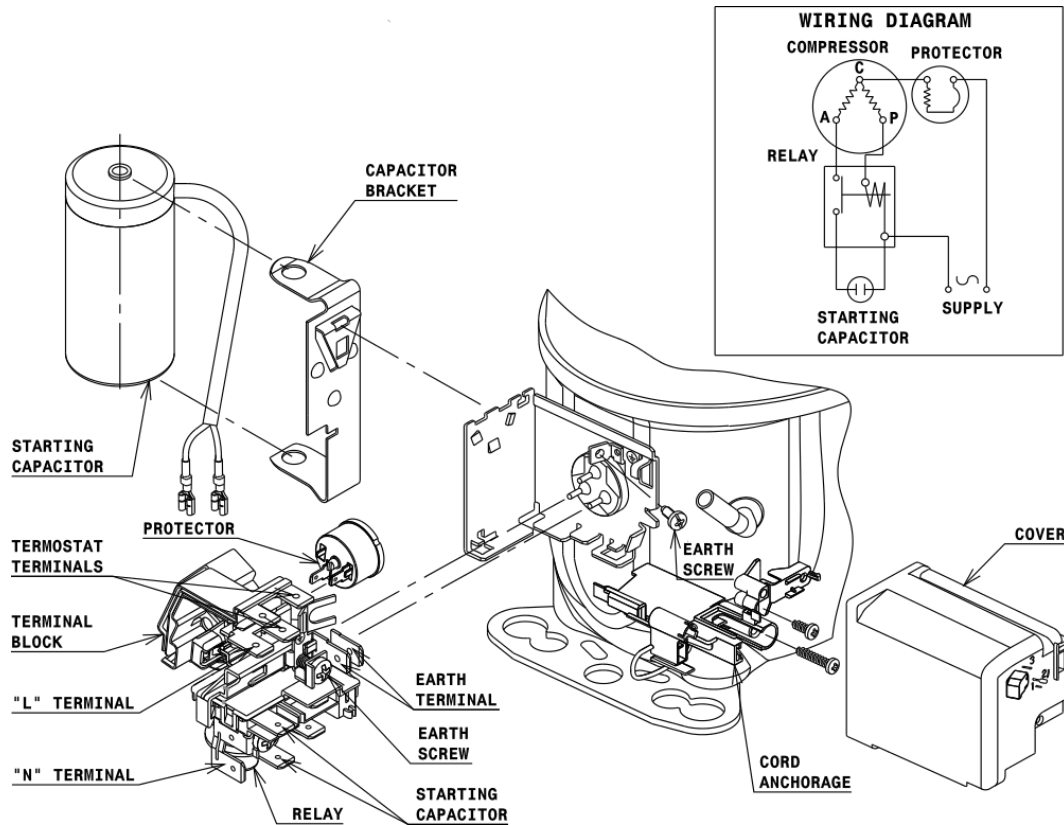


DESIGNATION INTERNAL DIAM.

1	Suction	8,1 mm
2	Service	8,1 mm
3	Discharge	6,5 mm

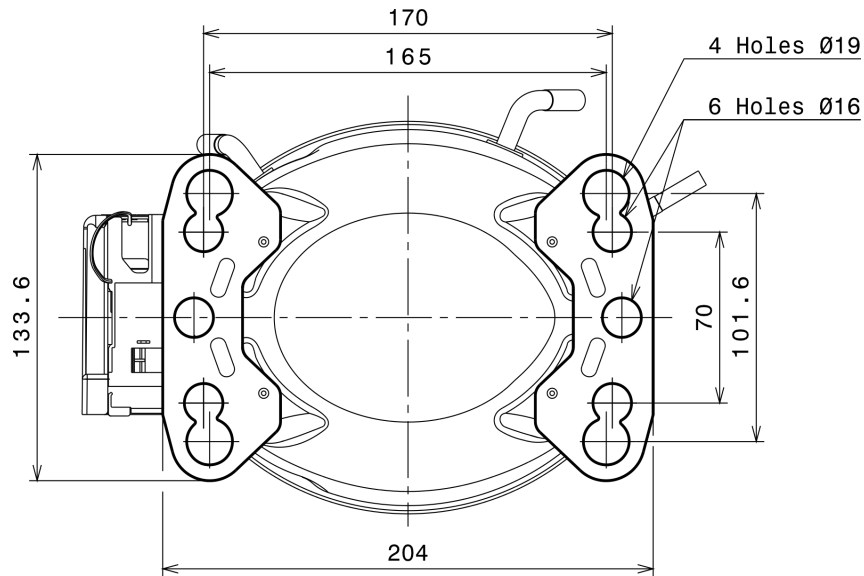
WIRING DIAGRAMS AND ELECTRICAL ASSEMBLY

CSIR CONNECTION (L, P ranges)



Technical Data Sheet

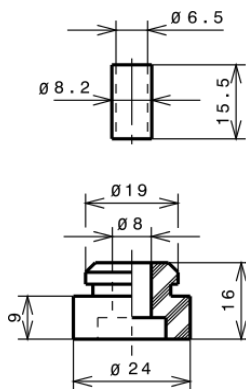
FIXINGS



SILENT BLOCKS (MOUNTING ACCESSORIES)

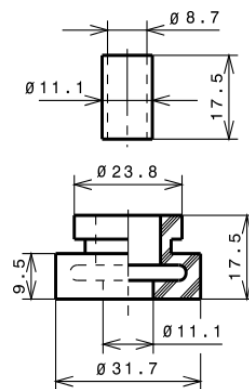
STANDARD

Ø16 holes (170x70 net)



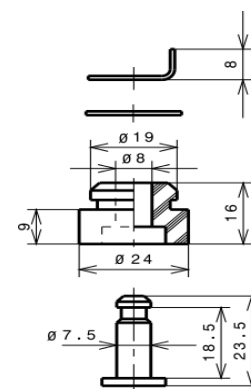
AMERICAN FEET

Ø19 holes (165x101.6 net)



SNAP-ON

Ø16 holes (170x70 net)



SOA

SOA R134a HMBP

