

Technical Data Sheet

Compressor model **GP14CG**
 Voltage **200-220/220-230V 50/60Hz ~1**
 Refrigerant **R134a**

APPLICATION		COMPRESSOR		MOTOR	
Application	Low Back Pressure	Displacement	14,17 cm ³	Nominal Power	3/8 hp
Refrigerant	R134a	Diameter	31,19 mm	Voltage/Frequency	200-220V 50Hz
Evaporating Temp.	-35,0 °C to -10,0 °C	Stroke	18,54 mm	Voltage range	170-242 V
Expansion	Capillar	Net Weight	10,62 Kg	Type	RSIR
Comp. Cooling	Fan cooled	Oil type	ISO VG 32 ESTER	Phase number	1 PH
Max. ambient temp.	43,0 °C	Oil charge	400 cm ³	Locked Rotor Amps (LRA)	15,60 A
Compatible refriger.	R1234yf			Max. Cont. Current (MCC)	3,10 A
				Main W. resist. at 25°C	5,28 Ω
				Start W. resist. at 25°C	33,32 Ω

NOMINAL PERFORMANCE

	ASHRAE	CECOMAF
Cooling Capacity	270 kCal/h	228 W
COP	1,08 W/W	0,83 W/W
EER	0,93 kCal/Wh	0,71 kCal/Wh
Input Power	290 W	277 W
Current	2,40 A	2,37 A

APPROVALS

TEST CYCLE CONDITIONS

	ASHRAE LBP (B)	CECOMAF LBP (A)
Evaporating temp. (T _e)	-23,3 °C	-25,0 °C
Condensing temp. (T _c)	55,0 °C	55,0 °C
Liquid temp. (T _{liq.})	32,0 °C	55,0 °C
Ambient temp. (T _{amb.})	32,0 °C	32,0 °C
Suction temp. (T _{suction})	32,0 °C	32,0 °C
Voltage/Frequency	220 V 50 Hz	220 V 50 Hz

ELECTRICAL COMPONENTS

Relay	Option 1			
Reference	2014 149.			
Pick-Up	7,80 A			
Drop-Out	6,65 A			
Protector	Option 1			
Reference	T0269			
Current	9,60 A			
Time check	7,5-14 seg			
Disc temp. (Open/Close)	105,00 / 52,00 °C			

Technical Data Sheet

ASHRAE

Tc °C	Te °C	Cooling Capacity kCal/h	Consumption W	Current A	COP W/W	EER kCal/Wh
40	-35	145	206	2,30	0,82	0,70
40	-30	213	236	2,32	1,05	0,90
40	-25	294	268	2,36	1,27	1,10
40	-23,3	324	279	2,38	1,35	1,16
40	-20	387	301	2,43	1,49	1,29
40	-15	492	335	2,53	1,71	1,47
40	-10	610	370	2,66	1,92	1,65

45	-35	132	204	2,30	0,75	0,65
45	-30	198	237	2,32	0,97	0,84
45	-25	276	271	2,36	1,19	1,02
45	-23,3	306	283	2,38	1,26	1,08
45	-20	367	306	2,44	1,40	1,20
45	-15	471	342	2,55	1,60	1,37
45	-10	587	380	2,70	1,80	1,54

50	-35	118	202	2,30	0,68	0,59
50	-30	183	237	2,32	0,89	0,77
50	-25	259	274	2,37	1,10	0,95
50	-23,3	288	286	2,39	1,17	1,01
50	-20	348	311	2,45	1,30	1,12
50	-15	450	350	2,58	1,49	1,28
50	-10	563	390	2,75	1,68	1,44

55	-35	105	200	2,30	0,61	0,53
55	-30	167	238	2,32	0,82	0,70
55	-25	242	277	2,37	1,02	0,87
55	-23,3	270	290	2,40	1,08	0,93
55	-20	329	317	2,47	1,21	1,04
55	-15	428	358	2,61	1,39	1,20
55	-10	540	400	2,80	1,57	1,35

60	-35	92	198	2,30	0,54	0,46
60	-30	152	238	2,32	0,74	0,64
60	-25	224	279	2,38	0,93	0,80
60	-23,3	252	294	2,41	1,00	0,86
60	-20	309	322	2,48	1,12	0,96
60	-15	407	365	2,64	1,30	1,11
60	-10	517	410	2,85	1,47	1,26

65	-35	78	196	2,30	0,46	0,40
65	-30	137	238	2,32	0,67	0,57
65	-25	207	282	2,38	0,85	0,73
65	-23,3	234	297	2,42	0,92	0,79
65	-20	290	327	2,50	1,03	0,89
65	-15	386	373	2,67	1,20	1,03
65	-10	493	420	2,91	1,37	1,17

CECOMAF

Tc °C	Te °C	Cooling Capacity W	Consumption W	Current A	COP W/W	EER kCal/Wh
40	-35	158	206	2,30	0,77	0,66
40	-30	236	236	2,32	1,00	0,86
40	-25	326	268	2,36	1,21	1,05
40	-23,3	359	279	2,38	1,29	1,11
40	-20	427	301	2,43	1,42	1,23
40	-15	540	335	2,53	1,61	1,39
40	-10	664	370	2,66	1,79	1,55

45	-35	138	204	2,30	0,68	0,59
45	-30	210	237	2,32	0,89	0,77
45	-25	293	271	2,36	1,08	0,94
45	-23,3	324	283	2,38	1,15	0,99
45	-20	388	306	2,44	1,27	1,10
45	-15	494	342	2,55	1,44	1,25
45	-10	612	380	2,70	1,61	1,39

50	-35	119	202	2,30	0,59	0,51
50	-30	184	237	2,32	0,78	0,67
50	-25	261	274	2,37	0,95	0,82
50	-23,3	290	286	2,39	1,01	0,87
50	-20	349	311	2,45	1,12	0,97
50	-15	449	350	2,58	1,28	1,11
50	-10	561	390	2,75	1,44	1,24

55	-35	99	200	2,30	0,50	0,43
55	-30	158	238	2,32	0,67	0,57
55	-25	228	277	2,37	0,83	0,71
55	-23,3	255	290	2,40	0,88	0,76
55	-20	310	317	2,47	0,98	0,85
55	-15	404	358	2,61	1,13	0,98
55	-10	509	400	2,80	1,27	1,10

60	-35	80	198	2,30	0,40	0,35
60	-30	132	238	2,32	0,55	0,48
60	-25	196	279	2,38	0,70	0,61
60	-23,3	220	294	2,41	0,75	0,65
60	-20	272	322	2,48	0,84	0,73
60	-15	359	365	2,64	0,98	0,85
60	-10	457	410	2,85	1,12	0,96

65	-35	60	196	2,30	0,31	0,27
65	-30	106	238	2,32	0,45	0,38
65	-25	164	282	2,38	0,58	0,50
65	-23,3	186	297	2,42	0,63	0,54
65	-20	233	327	2,50	0,71	0,62
65	-15	314	373	2,67	0,84	0,73
65	-10	406	420	2,91	0,97	0,83

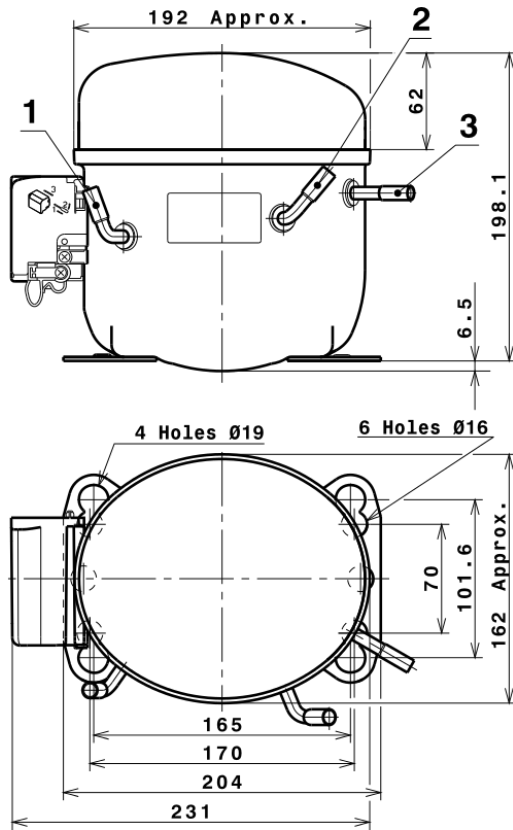
EN12900

X	Cooling Capacity (W)	Consumption (W)	Current (A)	Mass Flow (kg/h)
1	1.457,3890875705	333,7380311951	2,6174890708	26,390998265608
2	40,6743798839	3,9306888414	0,0409052517	0,80326530502418
3	-13,1321561097	3,0303497845	0,0140133153	-0,13077185998061
4	0,2265916648	0,0249875194	0,0009125974	0,0062174514587995
5	-0,2636487147	0,0982557407	0,0004022569	-0,0019519515696184

Equation	$x_1 + x_2Te + x_3Tc + x_4Te^2 + x_5TeTc$
----------	---

Technical Data Sheet

COMPRESSOR DIMENSIONS

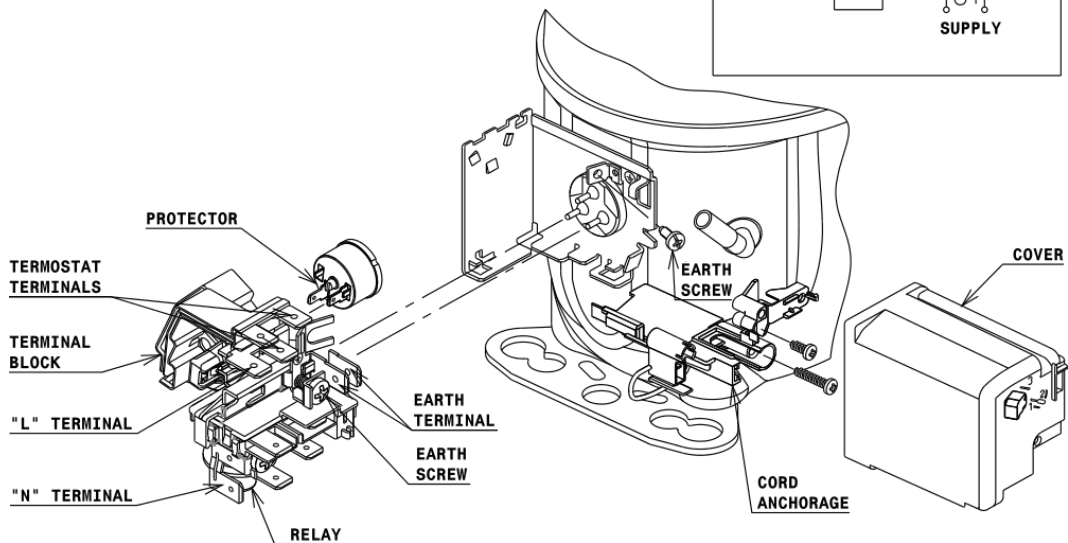
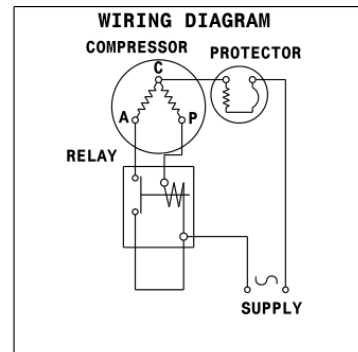


DESIGNATION INTERNAL DIAM.

DESIGNATION	INTERNAL DIAM.
1 Suction	8,1 mm
2 Service	8,1 mm
3 Discharge	6,5 mm

WIRING DIAGRAMS AND ELECTRICAL ASSEMBLY

RSIR CONNECTION (RELAY) (L, P ranges)



Technical Data Sheet

FIXINGS



SILENT BLOCKS (MOUNTING ACCESSORIES)

STANDARD

Ø16 holes (170x70 net)



AMERICAN FEET

Ø19 holes (165x101.6 net)



SNAP-ON

Ø16 holes (170x70 net)



SOA

SOA R134a LBP

