

Technical Data Sheet

Compressor model **GLY90AAb**
 Voltage **220-240V 50Hz ~1**
 Refrigerant **R134a**

APPLICATION

Application Low Back Pressure
 Refrigerant R134a
 Evaporating Temp. -35,0 °C to -10,0 °C
 Expansion Capillar
 Comp. Cooling Static
 Max. ambient temp. 43,0 °C
 Compatible refriger. R1234yf

COMPRESSOR

Displacement 9,09 cm³
 Diameter 24,29 mm
 Stroke 19,62 mm
 Net Weight 9,54 Kg
 Oil type ISO VG 32 ESTER
 Oil charge 300 cm³

MOTOR

Nominal Power 1/4 hp
 Voltage/Frequency 220-240V 50Hz
 Voltage range 198-255 V
 Type RSCR
 Phase number 1 PH
 Locked Rotor Amps (LRA) 14,50 A
 Max. Cont. Current (MCC) 1,70 A
 Main W. resist. at 25°C 11,36 Ω
 Start W. resist. at 25°C 15,70 Ω

NOMINAL PERFORMANCE

	ASHRAE	CECOMAF
Cooling Capacity	217 kCal/h	187 W
COP	1,45 W/W	1,13 W/W
EER	1,25 kCal/Wh	0,97 kCal/Wh
Input Power	174 W	166 W
Current	1,00 A	0,96 A

APPROVALS



TEST CYCLE CONDITIONS

	ASHRAE LBP (B)	CECOMAF LBP (A)
Evaporating temp. (T _e)	-23,3 °C	-25,0 °C
Condensing temp. (T _c)	55,0 °C	55,0 °C
Liquid temp. (T _{liq.})	32,0 °C	55,0 °C
Ambient temp. (T _{amb.})	32,0 °C	32,0 °C
Suction temp. (T _{suction})	32,0 °C	32,0 °C
Voltage/Frequency	220 V 50 Hz	220 V 50 Hz

ELECTRICAL COMPONENTS

Run capacitor	5 µF 400 V			
Relay	Option 1			
Reference	PTC K100			
Voltage	200-240 V			
Resistance	14.00 Ω			
Protector	Option 1	Option 2	Option 3	Option 4
Reference	MRA38085	4TM308NFBYY	T0377	AE11FQ
Current	10,90 A	11,00 A	12,00 A	10,80 A
Time check	7,5-14 seg	5-15 seg	7,5-14 seg	7,5-14 seg
Disc temp. (Open/Close)	125,00 / 61,00 °C	120,00 / 61,00 °C	120,00 / 62,00 °C	125,00 / 62,00 °C

ASHRAE

Tc °C	Te °C	Cooling Capacity kCal/h	Consumption W	Current A	COP W/W	EER kCal/Wh
40	-35	133	122	0,70	1,27	1,09
40	-30	173	142	0,83	1,42	1,22
40	-25	224	163	0,94	1,60	1,38
40	-23,3	244	170	0,98	1,67	1,43
40	-20	286	184	1,05	1,80	1,55
40	-15	359	207	1,13	2,01	1,73
40	-10	443	231	1,20	2,23	1,92

45	-35	125	121	0,69	1,20	1,04
45	-30	165	142	0,83	1,35	1,16
45	-25	215	164	0,95	1,53	1,31
45	-23,3	235	171	0,99	1,59	1,37
45	-20	277	186	1,06	1,73	1,48
45	-15	349	210	1,14	1,93	1,66
45	-10	433	235	1,21	2,14	1,84

50	-35	118	120	0,69	1,14	0,98
50	-30	157	142	0,83	1,28	1,10
50	-25	206	165	0,95	1,46	1,25
50	-23,3	226	173	0,99	1,52	1,31
50	-20	267	188	1,06	1,65	1,42
50	-15	339	213	1,15	1,85	1,59
50	-10	422	239	1,22	2,06	1,77

55	-35	110	119	0,68	1,08	0,92
55	-30	148	142	0,83	1,22	1,05
55	-25	198	166	0,96	1,39	1,19
55	-23,3	217	174	1,00	1,45	1,25
55	-20	258	190	1,07	1,58	1,36
55	-15	330	216	1,16	1,77	1,52
55	-10	412	243	1,23	1,97	1,70

60	-35	102	118	0,67	1,01	0,87
60	-30	140	142	0,83	1,15	0,99
60	-25	189	167	0,96	1,32	1,13
60	-23,3	208	175	1,01	1,38	1,19
60	-20	249	192	1,08	1,50	1,29
60	-15	320	219	1,17	1,70	1,46
60	-10	402	247	1,24	1,89	1,63

65	-35	95	117	0,67	0,94	0,81
65	-30	132	142	0,83	1,08	0,93
65	-25	180	168	0,97	1,25	1,07
65	-23,3	199	177	1,01	1,31	1,13
65	-20	240	194	1,09	1,43	1,23
65	-15	310	222	1,18	1,62	1,39
65	-10	391	251	1,24	1,81	1,56

CECOMAF

Tc °C	Te °C	Cooling Capacity W	Consumption W	Current A	COP W/W	EER kCal/Wh
40	-35	145	122	0,70	1,19	1,03
40	-30	192	142	0,83	1,35	1,17
40	-25	249	163	0,94	1,53	1,32
40	-23,3	271	170	0,98	1,59	1,38
40	-20	316	184	1,05	1,71	1,48
40	-15	394	207	1,13	1,90	1,64
40	-10	482	231	1,20	2,09	1,80

45	-35	131	121	0,69	1,08	0,94
45	-30	175	142	0,83	1,23	1,06
45	-25	228	164	0,95	1,39	1,20
45	-23,3	249	171	0,99	1,45	1,25
45	-20	292	186	1,06	1,57	1,35
45	-15	366	210	1,14	1,74	1,51
45	-10	451	235	1,21	1,92	1,66

50	-35	118	120	0,69	0,98	0,85
50	-30	157	142	0,83	1,11	0,96
50	-25	207	165	0,95	1,26	1,09
50	-23,3	227	173	0,99	1,31	1,14
50	-20	268	188	1,06	1,42	1,23
50	-15	339	213	1,15	1,59	1,37
50	-10	420	239	1,22	1,76	1,52

55	-35	104	119	0,68	0,87	0,76
55	-30	140	142	0,83	0,99	0,85
55	-25	187	166	0,96	1,13	0,97
55	-23,3	205	174	1,00	1,18	1,02
55	-20	244	190	1,07	1,28	1,11
55	-15	311	216	1,16	1,44	1,24
55	-10	388	243	1,23	1,60	1,38

60	-35	90	118	0,67	0,77	0,66
60	-30	123	142	0,83	0,87	0,75
60	-25	166	167	0,96	1,00	0,86
60	-23,3	183	175	1,01	1,04	0,90
60	-20	219	192	1,08	1,14	0,99
60	-15	283	219	1,17	1,29	1,12
60	-10	357	247	1,24	1,45	1,25

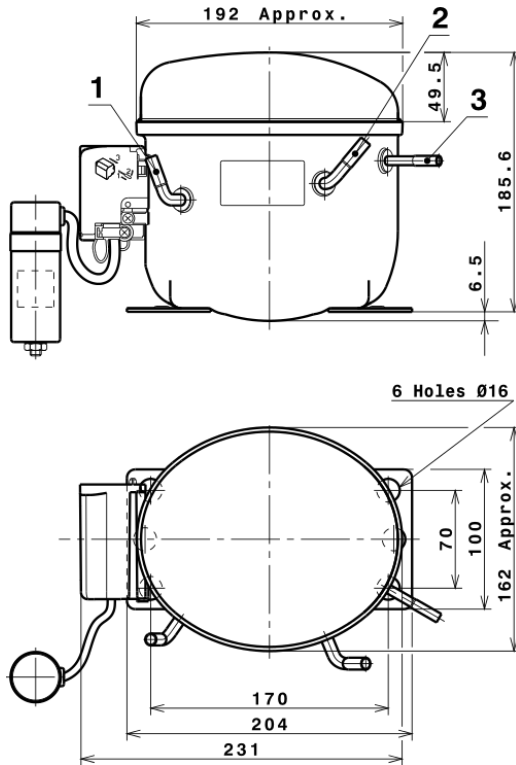
65	-35	77	117	0,67	0,66	0,57
65	-30	106	142	0,83	0,75	0,65
65	-25	145	168	0,97	0,87	0,75
65	-23,3	161	177	1,01	0,91	0,79
65	-20	195	194	1,09	1,00	0,87
65	-15	255	222	1,18	1,15	0,99
65	-10	326	251	1,24	1,30	1,12

EN12900

X	Cooling Capacity (W)	Consumption (W)	Current (A)	Mass Flow (kg/h)
1	993,0896110354	239,3977542520	1,1545587518	17,628235456606
2	28,2404632808	3,7716248232	-0,0040198231	0,56512617476761
3	-7,8738880421	1,2284839594	0,0028045203	-0,054650866808385
4	0,2019009324	0,0207383553	-0,0004259246	0,005470967046033
5	-0,1466380913	0,0409367008	0,0001195671	-0,00053519134090676

Equation	$x_1 + x_2Te + x_3Tc + x_4Te^2 + x_5TeTc$
----------	---

COMPRESSOR DIMENSIONS

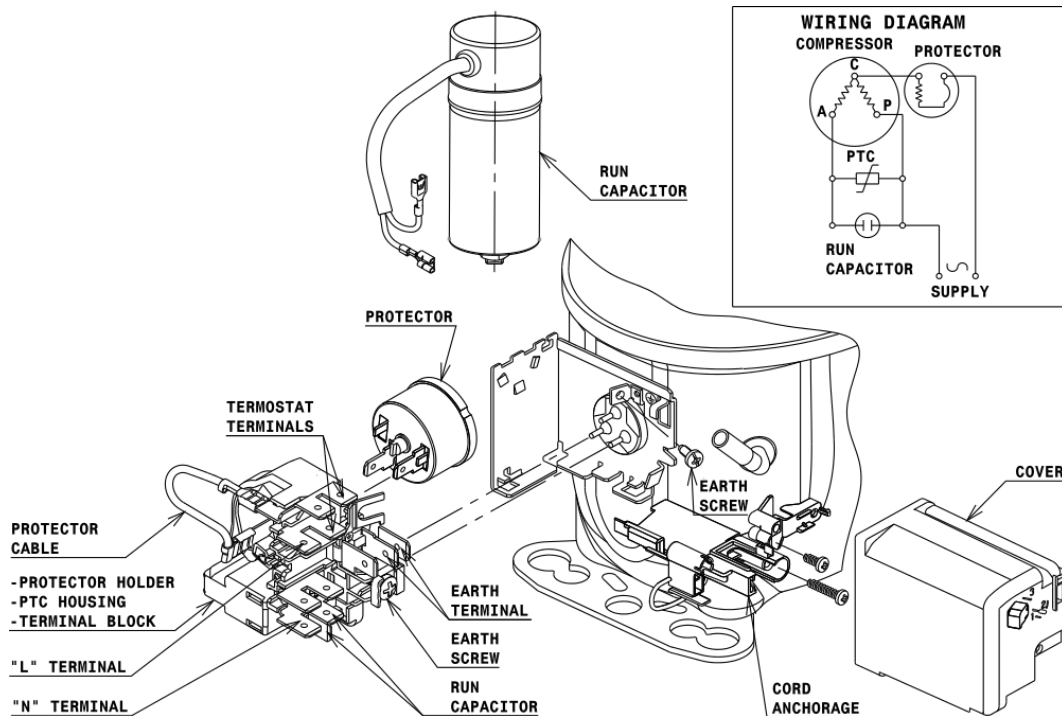


DESIGNATION INTERNAL DIAM.

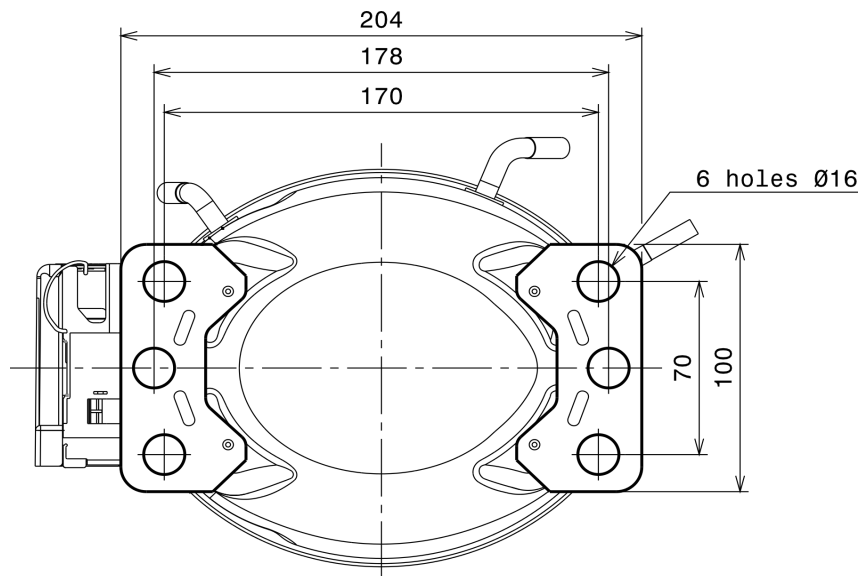
DESIGNATION	INTERNAL DIAM.
1 Suction	6,5 mm
2 Service	6,5 mm
3 Discharge	4,9 mm

WIRING DIAGRAMS AND ELECTRICAL ASSEMBLY

RSCR CONNECTION (L, P ranges)



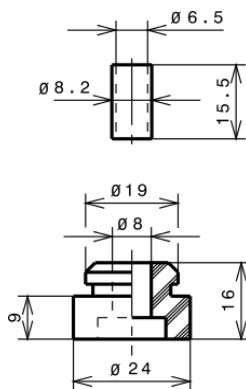
FIXINGS



SILENT BLOCKS (MOUNTING ACCESSORIES)

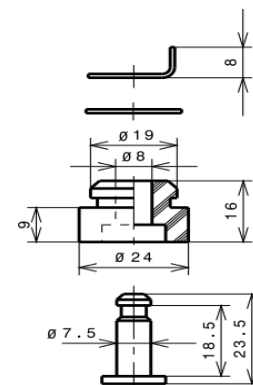
STANDARD

Ø16 holes (170x70 net)



SNAP-ON

Ø16 holes (170x70 net)



SOA

SOA R134a LBP

