

Technical Data Sheet

Compressor model **GLY80RAa**
 Voltage **220-240V 50Hz ~1**
 Refrigerant **R134a**

APPLICATION

COMPRESSOR

MOTOR

Application	High-Medium Back Pressure	Displacement	8,10 cm ³	Nominal Power	1/5 hp
Refrigerant	R134a	Diameter	24,29 mm	Voltage/Frequency	220-240V 50Hz
Evaporating Temp.	-25,0 °C to 10,0 °C	Stroke	17,47 mm	Voltage range	187-264 V
Expansion	Capillar/Valve	Net Weight	10,10 Kg	Type	CSIR
Comp. Cooling	Fan cooled	Oil type	ISO VG 32 ESTER	Phase number	1 PH
Max. ambient temp.	43,0 °C	Oil charge	300 cm ³	Locked Rotor Amps (LRA)	10,00 A
Compatible refriger.	R1234yf			Max. Cont. Current (MCC)	3,50 A
				Main W. resist. at 25°C	8,55 Ω
				Start W. resist. at 25°C	18,40 Ω

NOMINAL PERFORMANCE

	ASHRAE	CECOMAF
Cooling Capacity	700 kCal/h	680 W
COP	2,51 W/W	2,16 W/W
EER	2,15 kCal/Wh	1,86 kCal/Wh
Input Power	325 W	316 W
Current	1,92 A	1,88 A

APPROVALS



TEST CYCLE CONDITIONS

	ASHRAE HMBP (D)	CECOMAF HMBP (C)
Evaporating temp. (T _e)	7,2 °C	5,0 °C
Condensing temp. (T _c)	55,0 °C	55,0 °C
Liquid temp. (T _{liq.})	46,0 °C	55,0 °C
Ambient temp. (T _{amb.})	35,0 °C	32,0 °C
Suction temp. (T _{suction})	35,0 °C	32,0 °C
Voltage/Frequency	220 V 50 Hz	220 V 50 Hz

ELECTRICAL COMPONENTS

Starting capacitor	47- 56 µF 330 V			
Relay	Option 1			
Reference	2014 127.			
Pick-Up	4,80 A			
Drop-Out	4,10 A			
Protector	Option 1	Option 2		
Reference	MRA38144	T0289		
Current	9,50 A	9,50 A		
Time check	7,5-14 seg	7,5-14 seg		
Disc temp. (Open/Close)	105,00 / 52,00 °C	110,00 / 52,00 °C		

ASHRAE

Tc °C	Te °C	Cooling Capacity kCal/h	Consumption W	Current A	COP W/W	EER kCal/Wh
40	-25	188	158	1,38	1,38	1,19
40	-20	252	176	1,42	1,67	1,43
40	-15	329	194	1,47	1,97	1,70
40	-10	421	213	1,52	2,30	1,98
40	-5	526	232	1,58	2,64	2,27
40	0	645	251	1,64	2,98	2,57
40	5	777	271	1,71	3,33	2,87
40	7,2	840	280	1,74	3,49	3,00
40	10	924	291	1,78	3,69	3,17

45	-25	175	161	1,38	1,26	1,09
45	-20	234	181	1,43	1,50	1,29
45	-15	306	201	1,49	1,77	1,52
45	-10	392	221	1,55	2,06	1,77
45	-5	492	242	1,61	2,36	2,03
45	0	605	264	1,68	2,67	2,30
45	5	733	285	1,76	2,99	2,57
45	7,2	793	295	1,80	3,13	2,69
45	10	874	307	1,85	3,31	2,84

50	-25	163	165	1,39	1,15	0,99
50	-20	216	186	1,45	1,35	1,16
50	-15	283	208	1,51	1,58	1,36
50	-10	364	230	1,57	1,84	1,58
50	-5	458	253	1,65	2,11	1,81
50	0	566	276	1,73	2,39	2,05
50	5	689	300	1,82	2,67	2,30
50	7,2	747	310	1,86	2,80	2,41
50	10	824	323	1,91	2,96	2,55

55	-25	150	168	1,40	1,04	0,89
55	-20	198	191	1,46	1,20	1,03
55	-15	260	215	1,53	1,40	1,21
55	-10	335	239	1,60	1,63	1,40
55	-5	424	263	1,68	1,87	1,61
55	0	527	288	1,77	2,13	1,83
55	5	644	314	1,87	2,39	2,05
55	7,2	700	325	1,92	2,51	2,15
55	10	775	339	1,98	2,65	2,28

60	-25	137	171	1,41	0,93	0,80
60	-20	180	196	1,47	1,07	0,92
60	-15	236	222	1,55	1,24	1,07
60	-10	306	248	1,63	1,44	1,24
60	-5	390	274	1,72	1,66	1,42
60	0	488	301	1,82	1,89	1,62
60	5	600	328	1,93	2,13	1,83
60	7,2	653	340	1,98	2,23	1,92
60	10	725	355	2,05	2,37	2,04

65	-25	125	175	1,42	0,83	0,71
65	-20	162	202	1,49	0,93	0,80
65	-15	213	229	1,57	1,08	0,93
65	-10	278	257	1,66	1,26	1,08
65	-5	357	285	1,76	1,46	1,25
65	0	449	313	1,87	1,67	1,43
65	5	556	342	1,99	1,89	1,62
65	7,2	607	355	2,05	1,99	1,71
65	10	676	371	2,13	2,12	1,82

CECOMAF

Tc °C	Te °C	Cooling Capacity W	Consumption W	Current A	COP W/W	EER kCal/Wh
40	-25	203	159	1,38	1,28	1,10
40	-20	272	177	1,42	1,54	1,33
40	-15	356	195	1,47	1,82	1,58
40	-10	454	214	1,52	2,12	1,84
40	-5	567	233	1,58	2,43	2,10
40	0	695	253	1,65	2,75	2,38
40	5	837	273	1,72	3,07	2,65
40	7,2	904	282	1,75	3,21	2,77
40	10	993	293	1,79	3,39	2,93

45	-25	188	162	1,39	1,16	1,00
45	-20	251	182	1,43	1,38	1,19
45	-15	329	202	1,49	1,63	1,41
45	-10	421	223	1,55	1,89	1,63
45	-5	528	244	1,62	2,17	1,87
45	0	649	265	1,69	2,45	2,11
45	5	785	287	1,77	2,73	2,36
45	7,2	849	297	1,81	2,86	2,47
45	10	935	309	1,86	3,02	2,61

50	-25	173	166	1,39	1,05	0,90
50	-20	230	187	1,45	1,23	1,06
50	-15	302	209	1,51	1,44	1,25
50	-10	388	232	1,58	1,67	1,45
50	-5	488	254	1,65	1,92	1,66
50	0	603	278	1,73	2,17	1,88
50	5	733	301	1,82	2,43	2,10
50	7,2	794	312	1,87	2,55	2,20
50	10	877	326	1,92	2,69	2,33

55	-25	159	169	1,40	0,94	0,81
55	-20	209	192	1,46	1,09	0,94
55	-15	275	216	1,53	1,27	1,10
55	-10	354	240	1,60	1,47	1,27
55	-5	448	265	1,69	1,69	1,46
55	0	557	290	1,78	1,92	1,66
55	5	680	316	1,88	2,16	1,86
55	7,2	739	327	1,93	2,26	1,95
55	10	818	342	1,99	2,39	2,07

60	-25	144	172	1,41	0,84	0,72
60	-20	189	197	1,48	0,95	0,83
60	-15	247	223	1,55	1,11	0,96
60	-10	321	249	1,63	1,29	1,11
60	-5	409	276	1,73	1,48	1,28
60	0	511	303	1,83	1,69	1,46
60	5	628	330	1,94	1,90	1,65
60	7,2	684	342	1,99	2,00	1,73
60	10	760	358	2,06	2,12	1,83

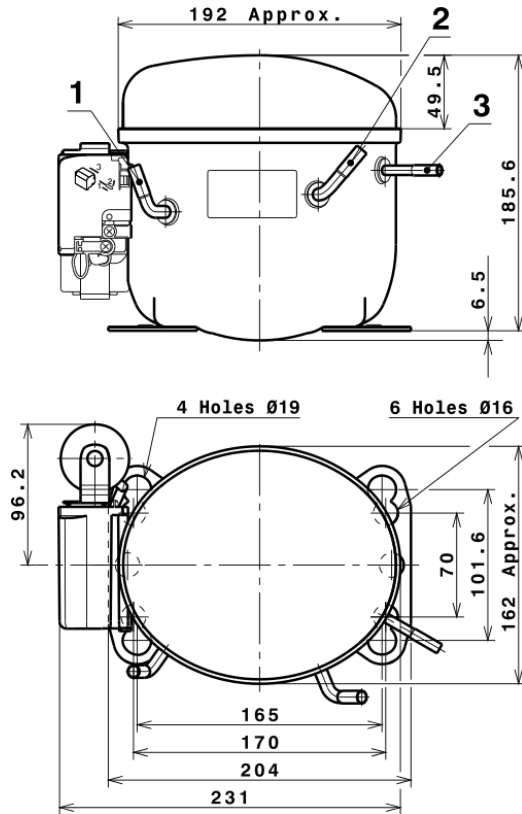
65	-25	130	176	1,42	0,74	0,64
65	-20	168	203	1,49	0,83	0,72
65	-15	220	230	1,57	0,96	0,83
65	-10	288	258	1,66	1,11	0,96
65	-5	369	286	1,77	1,29	1,11
65	0	465	315	1,88	1,48	1,28
65	5	576	344	2,00	1,67	1,45
65	7,2	630	357	2,06	1,76	1,52
65	10	701	374	2,14	1,88	1,62

EN12900

X	Cooling Capacity (W)	Consumption (W)	Current (A)	Mass Flow (kg/h)
1	1.065,7116925293	156,7937841132	1,2498370401	17,753129301368
2	37,0519024211	1,1392023116	0,0017633252	0,69600694020653
3	-9,4921999366	2,5631550168	0,0101954120	-0,062054073490063
4	0,2853439877	0,0106497793	0,0001840685	0,0082354888670844
5	-0,2609809471	0,0751211573	0,0003419767	-0,0013572170852452

Equation	$x_1 + x_2Te + x_3Tc + x_4Te^2 + x_5TeTc$
----------	---

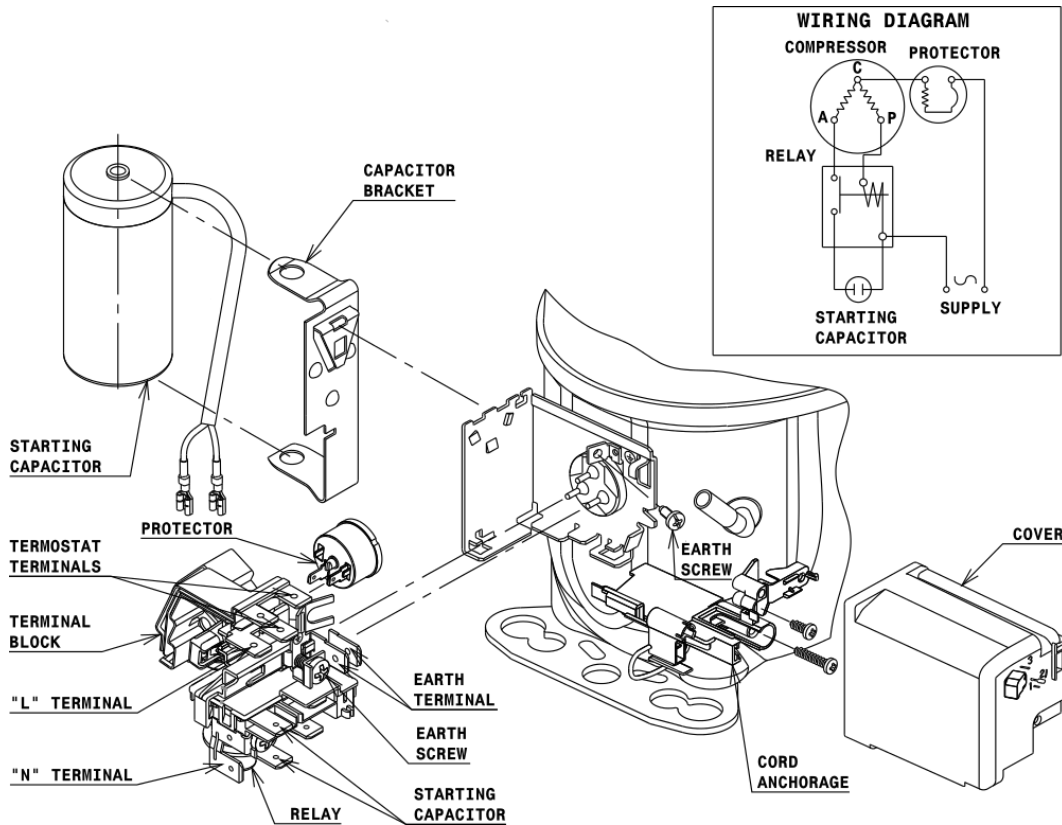
COMPRESSOR DIMENSIONS



DESIGNATION	INTERNAL DIAM.
1 Suction	6,5 mm
2 Service	6,5 mm
3 Discharge	4,9 mm

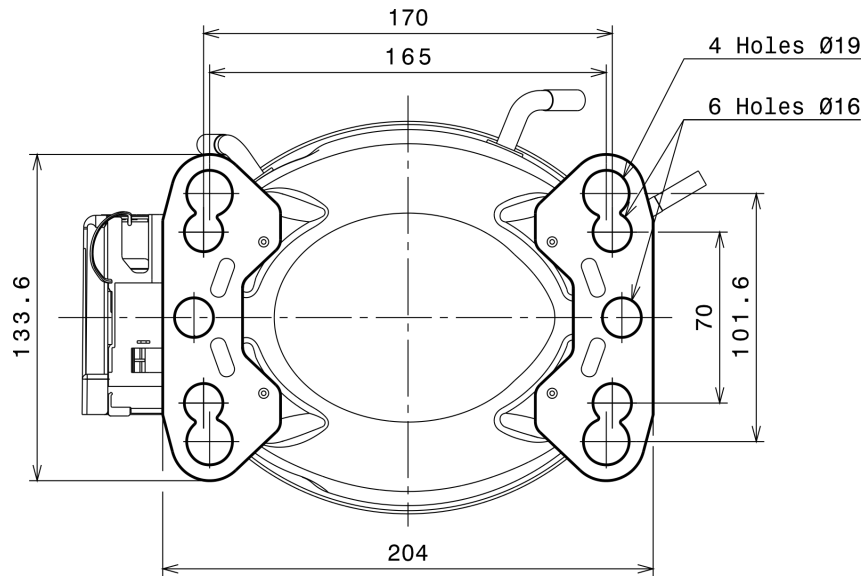
WIRING DIAGRAMS AND ELECTRICAL ASSEMBLY

CSIR CONNECTION (L, P ranges)



Technical Data Sheet

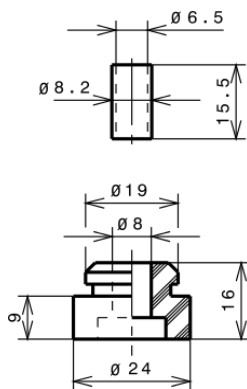
FIXINGS



SILENT BLOCKS (MOUNTING ACCESSORIES)

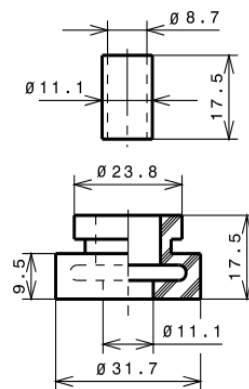
STANDARD

Ø16 holes (170x70 net)



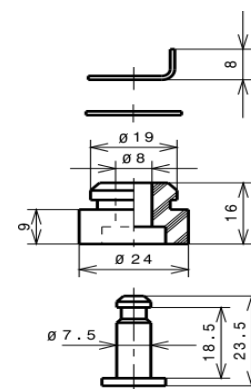
AMERICAN FEET

Ø19 holes (165x101.6 net)



SNAP-ON

Ø16 holes (170x70 net)



SOA

SOA R134a HMBP

