

Technical Data Sheet

Compressor model **GLY60AAa**
 Voltage **220-240V 50Hz ~1**
 Refrigerant **R134a**

APPLICATION

Application Low Back Pressure
 Refrigerant R134a
 Evaporating Temp. -35,0 °C to -10,0 °C
 Expansion Capillar
 Comp. Cooling Static
 Max. ambient temp. 43,0 °C
 Compatible refriger. R1234yf

COMPRESSOR

Displacement 5,98 cm³
 Diameter 20,88 mm
 Stroke 17,47 mm
 Net Weight 8,49 Kg
 Oil type ISO VG 32 ESTER
 Oil charge 215 cm³

MOTOR

Nominal Power 1/6 hp
 Voltage/Frequency 220-240V 50Hz
 Voltage range 187-255 V
 Type RSIR
 Phase number 1 PH
 Locked Rotor Amps (LRA) 5,00 A
 Max. Cont. Current (MCC) 1,30 A
 Main W. resist. at 25°C 21,69 Ω
 Start W. resist. at 25°C 25,00 Ω

NOMINAL PERFORMANCE

| | ASHRAE | CECOMAF |
|------------------|--------------|--------------|
| Cooling Capacity | 139 kCal/h | 119 W |
| COP | 1,34 W/W | 1,04 W/W |
| EER | 1,15 kCal/Wh | 0,89 kCal/Wh |
| Input Power | 121 W | 115 W |
| Current | 0,83 A | 0,81 A |

APPROVALS



TEST CYCLE CONDITIONS

| | ASHRAE LBP (B) | CECOMAF LBP (A) |
|---------------------------------------|-------------------|--------------------|
| Evaporating temp. (T _e) | -23,3 °C | -25,0 °C |
| Condensing temp. (T _c) | 55,0 °C | 55,0 °C |
| Liquid temp. (T _{liq.}) | 32,0 °C | 55,0 °C |
| Ambient temp. (T _{amb.}) | 32,0 °C | 32,0 °C |
| Suction temp. (T _{suction}) | 32,0 °C | 32,0 °C |
| Voltage/Frequency | 220 V 50 Hz | 220 V 50 Hz |

ELECTRICAL COMPONENTS

| | | | | |
|-------------------------|-------------------|-------------------|--|--|
| Relay | Option 1 | | | |
| Reference | PTC K100 | | | |
| Voltage | 200-240 V | | | |
| Resistance | 14.00 Ω | | | |
| Protector | Option 1 | Option 2 | | |
| Reference | T0530 | AE15BU | | |
| Current | 8,80 A | 8,00 A | | |
| Time check | 7,5-14 seg | 7,5-14 seg | | |
| Disc temp. (Open/Close) | 110,00 / 61,00 °C | 120,00 / 62,00 °C | | |

ASHRAE

| Tc °C | Te °C | Cooling Capacity kCal/h | Consumption W | Current A | COP W/W | EER kCal/Wh |
|----------|----------|-------------------------------|------------------|--------------|------------|----------------|
| 40 | -35 | 79 | 84 | 0,74 | 1,09 | 0,94 |
| 40 | -30 | 110 | 99 | 0,77 | 1,30 | 1,12 |
| 40 | -25 | 148 | 114 | 0,81 | 1,51 | 1,30 |
| 40 | -23,3 | 162 | 119 | 0,82 | 1,59 | 1,37 |
| 40 | -20 | 192 | 129 | 0,86 | 1,74 | 1,49 |
| 40 | -15 | 242 | 144 | 0,91 | 1,96 | 1,69 |
| 40 | -10 | 299 | 159 | 0,98 | 2,19 | 1,88 |

| | | | | | | |
|----|-------|-----|-----|------|------|------|
| 45 | -35 | 73 | 82 | 0,74 | 1,04 | 0,89 |
| 45 | -30 | 104 | 98 | 0,77 | 1,23 | 1,06 |
| 45 | -25 | 140 | 114 | 0,81 | 1,43 | 1,23 |
| 45 | -23,3 | 154 | 119 | 0,82 | 1,50 | 1,29 |
| 45 | -20 | 184 | 130 | 0,86 | 1,64 | 1,41 |
| 45 | -15 | 233 | 147 | 0,93 | 1,85 | 1,59 |
| 45 | -10 | 289 | 163 | 1,00 | 2,06 | 1,77 |

| | | | | | | |
|----|-------|-----|-----|------|------|------|
| 50 | -35 | 67 | 79 | 0,73 | 0,98 | 0,84 |
| 50 | -30 | 97 | 97 | 0,76 | 1,16 | 1,00 |
| 50 | -25 | 133 | 114 | 0,81 | 1,35 | 1,16 |
| 50 | -23,3 | 147 | 120 | 0,83 | 1,42 | 1,22 |
| 50 | -20 | 176 | 132 | 0,87 | 1,55 | 1,33 |
| 50 | -15 | 224 | 150 | 0,94 | 1,74 | 1,50 |
| 50 | -10 | 280 | 168 | 1,03 | 1,94 | 1,67 |

| | | | | | | |
|----|-------|-----|-----|------|------|------|
| 55 | -35 | 61 | 77 | 0,73 | 0,92 | 0,79 |
| 55 | -30 | 90 | 96 | 0,76 | 1,09 | 0,94 |
| 55 | -25 | 126 | 115 | 0,81 | 1,27 | 1,10 |
| 55 | -23,3 | 139 | 121 | 0,83 | 1,34 | 1,15 |
| 55 | -20 | 167 | 134 | 0,87 | 1,46 | 1,25 |
| 55 | -15 | 215 | 153 | 0,95 | 1,64 | 1,41 |
| 55 | -10 | 270 | 172 | 1,05 | 1,83 | 1,57 |

| | | | | | | |
|----|-------|-----|-----|------|------|------|
| 60 | -35 | 55 | 75 | 0,73 | 0,86 | 0,74 |
| 60 | -30 | 83 | 95 | 0,76 | 1,02 | 0,88 |
| 60 | -25 | 118 | 115 | 0,81 | 1,19 | 1,03 |
| 60 | -23,3 | 131 | 122 | 0,83 | 1,25 | 1,08 |
| 60 | -20 | 159 | 135 | 0,88 | 1,37 | 1,18 |
| 60 | -15 | 207 | 156 | 0,97 | 1,54 | 1,33 |
| 60 | -10 | 260 | 176 | 1,07 | 1,72 | 1,48 |

| | | | | | | |
|----|-------|-----|-----|------|------|------|
| 65 | -35 | 49 | 72 | 0,72 | 0,79 | 0,68 |
| 65 | -30 | 77 | 94 | 0,76 | 0,95 | 0,82 |
| 65 | -25 | 111 | 115 | 0,81 | 1,12 | 0,96 |
| 65 | -23,3 | 124 | 123 | 0,84 | 1,17 | 1,01 |
| 65 | -20 | 151 | 137 | 0,89 | 1,28 | 1,10 |
| 65 | -15 | 198 | 159 | 0,98 | 1,45 | 1,25 |
| 65 | -10 | 251 | 181 | 1,10 | 1,61 | 1,39 |

CECOMAF

| Tc °C | Te °C | Cooling Capacity W | Consumption W | Current A | COP W/W | EER kCal/Wh |
|----------|----------|--------------------------|------------------|--------------|------------|----------------|
| 40 | -35 | 86 | 84 | 0,74 | 1,02 | 0,89 |
| 40 | -30 | 122 | 99 | 0,77 | 1,24 | 1,07 |
| 40 | -25 | 164 | 114 | 0,81 | 1,44 | 1,25 |
| 40 | -23,3 | 180 | 119 | 0,82 | 1,51 | 1,31 |
| 40 | -20 | 212 | 129 | 0,86 | 1,65 | 1,42 |
| 40 | -15 | 266 | 144 | 0,91 | 1,85 | 1,60 |
| 40 | -10 | 325 | 159 | 0,98 | 2,05 | 1,77 |

| | | | | | | |
|----|-------|-----|-----|------|------|------|
| 45 | -35 | 77 | 82 | 0,74 | 0,94 | 0,81 |
| 45 | -30 | 110 | 98 | 0,77 | 1,12 | 0,97 |
| 45 | -25 | 149 | 114 | 0,81 | 1,31 | 1,13 |
| 45 | -23,3 | 163 | 119 | 0,82 | 1,37 | 1,18 |
| 45 | -20 | 194 | 130 | 0,86 | 1,49 | 1,29 |
| 45 | -15 | 245 | 147 | 0,93 | 1,67 | 1,44 |
| 45 | -10 | 302 | 163 | 1,00 | 1,85 | 1,60 |

| | | | | | | |
|----|-------|-----|-----|------|------|------|
| 50 | -35 | 67 | 79 | 0,73 | 0,85 | 0,73 |
| 50 | -30 | 97 | 97 | 0,76 | 1,01 | 0,87 |
| 50 | -25 | 134 | 114 | 0,81 | 1,17 | 1,01 |
| 50 | -23,3 | 147 | 120 | 0,83 | 1,23 | 1,06 |
| 50 | -20 | 176 | 132 | 0,87 | 1,33 | 1,15 |
| 50 | -15 | 224 | 150 | 0,94 | 1,50 | 1,29 |
| 50 | -10 | 278 | 168 | 1,03 | 1,66 | 1,43 |

| | | | | | | |
|----|-------|-----|-----|------|------|------|
| 55 | -35 | 58 | 77 | 0,73 | 0,75 | 0,65 |
| 55 | -30 | 85 | 96 | 0,76 | 0,89 | 0,77 |
| 55 | -25 | 119 | 115 | 0,81 | 1,04 | 0,89 |
| 55 | -23,3 | 131 | 121 | 0,83 | 1,09 | 0,94 |
| 55 | -20 | 158 | 134 | 0,87 | 1,18 | 1,02 |
| 55 | -15 | 203 | 153 | 0,95 | 1,33 | 1,15 |
| 55 | -10 | 255 | 172 | 1,05 | 1,48 | 1,28 |

| | | | | | | |
|----|-------|-----|-----|------|------|------|
| 60 | -35 | 48 | 75 | 0,73 | 0,65 | 0,56 |
| 60 | -30 | 73 | 95 | 0,76 | 0,77 | 0,66 |
| 60 | -25 | 103 | 115 | 0,81 | 0,90 | 0,78 |
| 60 | -23,3 | 115 | 122 | 0,83 | 0,95 | 0,82 |
| 60 | -20 | 140 | 135 | 0,88 | 1,04 | 0,89 |
| 60 | -15 | 182 | 156 | 0,97 | 1,17 | 1,01 |
| 60 | -10 | 231 | 176 | 1,07 | 1,31 | 1,13 |

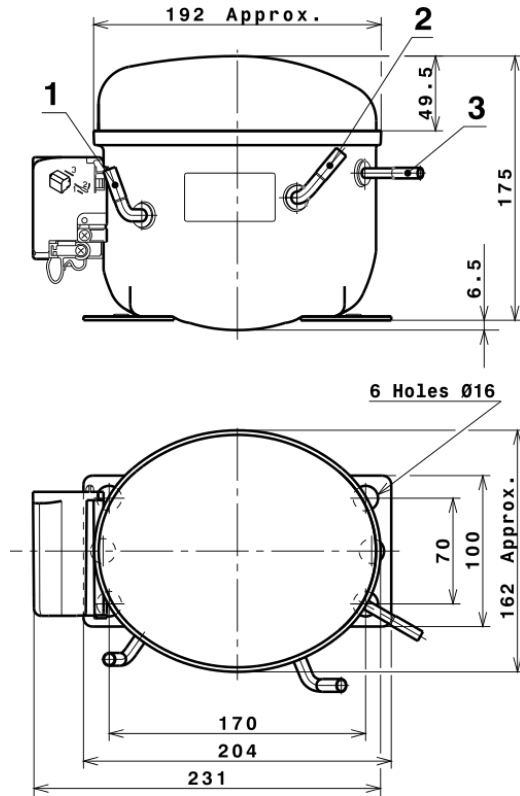
| | | | | | | |
|----|-------|-----|-----|------|------|------|
| 65 | -35 | 39 | 72 | 0,72 | 0,54 | 0,46 |
| 65 | -30 | 61 | 94 | 0,76 | 0,65 | 0,56 |
| 65 | -25 | 88 | 115 | 0,81 | 0,77 | 0,66 |
| 65 | -23,3 | 99 | 123 | 0,84 | 0,81 | 0,70 |
| 65 | -20 | 122 | 137 | 0,89 | 0,89 | 0,77 |
| 65 | -15 | 162 | 159 | 0,98 | 1,02 | 0,88 |
| 65 | -10 | 207 | 181 | 1,10 | 1,15 | 0,99 |

EN12900

| X | Cooling Capacity (W) | Consumption (W) | Current (A) | Mass Flow (kg/h) |
|---|----------------------|-----------------|--------------|----------------------|
| 1 | 694,9245997592 | 137,5441421206 | 0,9488175468 | 12,47711318145 |
| 2 | 19,3480127485 | 1,0601905318 | 0,0168753068 | 0,3829461524243 |
| 3 | -5,9892259202 | 1,4330079078 | 0,0068803782 | -0,053295059536265 |
| 4 | 0,1163970725 | 0,0036218932 | 0,0003385887 | 0,0031836085951904 |
| 5 | -0,1169901404 | 0,0545631211 | 0,0002177231 | -0,00071967540103575 |

| | |
|----------|---|
| Equation | $x_1 + x_2Te + x_3Tc + x_4Te^2 + x_5TeTc$ |
|----------|---|

COMPRESSOR DIMENSIONS

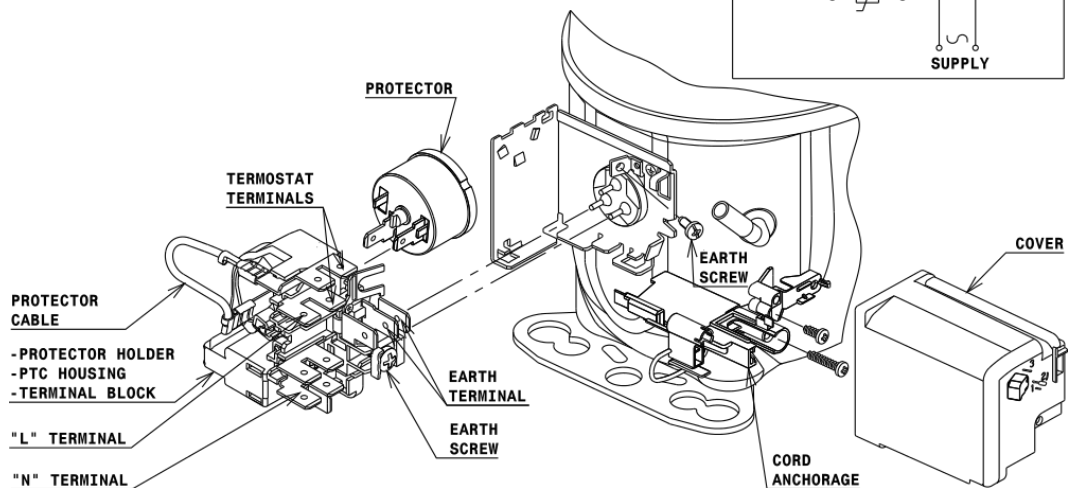
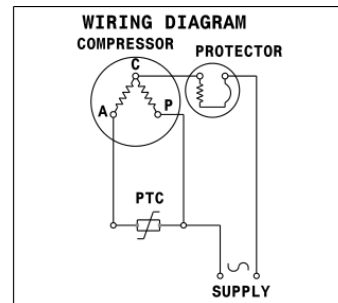


DESIGNATION INTERNAL DIAM.

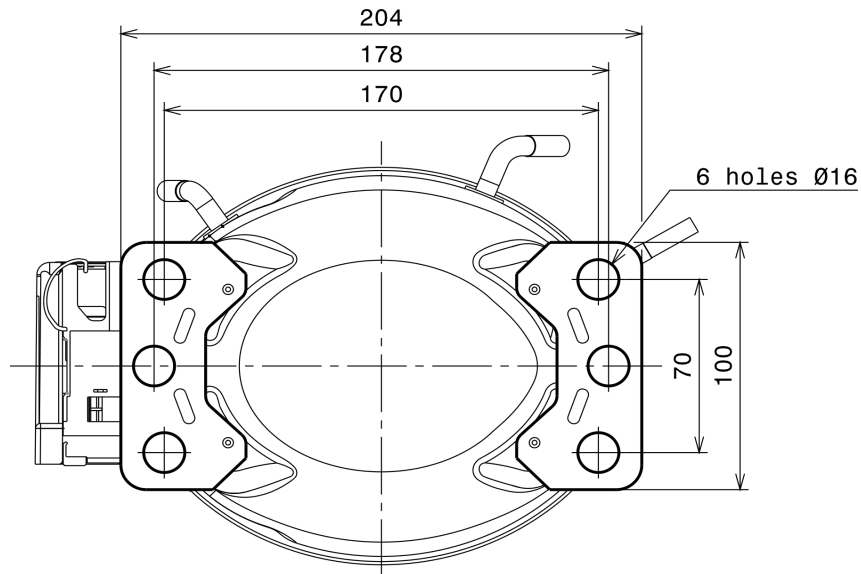
| DESIGNATION | INTERNAL DIAM. |
|-------------|----------------|
| 1 Suction | 6,5 mm |
| 2 Service | 6,5 mm |
| 3 Discharge | 4,9 mm |

WIRING DIAGRAMS AND ELECTRICAL ASSEMBLY

RSIR CONNECTION (PTC) (L, P ranges)



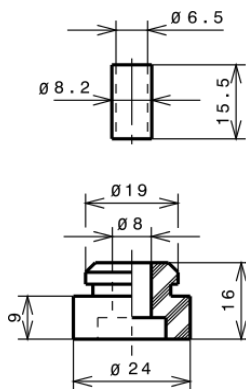
FIXINGS



SILENT BLOCKS (MOUNTING ACCESSORIES)

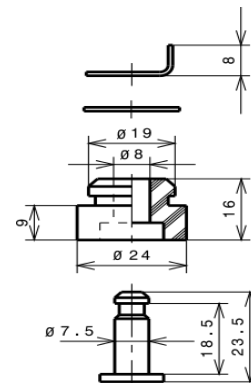
STANDARD

Ø16 holes (170x70 net)



SNAP-ON

Ø16 holes (170x70 net)



SOA

SOA R134a LBP

