

Technical Data Sheet

Compressor model **GLY45RAa**
 Voltage **220-240V 50Hz ~1**
 Refrigerant **R134a**

APPLICATION

COMPRESSOR

MOTOR

Application	High-Medium Back Pressure	Displacement	4,56 cm ³	Nominal Power	1/6 hp
Refrigerant	R134a	Diameter	19,09 mm	Voltage/Frequency	220-240V 50Hz
Evaporating Temp.	-25,0 °C to 10,0 °C	Stroke	15,93 mm	Voltage range	187-264 V
Expansion	Capillar/Valve	Net Weight	8,75 Kg	Type	CSIR
Comp. Cooling	Fan cooled	Oil type	ISO VG 32 ESTER	Phase number	1 PH
Max. ambient temp.	43,0 °C	Oil charge	250 cm ³	Locked Rotor Amps (LRA)	8,50 A
Compatible refriger.	R1234yf			Max. Cont. Current (MCC)	1,75 A
				Main W. resist. at 25°C	16,50 Ω
				Start W. resist. at 25°C	20,85 Ω

NOMINAL PERFORMANCE

	ASHRAE	CECOMAF
Cooling Capacity	385 kCal/h	373 W
COP	2,25 W/W	1,93 W/W
EER	1,93 kCal/Wh	1,67 kCal/Wh
Input Power	199 W	193 W
Current	1,24 A	1,22 A

APPROVALS



TEST CYCLE CONDITIONS

	ASHRAE HMBP (D)	CECOMAF HMBP (C)
Evaporating temp. (T _e)	7,2 °C	5,0 °C
Condensing temp. (T _c)	55,0 °C	55,0 °C
Liquid temp. (T _{liq.})	46,0 °C	55,0 °C
Ambient temp. (T _{amb.})	35,0 °C	32,0 °C
Suction temp. (T _{suction})	35,0 °C	32,0 °C
Voltage/Frequency	220 V 50 Hz	220 V 50 Hz

ELECTRICAL COMPONENTS

Starting capacitor	47- 56 µF 330 V			
Relay	Option 1			
Reference	2014 108.			
Pick-Up	2,70 A			
Drop-Out	2,30 A			
Protector	Option 1	Option 2		
Reference	MRT77AMK	T0068		
Current	5,80 A	5,80 A		
Time check	7,5-14 seg	7,5-14 seg		
Disc temp. (Open/Close)	105,00 / 61,00 °C	105,00 / 62,00 °C		

ASHRAE

Tc °C	Te °C	Cooling Capacity kCal/h	Consumption W	Current A	COP W/W	EER kCal/Wh
40	-25	84	93	0,95	1,05	0,90
40	-20	122	104	0,97	1,36	1,17
40	-15	167	115	0,99	1,69	1,45
40	-10	220	126	1,02	2,02	1,74
40	-5	281	138	1,05	2,36	2,03
40	0	349	151	1,08	2,70	2,32
40	5	426	163	1,12	3,03	2,61
40	7,2	462	169	1,14	3,18	2,73
40	10	510	176	1,16	3,36	2,89

45	-25	78	95	0,95	0,96	0,83
45	-20	113	107	0,98	1,23	1,06
45	-15	155	119	1,00	1,51	1,30
45	-10	205	132	1,03	1,81	1,55
45	-5	263	145	1,07	2,11	1,81
45	0	328	159	1,10	2,41	2,07
45	5	402	173	1,15	2,70	2,33
45	7,2	436	179	1,17	2,84	2,44
45	10	483	187	1,20	3,00	2,58

50	-25	73	96	0,96	0,88	0,75
50	-20	104	110	0,98	1,10	0,95
50	-15	143	123	1,01	1,35	1,16
50	-10	190	137	1,05	1,61	1,38
50	-5	245	152	1,08	1,87	1,61
50	0	307	167	1,13	2,14	1,84
50	5	377	182	1,18	2,41	2,07
50	7,2	411	189	1,20	2,53	2,17
50	10	455	198	1,24	2,68	2,30

55	-25	67	98	0,96	0,80	0,68
55	-20	95	113	0,99	0,98	0,85
55	-15	131	128	1,02	1,20	1,03
55	-10	175	143	1,06	1,42	1,22
55	-5	227	159	1,10	1,66	1,43
55	0	286	175	1,16	1,90	1,63
55	5	353	192	1,21	2,14	1,84
55	7,2	385	199	1,24	2,25	1,93
55	10	428	209	1,28	2,39	2,05

60	-25	61	100	0,96	0,72	0,62
60	-20	86	116	0,99	0,87	0,75
60	-15	119	132	1,03	1,05	0,91
60	-10	160	149	1,08	1,25	1,08
60	-5	208	166	1,13	1,46	1,26
60	0	265	183	1,18	1,68	1,45
60	5	329	201	1,25	1,90	1,64
60	7,2	359	209	1,28	2,00	1,72
60	10	400	219	1,32	2,12	1,83

65	-25	56	101	0,97	0,64	0,55
65	-20	78	119	1,00	0,76	0,66
65	-15	107	136	1,04	0,92	0,79
65	-10	145	154	1,09	1,09	0,94
65	-5	190	172	1,15	1,28	1,10
65	0	244	191	1,21	1,48	1,27
65	5	304	210	1,28	1,68	1,45
65	7,2	334	219	1,32	1,77	1,52
65	10	373	230	1,37	1,89	1,62

CECOMAF

Tc °C	Te °C	Cooling Capacity W	Consumption W	Current A	COP W/W	EER kCal/Wh
40	-25	90	93	0,95	0,97	0,84
40	-20	131	104	0,97	1,26	1,09
40	-15	180	115	0,99	1,56	1,35
40	-10	238	127	1,02	1,87	1,62
40	-5	303	139	1,05	2,18	1,88
40	0	377	151	1,08	2,49	2,15
40	5	459	164	1,12	2,79	2,41
40	7,2	497	170	1,14	2,92	2,53
40	10	549	178	1,16	3,09	2,67

45	-25	84	95	0,96	0,88	0,76
45	-20	121	107	0,98	1,13	0,98
45	-15	167	120	1,00	1,39	1,20
45	-10	220	133	1,03	1,66	1,43
45	-5	282	146	1,07	1,93	1,67
45	0	352	160	1,11	2,20	1,90
45	5	430	174	1,15	2,47	2,14
45	7,2	467	180	1,17	2,59	2,24
45	10	516	188	1,20	2,74	2,37

50	-25	77	97	0,96	0,80	0,69
50	-20	111	110	0,98	1,01	0,87
50	-15	153	124	1,01	1,23	1,06
50	-10	203	138	1,05	1,47	1,27
50	-5	261	153	1,09	1,71	1,47
50	0	327	168	1,13	1,95	1,68
50	5	401	183	1,18	2,19	1,89
50	7,2	437	190	1,21	2,30	1,98
50	10	484	199	1,24	2,43	2,10

55	-25	71	99	0,96	0,72	0,62
55	-20	101	113	0,99	0,89	0,77
55	-15	139	128	1,02	1,08	0,93
55	-10	185	144	1,06	1,29	1,11
55	-5	239	160	1,11	1,50	1,30
55	0	302	176	1,16	1,72	1,48
55	5	373	193	1,22	1,93	1,67
55	7,2	407	200	1,24	2,03	1,75
55	10	452	210	1,28	2,15	1,86

60	-25	64	100	0,96	0,64	0,56
60	-20	91	116	1,00	0,78	0,67
60	-15	125	133	1,03	0,94	0,81
60	-10	168	149	1,08	1,12	0,97
60	-5	218	167	1,13	1,31	1,13
60	0	277	184	1,19	1,50	1,30
60	5	344	202	1,25	1,70	1,47
60	7,2	376	210	1,28	1,79	1,55
60	10	420	221	1,33	1,90	1,64

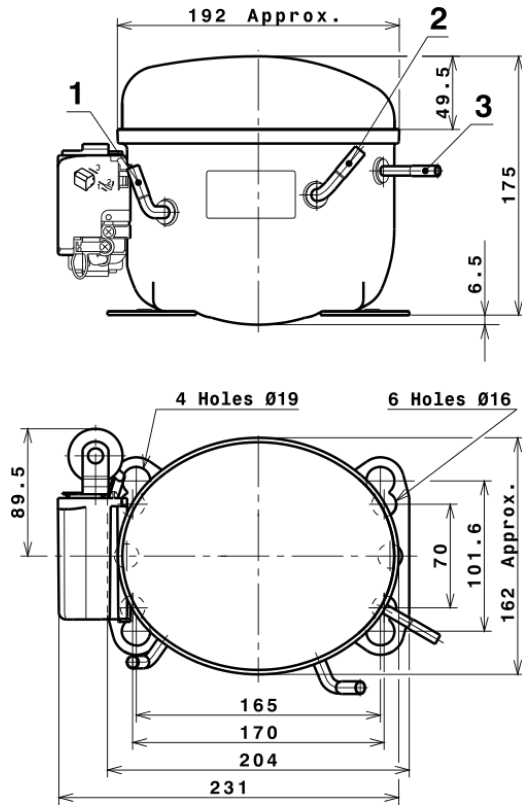
65	-25	58	102	0,97	0,57	0,49
65	-20	80	119	1,00	0,67	0,58
65	-15	111	137	1,04	0,81	0,70
65	-10	150	155	1,09	0,97	0,84
65	-5	197	173	1,15	1,14	0,98
65	0	252	192	1,22	1,31	1,13
65	5	316	212	1,29	1,49	1,29
65	7,2	346	220	1,33	1,57	1,36
65	10	387	232	1,37	1,67	1,45

EN12900

X	Cooling Capacity (W)	Consumption (W)	Current (A)	Mass Flow (kg/h)
1	578,1237037507	88,0920772609	0,8502249352	9,6174701922078
2	21,4641603987	0,4863201465	0,0000355368	0,40237885629445
3	-5,1525609280	1,6832373621	0,0059124612	-0,033489178072283
4	0,1608224081	0,0095015893	0,0001311554	0,0046416068676805
5	-0,1530046650	0,0536269728	0,0002120662	-0,00083543638955876

Equation	$x_1 + x_2Te + x_3Tc + x_4Te^2 + x_5TeTc$
----------	---

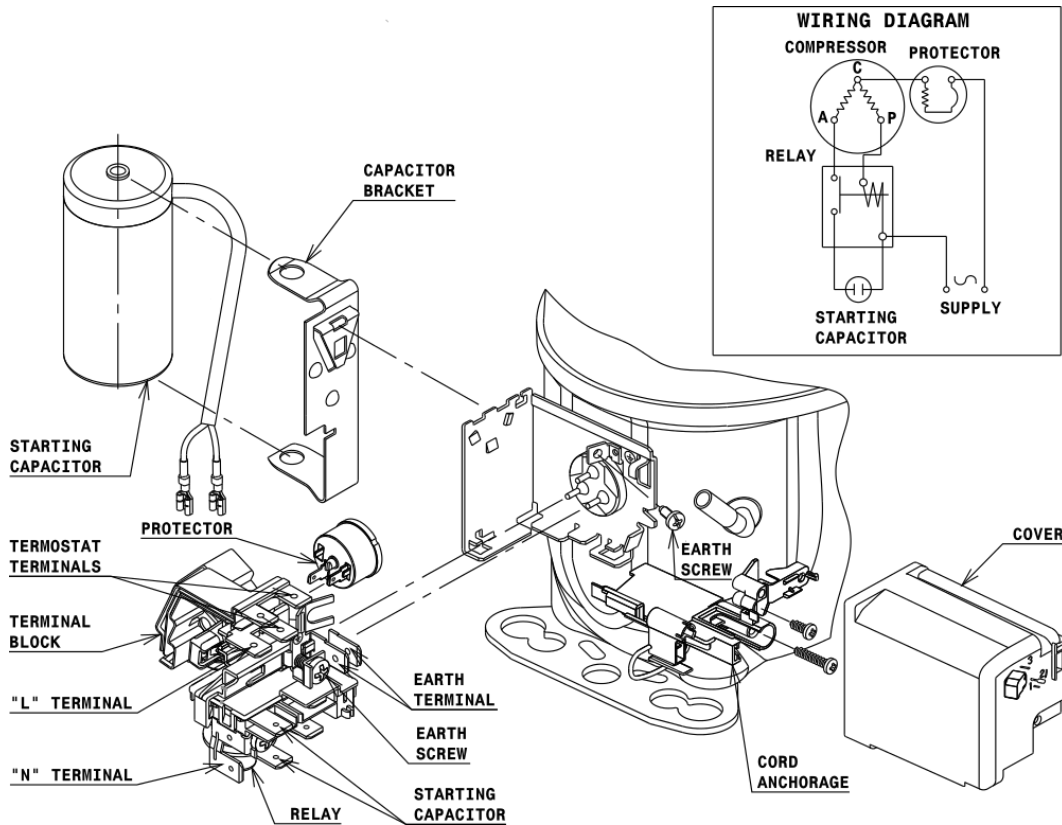
COMPRESSOR DIMENSIONS



DESIGNATION	INTERNAL DIAM.
1 Suction	6,5 mm
2 Service	6,5 mm
3 Discharge	4,9 mm

WIRING DIAGRAMS AND ELECTRICAL ASSEMBLY

CSIR CONNECTION (L, P ranges)



Technical Data Sheet

FIXINGS



SILENT BLOCKS (MOUNTING ACCESSORIES)

STANDARD

Ø16 holes (170x70 net)



AMERICAN FEET

Ø19 holes (165x101.6 net)



SNAP-ON

Ø16 holes (170x70 net)



SOA

SOA R134a HMBP

