

Technical Data Sheet

Compressor model **GLY12RRa**
 Voltage **115-127V 60Hz ~1**
 Refrigerant **R134a**

APPLICATION

COMPRESSOR

MOTOR

Application	High-Medium Back Pressure	Displacement	10,70 cm ³	Nominal Power	3/8 hp
Refrigerant	R134a	Diameter	25,40 mm	Voltage/Frequency	115-127V 60Hz
Evaporating Temp.	-25,0 °C to 10,0 °C	Stroke	21,12 mm	Voltage range	98-140 V
Expansion	Capillar/Valve	Net Weight	11,14 Kg	Type	CSIR
Comp. Cooling	Fan cooled	Oil type	ISO VG 32 ESTER	Phase number	1 PH
Max. ambient temp.	43,0 °C	Oil charge	350 cm ³	Locked Rotor Amps (LRA)	36,00 A
Compatible refriger.	R1234yf			Max. Cont. Current (MCC)	8,20 A
				Main W. resist. at 25°C	1,27 Ω
				Start W. resist. at 25°C	8,47 Ω

NOMINAL PERFORMANCE

	ASHRAE	CECOMAF
Cooling Capacity	1.044 kCal/h	1.015 W
COP	2,20 W/W	1,90 W/W
EER	1,89 kCal/Wh	1,64 kCal/Wh
Input Power	552 W	534 W
Current	6,01 A	5,87 A

APPROVALS



TEST CYCLE CONDITIONS

	ASHRAE HMBP (D)	CECOMAF HMBP (C)
Evaporating temp. (T _e)	7,2 °C	5,0 °C
Condensing temp. (T _c)	55,0 °C	55,0 °C
Liquid temp. (T _{liq.})	46,0 °C	55,0 °C
Ambient temp. (T _{amb.})	35,0 °C	32,0 °C
Suction temp. (T _{suction})	35,0 °C	32,0 °C
Voltage/Frequency	115 V 60 Hz	115 V 60 Hz

ELECTRICAL COMPONENTS

Starting capacitor	170 µF 160 V			
Relay	Option 1			
Reference	2014 184.			
Pick-Up	18,70 A			
Drop-Out	15,60 A			
Protector	Option 1			
Reference	T0260			
Current	22,00 A			
Time check	7,5-14 seg			
Disc temp. (Open/Close)	105,00 / 52,00 °C			

ASHRAE

Tc °C	Te °C	Cooling Capacity kCal/h	Consumption W	Current A	COP W/W	EER kCal/Wh
40	-25	273	260	4,16	1,22	1,05
40	-20	367	296	4,34	1,45	1,24
40	-15	481	332	4,54	1,69	1,45
40	-10	616	370	4,76	1,94	1,66
40	-5	770	409	5,00	2,19	1,88
40	0	945	449	5,26	2,45	2,11
40	5	1.139	490	5,54	2,71	2,33
40	7,2	1.231	508	5,68	2,82	2,42
40	10	1.354	532	5,85	2,96	2,55

45	-25	252	261	4,16	1,12	0,97
45	-20	340	299	4,35	1,32	1,14
45	-15	448	337	4,57	1,54	1,33
45	-10	576	377	4,80	1,77	1,53
45	-5	723	418	5,06	2,01	1,73
45	0	891	460	5,34	2,25	1,94
45	5	1.080	503	5,64	2,49	2,14
45	7,2	1.169	523	5,79	2,60	2,24
45	10	1.288	548	5,98	2,74	2,35

50	-25	231	262	4,17	1,03	0,88
50	-20	312	302	4,37	1,20	1,04
50	-15	414	343	4,60	1,40	1,21
50	-10	535	385	4,84	1,62	1,39
50	-5	677	428	5,12	1,84	1,58
50	0	838	472	5,42	2,07	1,78
50	5	1.020	517	5,74	2,29	1,97
50	7,2	1.106	537	5,90	2,39	2,06
50	10	1.222	563	6,10	2,52	2,17

55	-25	210	263	4,17	0,93	0,80
55	-20	285	305	4,39	1,09	0,93
55	-15	380	348	4,63	1,27	1,09
55	-10	495	392	4,89	1,47	1,26
55	-5	630	437	5,18	1,68	1,44
55	0	785	483	5,50	1,89	1,62
55	5	961	531	5,85	2,10	1,81
55	7,2	1.044	552	6,01	2,20	1,89
55	10	1.156	579	6,23	2,32	2,00

60	-25	189	264	4,17	0,83	0,72
60	-20	258	308	4,40	0,97	0,84
60	-15	346	353	4,66	1,14	0,98
60	-10	455	399	4,94	1,32	1,14
60	-5	583	447	5,24	1,52	1,31
60	0	732	495	5,58	1,72	1,48
60	5	901	545	5,95	1,92	1,65
60	7,2	982	567	6,13	2,01	1,73
60	10	1.090	595	6,35	2,13	1,83

65	-25	168	265	4,18	0,74	0,63
65	-20	230	311	4,42	0,86	0,74
65	-15	312	358	4,69	1,01	0,87
65	-10	414	407	4,98	1,19	1,02
65	-5	537	456	5,31	1,37	1,18
65	0	679	507	5,67	1,56	1,34
65	5	842	558	6,06	1,75	1,51
65	7,2	919	581	6,24	1,84	1,58
65	10	1.024	611	6,49	1,95	1,68

CECOMAF

Tc °C	Te °C	Cooling Capacity W	Consumption W	Current A	COP W/W	EER kCal/Wh
40	-25	294	261	4,16	1,13	0,97
40	-20	397	297	4,34	1,34	1,15
40	-15	520	334	4,55	1,56	1,35
40	-10	665	372	4,77	1,79	1,55
40	-5	831	411	5,01	2,02	1,75
40	0	1.018	451	5,28	2,26	1,95
40	5	1.226	493	5,57	2,49	2,15
40	7,2	1.325	511	5,70	2,59	2,24
40	10	1.456	535	5,88	2,72	2,35

45	-25	270	262	4,17	1,03	0,89
45	-20	365	300	4,36	1,22	1,05
45	-15	481	339	4,58	1,42	1,22
45	-10	618	379	4,81	1,63	1,41
45	-5	776	421	5,07	1,85	1,59
45	0	956	463	5,36	2,06	1,78
45	5	1.156	507	5,67	2,28	1,97
45	7,2	1.251	526	5,81	2,38	2,05
45	10	1.377	551	6,00	2,50	2,16

50	-25	246	263	4,17	0,93	0,81
50	-20	333	303	4,38	1,10	0,95
50	-15	441	345	4,61	1,28	1,11
50	-10	571	387	4,86	1,48	1,27
50	-5	721	430	5,13	1,68	1,45
50	0	893	475	5,44	1,88	1,62
50	5	1.085	520	5,77	2,09	1,80
50	7,2	1.177	541	5,92	2,18	1,88
50	10	1.299	567	6,13	2,29	1,98

55	-25	222	264	4,18	0,84	0,73
55	-20	302	307	4,39	0,98	0,85
55	-15	402	350	4,64	1,15	0,99
55	-10	523	394	4,90	1,33	1,15
55	-5	666	440	5,20	1,51	1,31
55	0	830	486	5,52	1,71	1,47
55	5	1.015	534	5,87	1,90	1,64
55	7,2	1.103	556	6,04	1,98	1,71
55	10	1.221	583	6,26	2,09	1,81

60	-25	198	265	4,18	0,75	0,65
60	-20	270	310	4,41	0,87	0,75
60	-15	362	355	4,67	1,02	0,88
60	-10	476	402	4,95	1,19	1,02
60	-5	611	449	5,26	1,36	1,18
60	0	767	498	5,60	1,54	1,33
60	5	944	548	5,98	1,72	1,49
60	7,2	1.029	570	6,15	1,80	1,56
60	10	1.142	599	6,39	1,91	1,65

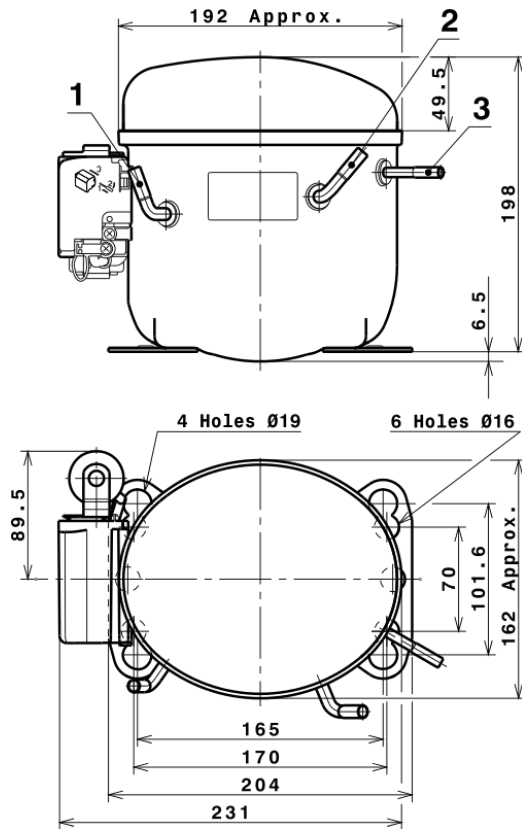
65	-25	174	266	4,19	0,65	0,57
65	-20	238	313	4,43	0,76	0,66
65	-15	323	360	4,70	0,90	0,77
65	-10	429	409	5,00	1,05	0,91
65	-5	556	459	5,33	1,21	1,05
65	0	704	510	5,69	1,38	1,19
65	5	873	562	6,09	1,55	1,34
65	7,2	955	585	6,27	1,63	1,41
65	10	1.064	615	6,52	1,73	1,49

EN12900

X	Cooling Capacity (W)	Consumption (W)	Current (A)	Mass Flow (kg/h)
1	1.527,4481298953	367,0290419211	4,5996397278	25,099361797102
2	52,1520154278	4,9761162073	0,0328713728	0,9628569894512
3	-13,0521499625	2,4023632435	0,0184917362	-0,068080703996237
4	0,4148045486	0,0261624363	0,0005949833	0,012013607615422
5	-0,3282271731	0,0878730167	0,0006985246	-0,00054012145678484

Equation	$x_1 + x_2Te + x_3Tc + x_4Te^2 + x_5TeTc$
----------	---

COMPRESSOR DIMENSIONS

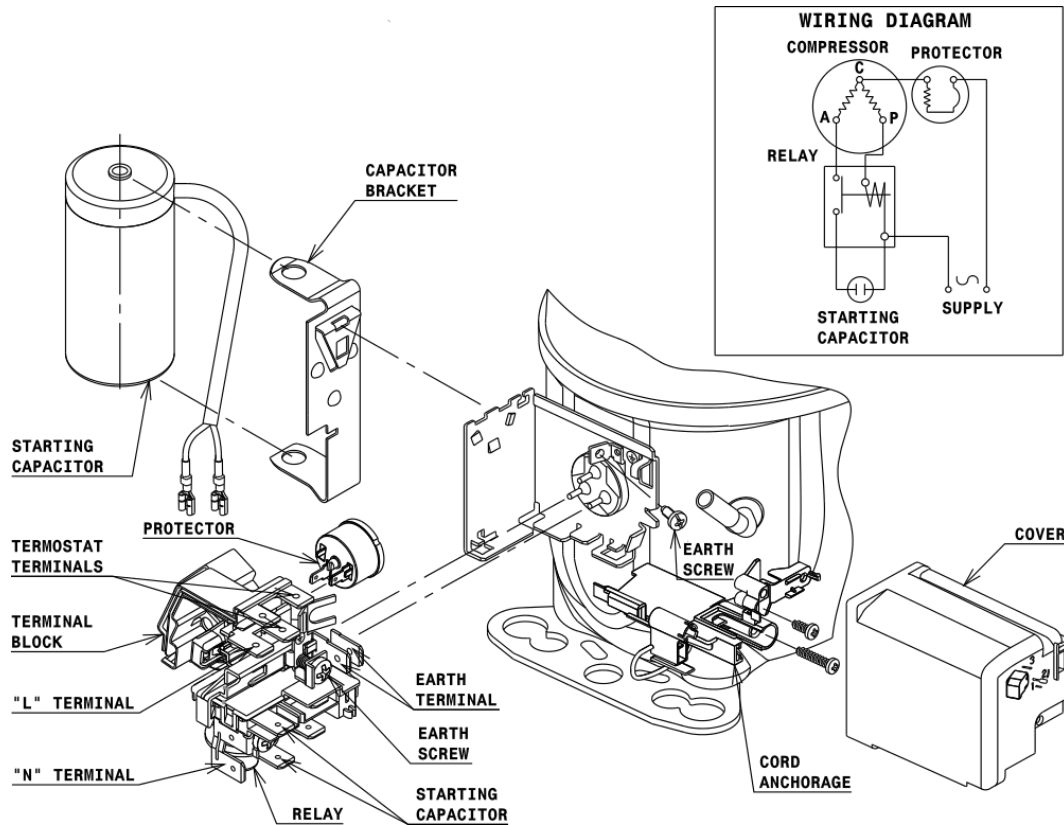


DESIGNATION INTERNAL DIAM.

DESIGNATION	INTERNAL DIAM.
1	Suction 8,1 mm
2	Service 8,1 mm
3	Discharge 6,5 mm

WIRING DIAGRAMS AND ELECTRICAL ASSEMBLY

CSIR CONNECTION (L, P ranges)



FIXINGS



SILENT BLOCKS (MOUNTING ACCESSORIES)

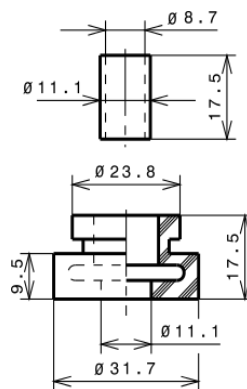
STANDARD

$\varnothing 16$ holes (170x70 net)



AMERICAN FEET

$\varnothing 19$ holes (165x101.6 net)



SNAP-ON

$\varnothing 16$ holes (170x70 net)



SOA

SOA R134a HMBP

