

Technical Data Sheet

Compressor model **GL80PE**
 Voltage **115V 60Hz ~1**
 Refrigerant **R134a**

APPLICATION

COMPRESSOR

MOTOR

Application	High-Medium Back Pressure	Displacement	7,57 cm ³	Nominal Power	1/5 hp
Refrigerant	R134a	Diameter	25,40 mm	Voltage/Frequency	115V 60Hz
Evaporating Temp.	-25,0 °C to 10,0 °C	Stroke	14,92 mm	Voltage range	98-132 V
Expansion	Capillar	Net Weight	9,97 Kg	Type	RSIR
Comp. Cooling	Fan cooled	Oil type	ISO VG 32 ESTER	Phase number	1 PH
Max. ambient temp.	43,0 °C	Oil charge	300 cm ³	Locked Rotor Amps (LRA)	32,00 A
Compatible refriger.	R1234yf			Max. Cont. Current (MCC)	6,50 A
				Main W. resist. at 25°C	1,73 Ω
				Start W. resist. at 25°C	7,75 Ω

NOMINAL PERFORMANCE

	ASHRAE	CECOMAF
Cooling Capacity	667 kCal/h	647 W
COP	2,04 W/W	1,78 W/W
EER	1,76 kCal/Wh	1,53 kCal/Wh
Input Power	380 W	365 W
Current	4,20 A	4,08 A

APPROVALS



TEST CYCLE CONDITIONS

	ASHRAE HMBP (D)	CECOMAF HMBP (C)
Evaporating temp. (T _e)	7,2 °C	5,0 °C
Condensing temp. (T _c)	55,0 °C	55,0 °C
Liquid temp. (T _{liq.})	46,0 °C	55,0 °C
Ambient temp. (T _{amb.})	35,0 °C	32,0 °C
Suction temp. (T _{suction})	35,0 °C	32,0 °C
Voltage/Frequency	115 V 60 Hz	115 V 60 Hz

ELECTRICAL COMPONENTS

Relay	Option 1			
Reference	2014 170.			
Pick-Up	12,10 A			
Drop-Out	10,30 A			
Protector	Option 1	Option 2		
Reference	MRT22ALK	T0085		
Current	15,30 A	15,30 A		
Time check	7,5-14 seg	7,5-14 seg		
Disc temp. (Open/Close)	105,00 / 61,00 °C	115,00 / 62,00 °C		

ASHRAE

Tc °C	Te °C	Cooling Capacity kCal/h	Consumption W	Current A	COP W/W	EER kCal/Wh
40	-25	175	170	2,80	1,20	1,03
40	-20	241	188	2,90	1,49	1,28
40	-15	320	209	3,02	1,78	1,53
40	-10	412	232	3,15	2,07	1,78
40	-5	517	257	3,31	2,34	2,01
40	0	634	285	3,50	2,59	2,22
40	5	765	316	3,71	2,82	2,42
40	7,2	826	330	3,82	2,91	2,50
40	10	908	349	3,96	3,03	2,60

45	-25	158	170	2,80	1,08	0,93
45	-20	218	191	2,91	1,33	1,14
45	-15	292	214	3,05	1,59	1,36
45	-10	378	239	3,20	1,84	1,58
45	-5	477	268	3,38	2,07	1,78
45	0	589	298	3,59	2,30	1,98
45	5	714	331	3,83	2,51	2,15
45	7,2	773	347	3,94	2,59	2,23
45	10	852	367	4,10	2,70	2,32

50	-25	140	170	2,80	0,96	0,83
50	-20	195	193	2,93	1,18	1,01
50	-15	263	219	3,08	1,40	1,20
50	-10	344	247	3,25	1,62	1,39
50	-5	438	278	3,45	1,83	1,57
50	0	544	311	3,68	2,03	1,75
50	5	663	347	3,94	2,22	1,91
50	7,2	720	363	4,07	2,30	1,98
50	10	796	385	4,24	2,40	2,07

55	-25	123	170	2,80	0,84	0,72
55	-20	172	196	2,94	1,02	0,88
55	-15	235	224	3,11	1,22	1,05
55	-10	310	255	3,30	1,41	1,22
55	-5	398	288	3,52	1,61	1,38
55	0	499	324	3,77	1,79	1,54
55	5	613	362	4,06	1,97	1,69
55	7,2	667	380	4,20	2,04	1,76
55	10	740	403	4,39	2,13	1,83

60	-25	106	170	2,80	0,72	0,62
60	-20	150	198	2,96	0,88	0,75
60	-15	206	229	3,14	1,05	0,90
60	-10	276	263	3,35	1,22	1,05
60	-5	359	299	3,59	1,40	1,20
60	0	454	337	3,87	1,57	1,35
60	5	562	378	4,18	1,73	1,49
60	7,2	614	397	4,33	1,80	1,55
60	10	683	421	4,54	1,89	1,62

65	-25	88	170	2,80	0,60	0,52
65	-20	127	201	2,97	0,73	0,63
65	-15	178	235	3,17	0,88	0,76
65	-10	242	271	3,40	1,04	0,89
65	-5	319	309	3,66	1,20	1,03
65	0	409	350	3,97	1,36	1,17
65	5	512	393	4,31	1,51	1,30
65	7,2	561	413	4,47	1,58	1,36
65	10	627	439	4,70	1,66	1,43

CECOMAF

Tc °C	Te °C	Cooling Capacity W	Consumption W	Current A	COP W/W	EER kCal/Wh
40	-25	189	171	2,80	1,10	0,95
40	-20	260	189	2,90	1,38	1,19
40	-15	346	210	3,02	1,65	1,42
40	-10	445	233	3,16	1,91	1,65
40	-5	557	259	3,32	2,15	1,86
40	0	684	287	3,51	2,38	2,06
40	5	823	318	3,73	2,59	2,24
40	7,2	889	332	3,83	2,68	2,31
40	10	976	351	3,97	2,78	2,40

45	-25	169	171	2,80	0,99	0,85
45	-20	234	192	2,92	1,22	1,06
45	-15	313	215	3,05	1,46	1,26
45	-10	406	241	3,21	1,69	1,46
45	-5	512	269	3,39	1,90	1,64
45	0	631	300	3,60	2,10	1,82
45	5	765	333	3,84	2,29	1,98
45	7,2	827	349	3,96	2,37	2,05
45	10	911	369	4,12	2,47	2,13

50	-25	150	171	2,80	0,88	0,76
50	-20	208	194	2,93	1,07	0,93
50	-15	281	220	3,08	1,28	1,10
50	-10	367	249	3,26	1,48	1,27
50	-5	466	280	3,46	1,67	1,44
50	0	579	313	3,69	1,85	1,60
50	5	706	349	3,96	2,02	1,75
50	7,2	766	366	4,09	2,09	1,81
50	10	846	388	4,26	2,18	1,89

55	-25	130	171	2,80	0,76	0,66
55	-20	183	197	2,95	0,93	0,80
55	-15	248	225	3,12	1,10	0,95
55	-10	328	256	3,31	1,28	1,10
55	-5	421	290	3,53	1,45	1,25
55	0	527	326	3,79	1,62	1,40
55	5	647	365	4,08	1,78	1,53
55	7,2	704	382	4,22	1,84	1,59
55	10	781	406	4,41	1,92	1,66

60	-25	111	171	2,80	0,65	0,56
60	-20	157	199	2,96	0,78	0,68
60	-15	216	231	3,15	0,94	0,81
60	-10	289	264	3,36	1,09	0,94
60	-5	375	300	3,60	1,25	1,08
60	0	475	339	3,88	1,40	1,21
60	5	589	380	4,20	1,55	1,34
60	7,2	643	399	4,36	1,61	1,39
60	10	716	424	4,56	1,69	1,46

65	-25	91	171	2,80	0,53	0,46
65	-20	131	202	2,98	0,65	0,56
65	-15	183	236	3,18	0,78	0,67
65	-10	250	272	3,41	0,92	0,79
65	-5	330	311	3,68	1,06	0,92
65	0	423	352	3,98	1,20	1,04
65	5	530	396	4,33	1,34	1,16
65	7,2	581	416	4,50	1,40	1,21
65	10	651	442	4,72	1,47	1,27

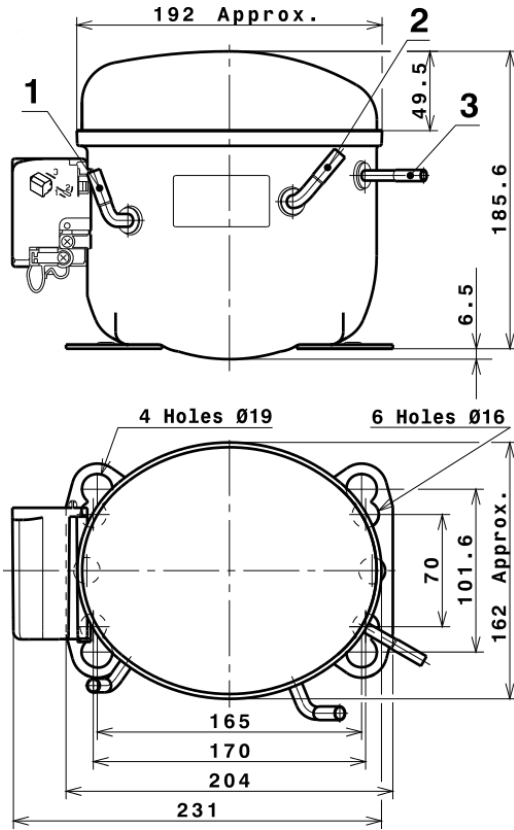
EN12900

X	Cooling Capacity (W)	Consumption (W)	Current (A)	Mass Flow (kg/h)
1	1.102,5801145256	187,3686959008	2,7068310661	18,937357297316
2	37,0986859151	1,8512487739	0,0113545170	0,69878836999454
3	-10,6932147074	2,6777323582	0,0209534310	-0,097573821767366
4	0,2661581999	0,0537914794	0,0006437592	0,0077132431812667
5	-0,2715499273	0,1071092943	0,0008381372	-0,0016871785512299

Equation	$x_1 + x_2Te + x_3Tc + x_4Te^2 + x_5TeTc$
----------	---

Technical Data Sheet

COMPRESSOR DIMENSIONS

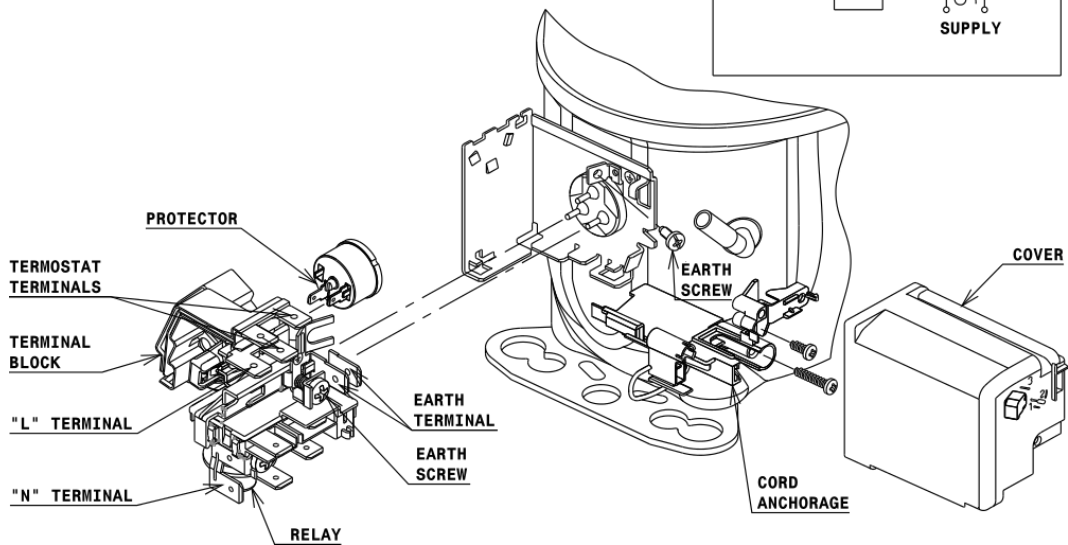
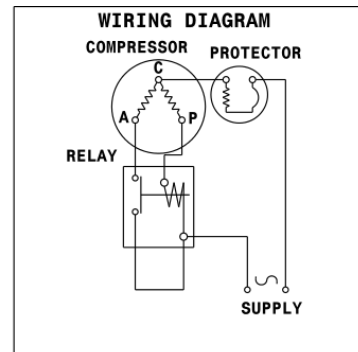


DESIGNATION INTERNAL DIAM.

DESIGNATION	INTERNAL DIAM.
1 Suction	6,5 mm
2 Service	6,5 mm
3 Discharge	4,9 mm

WIRING DIAGRAMS AND ELECTRICAL ASSEMBLY

RSIR CONNECTION (RELAY) (L, P ranges)



Technical Data Sheet

FIXINGS



SILENT BLOCKS (MOUNTING ACCESSORIES)

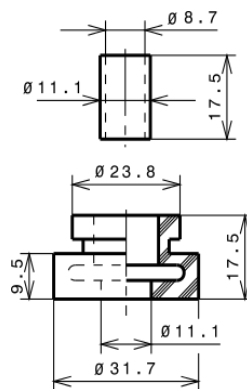
STANDARD

Ø16 holes (170x70 net)



AMERICAN FEET

Ø19 holes (165x101.6 net)



SNAP-ON

Ø16 holes (170x70 net)



SOA

SOA R134a HMBP

