

# Technical Data Sheet

Compressor model **GL60TG**  
 Voltage **200-240/220-230V 50/60Hz ~1**  
 Refrigerant **R134a**

## APPLICATION

## COMPRESSOR

## MOTOR

Application	High-Medium Back Pressure	Displacement	5,68 cm <sup>3</sup>	Nominal Power	1/5 hp
Refrigerant	R134a	Diameter	22,00 mm	Voltage/Frequency	200-240V 50Hz
Evaporating Temp.	-25,0 °C to 10,0 °C	Stroke	14,92 mm	Voltage range	170-255 V
Expansion	Capillar/Valve	Net Weight	9,07 Kg	Type	CSIR
Comp. Cooling	Fan cooled	Oil type	ISO VG 32 ESTER	Phase number	1 PH
Max. ambient temp.	43,0 °C	Oil charge	300 cm <sup>3</sup>	Locked Rotor Amps (LRA)	9,90 A
Compatible refriger.	R1234yf			Max. Cont. Current (MCC)	2,70 A
				Main W. resist. at 25°C	12,00 Ω
				Start W. resist. at 25°C	30,00 Ω

## NOMINAL PERFORMANCE

	ASHRAE	CECOMAF
Cooling Capacity	450 kCal/h	436 W
COP	2,09 W/W	1,81 W/W
EER	1,80 kCal/Wh	1,56 kCal/Wh
Input Power	250 W	241 W
Current	1,60 A	1,56 A

## APPROVALS



## TEST CYCLE CONDITIONS

	ASHRAE HMBP (D)	CECOMAF HMBP (C)
Evaporating temp. (T <sub>e</sub> )	7,2 °C	5,0 °C
Condensing temp. (T <sub>c</sub> )	55,0 °C	55,0 °C
Liquid temp. (T <sub>liq.</sub> )	46,0 °C	55,0 °C
Ambient temp. (T <sub>amb.</sub> )	35,0 °C	32,0 °C
Suction temp. (T <sub>suction</sub> )	35,0 °C	32,0 °C
Voltage/Frequency	200 V 50 Hz	200 V 50 Hz



## ELECTRICAL COMPONENTS

Starting capacitor	47- 56 µF 330 V		
Relay	Option 1		
Reference	2014 127.		
Pick-Up	4,80 A		
Drop-Out	4,10 A		
Protector	Option 1	Option 2	Option 3
Reference	MRP56AMK	T0057	AE39FHY
Current	9,40 A	8,50 A	9,00 A
Time check	7,5-14 seg	7,5-14 seg	7,5-14 seg
Disc temp. (Open/Close)	105,00 / 61,00 °C	105,00 / 61,00 °C	105,00 / 62,00 °C

## ASHRAE

Tc °C	Te °C	Cooling Capacity kCal/h	Consumption W	Current A	COP W/W	EER kCal/Wh
40	-25	120	120	1,15	1,16	1,00
40	-20	162	133	1,18	1,42	1,22
40	-15	212	146	1,21	1,69	1,45
40	-10	273	161	1,26	1,97	1,69
40	-5	342	177	1,31	2,25	1,93
40	0	421	194	1,36	2,52	2,17
40	5	508	212	1,43	2,79	2,40
40	7,2	550	220	1,47	2,91	2,50
40	10	606	231	1,51	3,05	2,62

45	-25	110	120	1,15	1,07	0,92
45	-20	148	134	1,18	1,28	1,10
45	-15	195	149	1,22	1,52	1,31
45	-10	252	166	1,27	1,77	1,52
45	-5	317	183	1,33	2,02	1,73
45	0	392	202	1,39	2,26	1,95
45	5	477	221	1,47	2,51	2,16
45	7,2	517	230	1,51	2,61	2,25
45	10	570	242	1,56	2,74	2,36

50	-25	100	120	1,15	0,97	0,83
50	-20	134	136	1,19	1,15	0,99
50	-15	178	152	1,23	1,36	1,17
50	-10	231	170	1,28	1,58	1,36
50	-5	293	189	1,35	1,80	1,55
50	0	364	209	1,42	2,02	1,74
50	5	445	230	1,51	2,25	1,93
50	7,2	483	240	1,55	2,34	2,01
50	10	535	253	1,61	2,46	2,12

55	-25	90	120	1,15	0,87	0,75
55	-20	121	137	1,19	1,02	0,88
55	-15	161	156	1,24	1,20	1,03
55	-10	210	175	1,30	1,40	1,20
55	-5	268	195	1,37	1,60	1,37
55	0	336	217	1,45	1,80	1,55
55	5	413	240	1,55	2,00	1,72
55	7,2	450	250	1,60	2,09	1,80
55	10	499	263	1,67	2,21	1,90

60	-25	80	120	1,15	0,78	0,67
60	-20	107	139	1,19	0,90	0,77
60	-15	144	159	1,25	1,05	0,90
60	-10	189	180	1,32	1,22	1,05
60	-5	244	202	1,39	1,41	1,21
60	0	308	225	1,49	1,59	1,37
60	5	381	249	1,60	1,78	1,53
60	7,2	417	260	1,65	1,86	1,60
60	10	464	274	1,72	1,97	1,69

65	-25	70	120	1,15	0,68	0,58
65	-20	94	140	1,20	0,77	0,67
65	-15	126	162	1,26	0,91	0,78
65	-10	168	184	1,33	1,06	0,91
65	-5	220	208	1,42	1,23	1,06
65	0	280	233	1,52	1,40	1,20
65	5	350	258	1,64	1,57	1,35
65	7,2	383	270	1,70	1,65	1,42
65	10	429	285	1,78	1,75	1,50

## CECOMAF

Tc °C	Te °C	Cooling Capacity W	Consumption W	Current A	COP W/W	EER kCal/Wh
40	-25	129	121	1,15	1,07	0,93
40	-20	175	133	1,18	1,31	1,13
40	-15	230	147	1,22	1,56	1,35
40	-10	295	162	1,26	1,82	1,57
40	-5	369	178	1,31	2,08	1,79
40	0	453	195	1,37	2,33	2,01
40	5	547	213	1,44	2,57	2,22
40	7,2	592	221	1,47	2,67	2,31
40	10	651	232	1,52	2,80	2,42

45	-25	118	121	1,15	0,98	0,84
45	-20	159	135	1,18	1,18	1,02
45	-15	210	150	1,22	1,40	1,21
45	-10	270	167	1,27	1,62	1,40
45	-5	341	184	1,33	1,85	1,60
45	0	421	203	1,40	2,08	1,79
45	5	510	222	1,48	2,29	1,98
45	7,2	553	231	1,52	2,39	2,06
45	10	610	243	1,57	2,51	2,17

50	-25	107	121	1,15	0,88	0,76
50	-20	143	136	1,19	1,05	0,91
50	-15	190	153	1,23	1,24	1,07
50	-10	246	171	1,29	1,44	1,24
50	-5	312	190	1,35	1,64	1,42
50	0	388	211	1,43	1,84	1,59
50	5	473	232	1,52	2,04	1,76
50	7,2	514	242	1,56	2,13	1,84
50	10	569	254	1,62	2,24	1,93

55	-25	95	121	1,15	0,79	0,68
55	-20	128	138	1,19	0,93	0,80
55	-15	170	156	1,24	1,09	0,94
55	-10	222	176	1,30	1,26	1,09
55	-5	284	197	1,38	1,44	1,25
55	0	355	218	1,46	1,63	1,41
55	5	436	241	1,56	1,81	1,56
55	7,2	475	252	1,61	1,89	1,63
55	10	527	265	1,67	1,99	1,72

60	-25	84	121	1,15	0,70	0,60
60	-20	112	140	1,20	0,80	0,69
60	-15	150	160	1,25	0,94	0,81
60	-10	198	181	1,32	1,10	0,95
60	-5	255	203	1,40	1,26	1,09
60	0	323	226	1,49	1,43	1,23
60	5	399	251	1,60	1,59	1,38
60	7,2	436	262	1,66	1,67	1,44
60	10	486	276	1,73	1,76	1,52

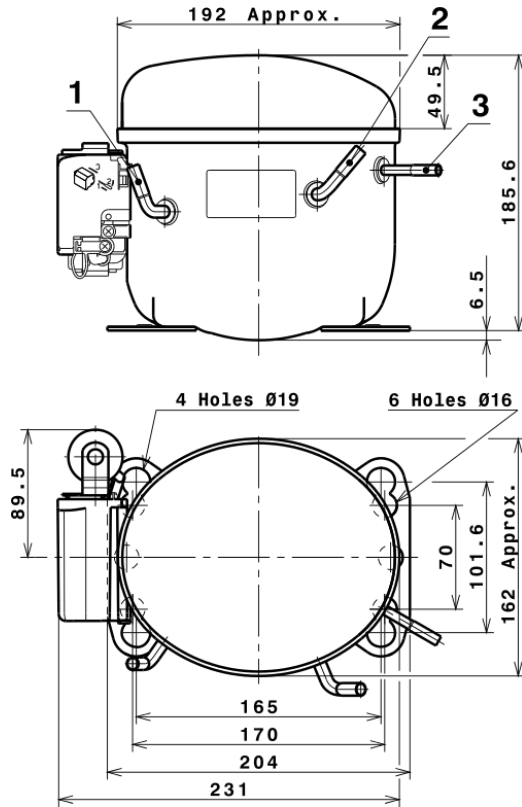
65	-25	73	121	1,15	0,60	0,52
65	-20	97	141	1,20	0,68	0,59
65	-15	130	163	1,26	0,80	0,69
65	-10	174	185	1,33	0,94	0,81
65	-5	227	209	1,42	1,09	0,94
65	0	290	234	1,53	1,24	1,07
65	5	362	260	1,65	1,39	1,20
65	7,2	398	272	1,71	1,46	1,26
65	10	445	287	1,79	1,55	1,34

## EN12900

X	Cooling Capacity (W)	Consumption (W)	Current (A)	Mass Flow (kg/h)
1	717,1668397225	135,7450352417	1,0811160826	12,149276886968
2	24,7205152789	1,0934192763	0,0033186504	0,46684746995779
3	-6,7372286911	1,6066394149	0,0073907285	-0,05464007424347
4	0,1911196929	0,0238610266	0,0002547696	0,00549820818523
5	-0,1779367056	0,0642655766	0,0002956291	-0,001063807492824

Equation	$x_1 + x_2Te + x_3Tc + x_4Te^2 + x_5TeTc$
----------	---

## COMPRESSOR DIMENSIONS

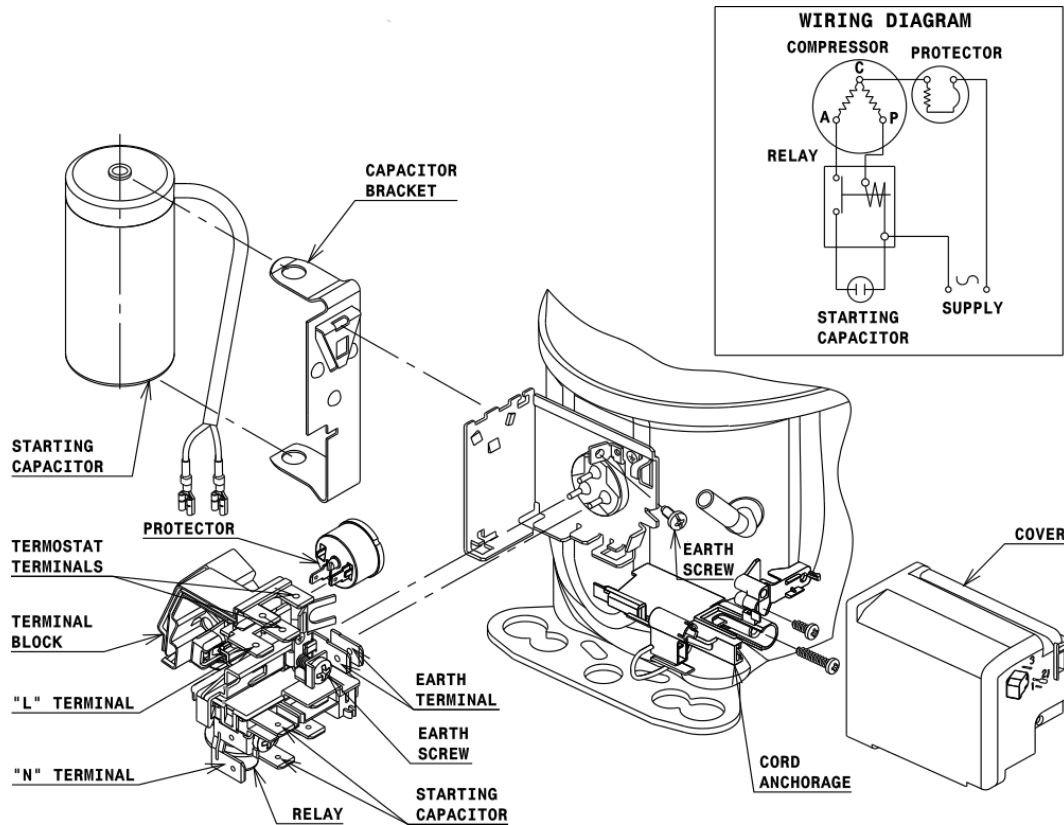


## DESIGNATION INTERNAL DIAM.

DESIGNATION	INTERNAL DIAM.
1 Suction	6,5 mm
2 Service	6,5 mm
3 Discharge	4,9 mm

## WIRING DIAGRAMS AND ELECTRICAL ASSEMBLY

### CSIR CONNECTION (L, P ranges)



## FIXINGS



## SILENT BLOCKS (MOUNTING ACCESSORIES)

### STANDARD

$\varnothing 16$  holes (170x70 net)



### AMERICAN FEET

$\varnothing 19$  holes (165x101.6 net)



### SNAP-ON

$\varnothing 16$  holes (170x70 net)



## SOA

SOA R134a HMBP

