

Technical Data Sheet

Compressor model **GL60ADb**
 Voltage **115V 60Hz ~1**
 Refrigerant **R134a**

APPLICATION

Application Low Back Pressure
 Refrigerant R134a
 Evaporating Temp. -35,0 °C to -10,0 °C
 Expansion Capillar/Valve
 Comp. Cooling Static
 Max. ambient temp. 43,0 °C
 Compatible refriger. R1234yf

COMPRESSOR

Displacement 5,98 cm³
 Diameter 20,88 mm
 Stroke 17,47 mm
 Net Weight 9,63 Kg
 Oil type ISO VG 32 ESTER
 Oil charge 210 cm³

MOTOR

Nominal Power 1/6 hp
 Voltage/Frequency 115V 60Hz
 Voltage range 98-132 V
 Type CSIR
 Phase number 1 PH
 Locked Rotor Amps (LRA) 15,00 A
 Max. Cont. Current (MCC) 3,00 A
 Main W. resist. at 25°C 2,75 Ω
 Start W. resist. at 25°C 6,17 Ω

NOMINAL PERFORMANCE

	ASHRAE	CECOMAF
Cooling Capacity	155 kCal/h	132 W
COP	1,10 W/W	0,85 W/W
EER	0,95 kCal/Wh	0,73 kCal/Wh
Input Power	164 W	156 W
Current	2,29 A	2,25 A

APPROVALS



TEST CYCLE CONDITIONS

	ASHRAE LBP (B)	CECOMAF LBP (A)
Evaporating temp. (T _e)	-23,3 °C	-25,0 °C
Condensing temp. (T _c)	55,0 °C	55,0 °C
Liquid temp. (T _{liq.})	32,0 °C	55,0 °C
Ambient temp. (T _{amb.})	32,0 °C	32,0 °C
Suction temp. (T _{suction})	32,0 °C	32,0 °C
Voltage/Frequency	115 V 60 Hz	115 V 60 Hz

ELECTRICAL COMPONENTS

Starting capacitor	150 µF 160 V			
Relay	Option 1			
Reference	2014 149.			
Pick-Up	7,80 A			
Drop-Out	6,65 A			
Protector	Option 1	Option 2		
Reference	MRP36AMN	T0170		
Current	11,00 A	11,00 A		
Time check	7,5-14 seg	7,5-14 seg		
Disc temp. (Open/Close)	120,00 / 69,00 °C	120,00 / 69,00 °C		

ASHRAE

Tc °C	Te °C	Cooling Capacity kCal/h	Consumption W	Current A	COP W/W	EER kCal/Wh
40	-35	88	123	2,08	0,83	0,72
40	-30	121	136	2,14	1,03	0,89
40	-25	161	152	2,22	1,24	1,06
40	-23,3	177	158	2,26	1,30	1,12
40	-20	211	171	2,33	1,43	1,23
40	-15	268	194	2,47	1,61	1,38
40	-10	334	220	2,64	1,77	1,52

45	-35	82	121	2,07	0,78	0,67
45	-30	114	136	2,14	0,98	0,84
45	-25	154	153	2,23	1,17	1,01
45	-23,3	170	160	2,27	1,23	1,06
45	-20	203	174	2,35	1,35	1,16
45	-15	260	199	2,50	1,52	1,31
45	-10	325	226	2,68	1,67	1,44

50	-35	75	119	2,06	0,74	0,63
50	-30	107	135	2,14	0,92	0,79
50	-25	147	155	2,24	1,10	0,95
50	-23,3	162	162	2,28	1,17	1,00
50	-20	195	177	2,37	1,28	1,10
50	-15	252	203	2,53	1,44	1,24
50	-10	317	233	2,72	1,58	1,36

55	-35	69	117	2,05	0,69	0,59
55	-30	100	135	2,14	0,86	0,74
55	-25	140	156	2,25	1,04	0,89
55	-23,3	155	164	2,29	1,10	0,95
55	-20	187	180	2,39	1,21	1,04
55	-15	244	208	2,56	1,36	1,17
55	-10	308	239	2,77	1,50	1,29

60	-35	63	115	2,04	0,63	0,54
60	-30	93	135	2,13	0,81	0,69
60	-25	132	157	2,25	0,98	0,84
60	-23,3	148	166	2,30	1,03	0,89
60	-20	180	183	2,40	1,14	0,98
60	-15	235	213	2,59	1,29	1,11
60	-10	299	245	2,82	1,42	1,22

65	-35	56	113	2,03	0,58	0,50
65	-30	87	134	2,13	0,75	0,64
65	-25	125	159	2,26	0,92	0,79
65	-23,3	140	168	2,31	0,97	0,84
65	-20	172	186	2,42	1,07	0,92
65	-15	227	217	2,62	1,22	1,04
65	-10	291	252	2,86	1,34	1,15

CECOMAF

Tc °C	Te °C	Cooling Capacity W	Consumption W	Current A	COP W/W	EER kCal/Wh
40	-35	96	123	2,08	0,78	0,67
40	-30	134	136	2,14	0,98	0,85
40	-25	180	152	2,22	1,18	1,02
40	-23,3	197	158	2,26	1,24	1,07
40	-20	233	171	2,33	1,36	1,17
40	-15	294	194	2,47	1,52	1,31
40	-10	364	220	2,64	1,65	1,43

45	-35	86	121	2,07	0,71	0,61
45	-30	121	136	2,14	0,89	0,77
45	-25	164	153	2,23	1,07	0,92
45	-23,3	180	160	2,27	1,12	0,97
45	-20	214	174	2,35	1,23	1,06
45	-15	273	199	2,50	1,37	1,19
45	-10	339	226	2,68	1,50	1,29

50	-35	75	119	2,06	0,63	0,55
50	-30	108	135	2,14	0,80	0,69
50	-25	148	155	2,24	0,96	0,83
50	-23,3	163	162	2,28	1,01	0,87
50	-20	196	177	2,37	1,10	0,95
50	-15	251	203	2,53	1,24	1,07
50	-10	315	233	2,72	1,35	1,17

55	-35	65	117	2,05	0,56	0,48
55	-30	95	135	2,14	0,70	0,61
55	-25	132	156	2,25	0,85	0,73
55	-23,3	146	164	2,29	0,89	0,77
55	-20	177	180	2,39	0,98	0,85
55	-15	230	208	2,56	1,10	0,95
55	-10	290	239	2,77	1,21	1,05

60	-35	55	115	2,04	0,48	0,41
60	-30	82	135	2,13	0,61	0,52
60	-25	116	157	2,25	0,74	0,64
60	-23,3	130	166	2,30	0,78	0,67
60	-20	158	183	2,40	0,86	0,75
60	-15	208	213	2,59	0,98	0,85
60	-10	266	245	2,82	1,08	0,94

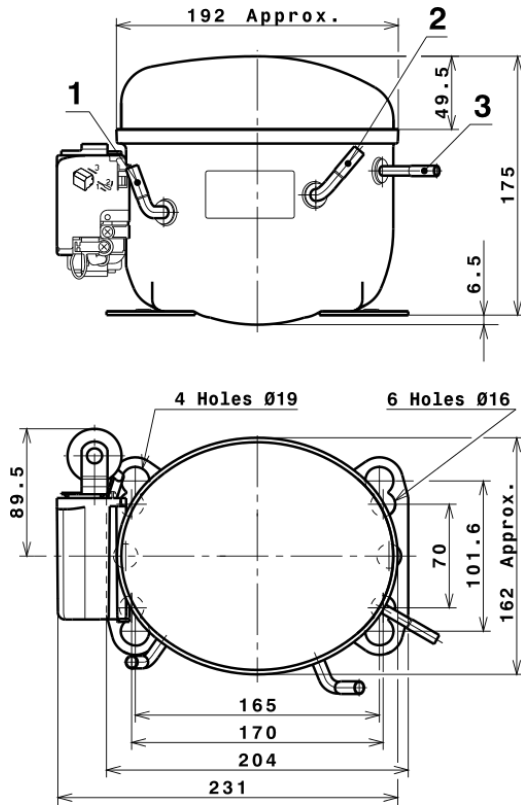
65	-35	45	113	2,03	0,40	0,34
65	-30	69	134	2,13	0,51	0,44
65	-25	100	159	2,26	0,63	0,55
65	-23,3	113	168	2,31	0,67	0,58
65	-20	140	186	2,42	0,75	0,65
65	-15	187	217	2,62	0,86	0,74
65	-10	242	252	2,86	0,96	0,83

EN12900

X	Cooling Capacity (W)	Consumption (W)	Current (A)	Mass Flow (kg/h)
1	763,2623522580	209,4329228406	2,5880128441	13,597761353337
2	22,0981789089	4,2766546768	0,0349229711	0,44007655447076
3	-6,1702096085	1,9791496975	0,0136823414	-0,046009905407599
4	0,1519934785	0,0671337854	0,0006548303	0,0041241201701221
5	-0,1178357353	0,0682214525	0,0004461011	-0,00046689253819835

Equation	$x_1 + x_2Te + x_3Tc + x_4Te^2 + x_5TeTc$
----------	---

COMPRESSOR DIMENSIONS

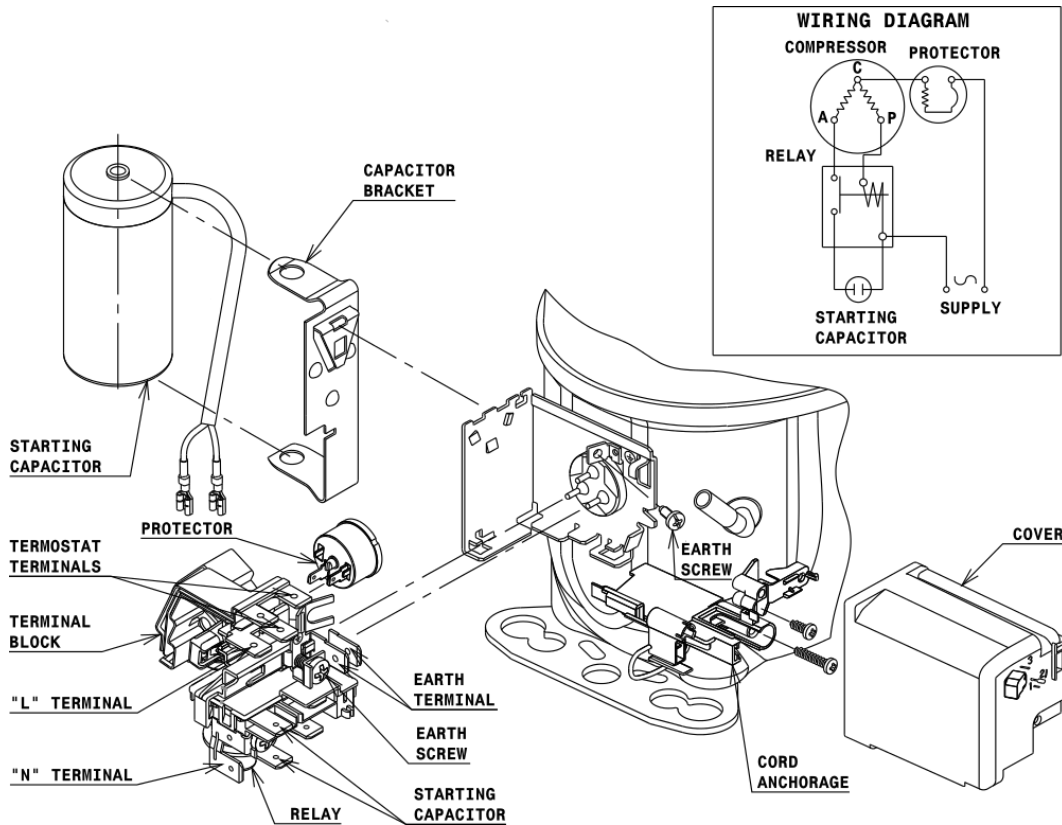


DESIGNATION INTERNAL DIAM.

1	Suction	6,5 mm
2	Service	6,5 mm
3	Discharge	4,9 mm

WIRING DIAGRAMS AND ELECTRICAL ASSEMBLY

CSIR CONNECTION (L, P ranges)



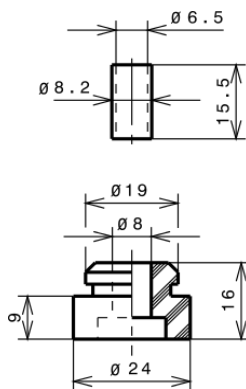
FIXINGS



SILENT BLOCKS (MOUNTING ACCESSORIES)

STANDARD

$\varnothing 16$ holes (170x70 net)



AMERICAN FEET

$\varnothing 19$ holes (165x101.6 net)



SNAP-ON

$\varnothing 16$ holes (170x70 net)



SOA

SOA R134a LBP

