

# Condensing Unit Technical Data Sheet

**Model** CNPY12RAb\_N  
**Voltage** 220-240V 50Hz ~1  
**Refrigerant** R290

### APPLICATION

Application	High Back Pressure
Refrigerant	R290
Evaporating Temp.	-15,0 °C to 10,0 °C
Expansion	Capillar/Valve
Comp. Cooling	Fan cooled
Max. ambient temp.	43,0 °C

### COMPRESSOR

Displacement	12,10 cm <sup>3</sup>
Diameter	27,00 mm
Stroke	21,13 mm
Oil type	ISO VG 32 ESTER
Oil charge	400 cm <sup>3</sup>

### MOTOR

Nominal Power	1/2 hp
Voltage/Frequency	220-240V 50Hz
Voltage range	198-255 V
Type	CSR
Phase number	1 PH
Locked Rotor Amps (LRA)	22,00 A
Max. Cont. Current (MCC)	5,20 A
Main W. resist. at 25°C	4,50 Ω
Start W. resist. at 25°C	8,70 Ω

### NOMINAL PERFORMANCE

Cooling Capacity	1.880 W
COP	2,81 W/W
EER	2,41 kCal/Wh
Input Power	670 W
Current	3,40 A

### ASHRAE

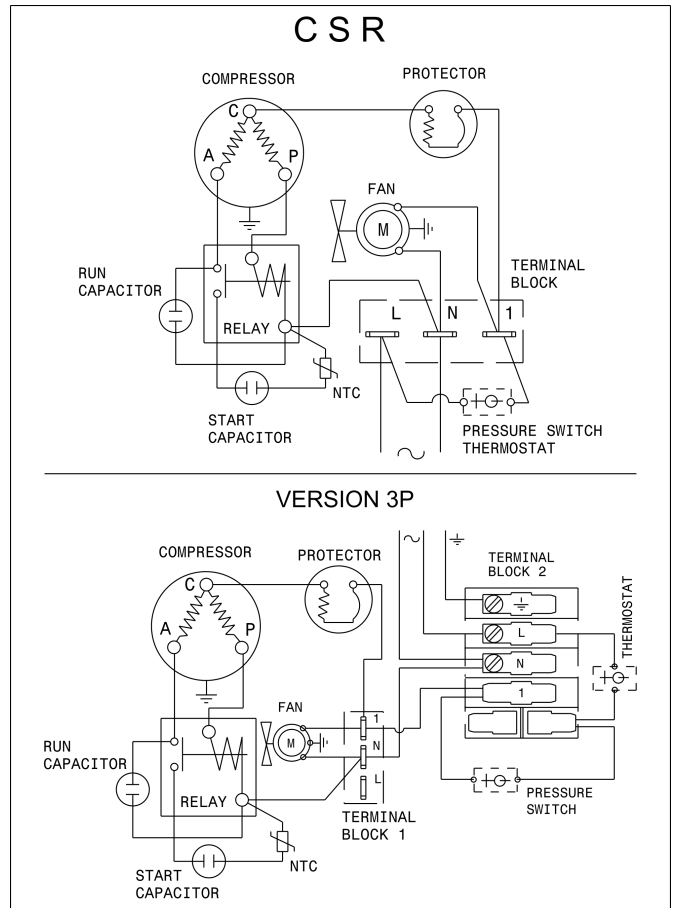
### TEST CYCLE CONDITIONS

	<b>HBP</b>
Evaporating temp. (T <sub>e</sub> )	7,2 °C
Condensing temp. (T <sub>c</sub> )	55,0 °C
Liquid temp. (T <sub>liq.</sub> )	46,0 °C
Ambient temp. (T <sub>amb.</sub> )	35,0 °C
Suction temp. (T <sub>suction</sub> )	35,0 °C
Voltage/Frequency	220 V 50 Hz

### CONDENSER AND FAN DATA

Condenser type	CU-AL
Condenser model	10T 4R
Fan blade (Ø mm / °)	230 / 28
Fan motor	10W 230V 50/60Hz

### WIRING DIAGRAM



### REFRIGERATION CAPACITY (W) Evaporating Temperature (°C)

Model	Motor	-25	-15	-5	5	7.2			10
						W	Winp	A	
CNPY12RAb_N	CSR	-	826	1238	1753	1880	670	3.4	2047

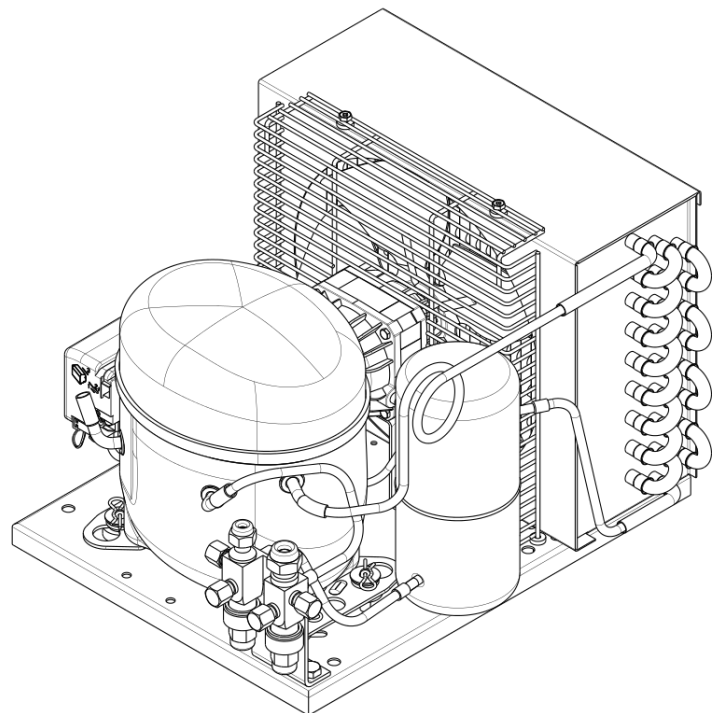
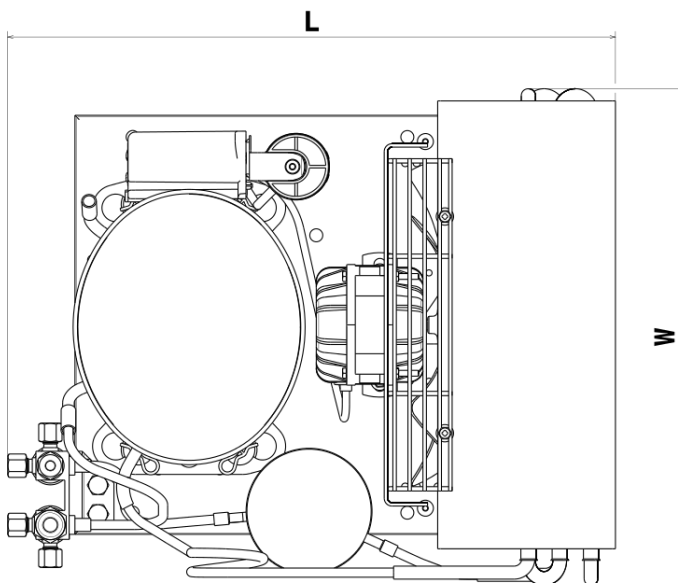
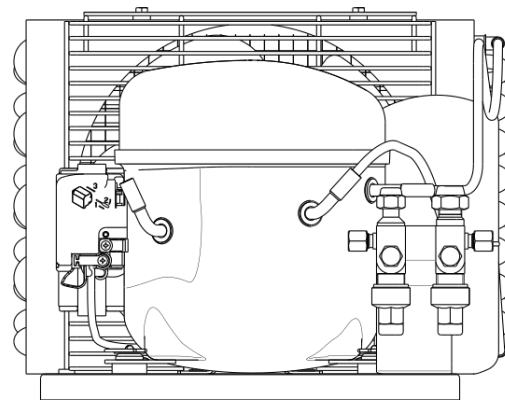
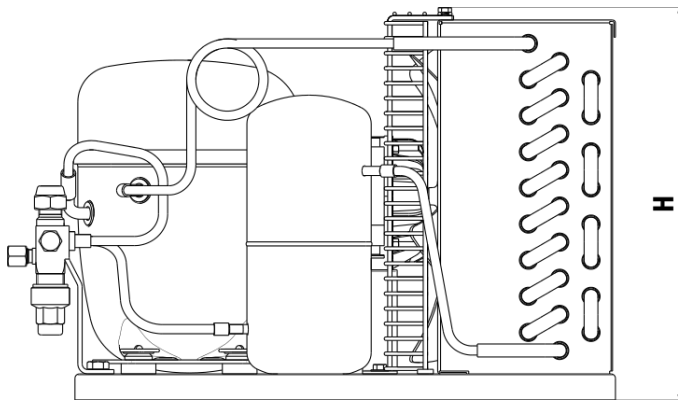
ASHRAE HBP: Condensing temperature: 55°C, Liquid temperature: 46°C, Suction temperature: 35°C, Ambient temperature: 35°C

# Condensing Unit Technical Data Sheet

## VERSIONS

VERSION 1	VERSION 2	VERSION 3	VERSION 3P	VERSION 4
<b>Tube</b>	<b>Service valve</b>	<b>Service valve and receiver</b>	<b>Service valve, receiver, pressure switch</b>	<b>Schrader valve on the service port</b>
Suction tube internal diam.: 8,1 mm Discharge tube internal diam.: 6,5 mm Net Weight: 27,7 Kg	Suction valve: 3/8" Discharge valve: 3/8" Net Weight: 28,1 Kg	Receiver vol.: 1,1 l Suction valve: 3/8" Discharge valve: 3/8" Net Weight: 28,9 Kg	Receiver vol.: 1,1 l Suction valve: 3/8" Discharge valve: 3/8" Net Weight: 30,0 Kg	Suction tube internal diam.: 8,1 mm Discharge tube internal diam.: 6,5 mm Net Weight: 27,7 Kg

## DIMENSIONS (Version 3 drawing)



VERSION 1-4 (WxLxH) (mm)	VERSION 2 (WxLxH) (mm)	VERSION 3 (WxLxH) (mm)	VERSION 3P (WxLxH) (mm)
315x385x235	315x425x235	320x425x235	330x435x245