

Condensing Unit Technical Data Sheet

Model CNPY12RAa_N
Voltage 220-240V 50Hz ~1
Refrigerant R290

APPLICATION

| | |
|--------------------|---------------------|
| Application | High Back Pressure |
| Refrigerant | R290 |
| Evaporating Temp. | -15,0 °C to 10,0 °C |
| Expansion | Capillar/Valve |
| Comp. Cooling | Fan cooled |
| Max. ambient temp. | 43,0 °C |

COMPRESSOR

| | |
|--------------|-----------------------|
| Displacement | 12,10 cm ³ |
| Diameter | 27,00 mm |
| Stroke | 21,13 mm |
| Oil type | ISO VG 32 ESTER |
| Oil charge | 400 cm ³ |

MOTOR

| | |
|--------------------------|---------------|
| Nominal Power | 1/2 hp |
| Voltage/Frequency | 220-240V 50Hz |
| Voltage range | 198-255 V |
| Type | CSIR |
| Phase number | 1 PH |
| Locked Rotor Amps (LRA) | 20,00 A |
| Max. Cont. Current (MCC) | 5,20 A |
| Main W. resist. at 25°C | 4,50 Ω |
| Start W. resist. at 25°C | 8,70 Ω |

NOMINAL PERFORMANCE

| | |
|------------------|--------------|
| Cooling Capacity | 1.880 W |
| COP | 3,09 W/W |
| EER | 2,66 kCal/Wh |
| Input Power | 608 W |
| Current | 2,70 A |

ASHRAE

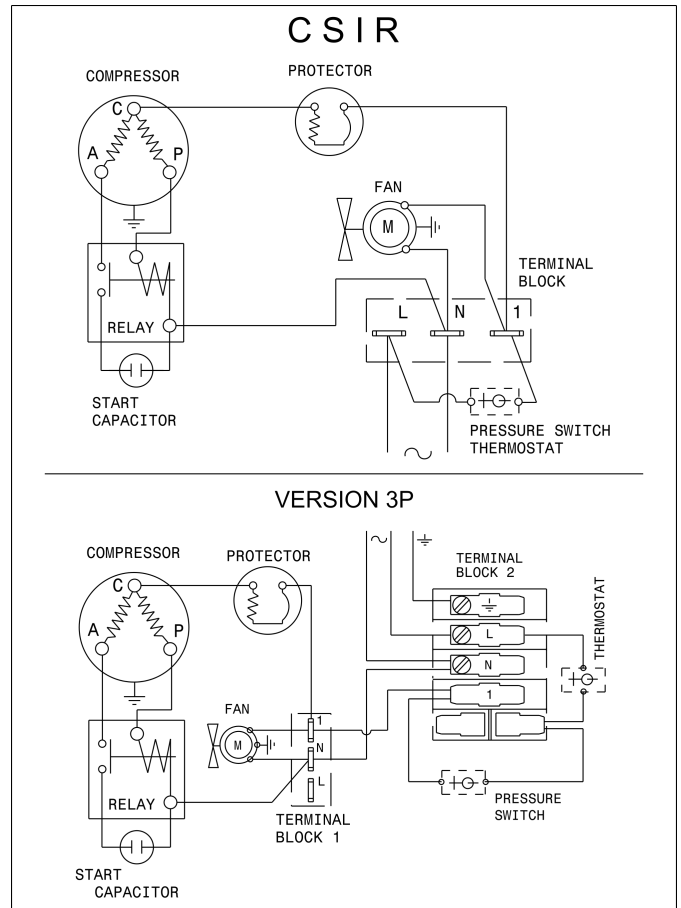
TEST CYCLE CONDITIONS

| | |
|---------------------------------------|-------------|
| | HBP |
| Evaporating temp. (T _e) | 7,2 °C |
| Condensing temp. (T _c) | 55,0 °C |
| Liquid temp. (T _{liq.}) | 46,0 °C |
| Ambient temp. (T _{amb.}) | 35,0 °C |
| Suction temp. (T _{suction}) | 35,0 °C |
| Voltage/Frequency | 220 V 50 Hz |

CONDENSER AND FAN DATA

| | |
|----------------------|------------------|
| Condenser type | CU-AL |
| Condenser model | 10T 4R |
| Fan blade (Ø mm / °) | 230 / 28 |
| Fan motor | 10W 230V 50/60Hz |

WIRING DIAGRAM



REFRIGERATION CAPACITY (W) Evaporating Temperature (°C)

| Model | Motor | -25 | -15 | -5 | 5 | 7.2 | | | 10 |
|-------------|-------|-----|-----|------|------|------|------|-----|------|
| | | | | | | W | Winp | A | |
| CNPY12RAa_N | CSIR | - | 826 | 1238 | 1753 | 1880 | 608 | 2.7 | 2047 |

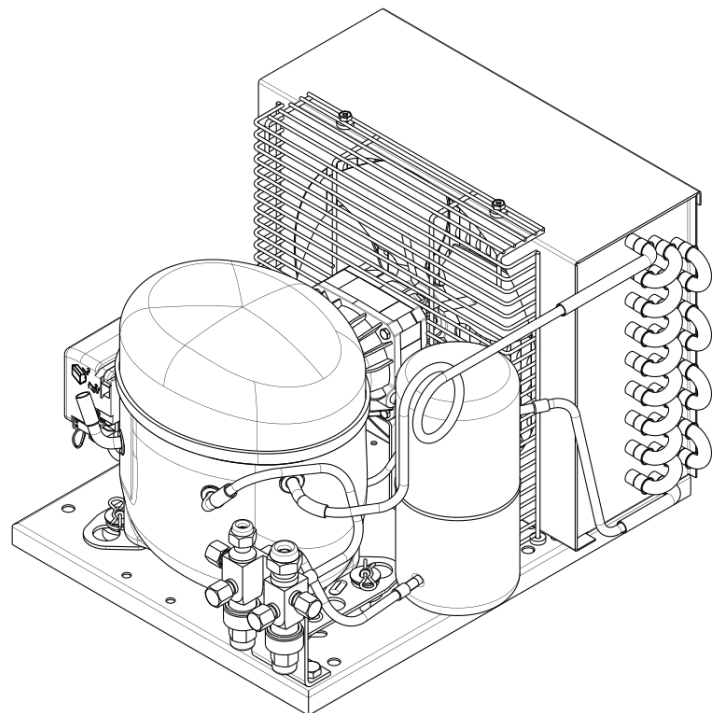
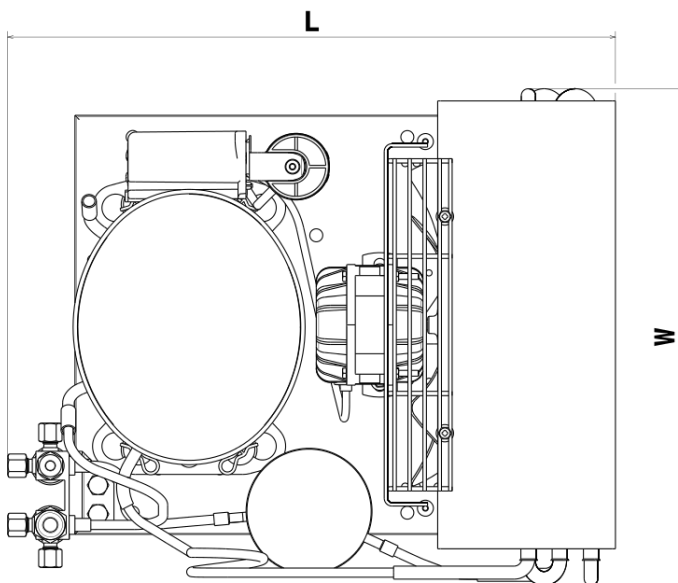
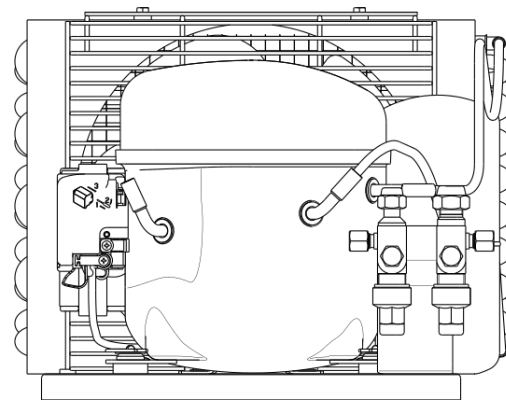
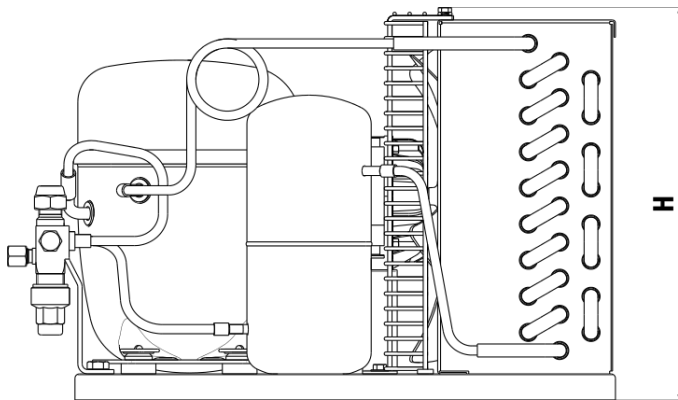
ASHRAE HBP: Condensing temperature: 55°C, Liquid temperature: 46°C, Suction temperature: 35°C, Ambient temperature: 35°C

Condensing Unit Technical Data Sheet

VERSIONS

| VERSION 1 | VERSION 2 | VERSION 3 | VERSION 3P | VERSION 4 |
|---|---|---|---|---|
| Tube | Service valve | Service valve and receiver | Service valve, receiver, pressure switch | Schrader valve on the service port |
| Suction tube internal diam.: 8,1 mm Discharge tube internal diam.: 6,5 mm Net Weight: 27,7 Kg | Suction valve: 3/8" Discharge valve: 3/8" Net Weight: 28,1 Kg | Receiver vol.: 1,1 l Suction valve: 3/8" Discharge valve: 3/8" Net Weight: 28,9 Kg | Receiver vol.: 1,1 l Suction valve: 3/8" Discharge valve: 3/8" Net Weight: 30,0 Kg | Suction tube internal diam.: 8,1 mm Discharge tube internal diam.: 6,5 mm Net Weight: 27,7 Kg |

DIMENSIONS (Version 3 drawing)



| VERSION 1-4 (WxLxH) (mm) | VERSION 2 (WxLxH) (mm) | VERSION 3 (WxLxH) (mm) | VERSION 3P (WxLxH) (mm) |
|-----------------------------|---------------------------|---------------------------|----------------------------|
| 315x385x235 | 315x425x235 | 320x425x235 | 330x435x245 |