

Condensing Unit Technical Data Sheet

Model CONLY80LAb_N
Voltage 220-240V 50Hz ~1
Refrigerant R290

APPLICATION

Application	Low Back Pressure
Refrigerant	R290
Evaporating Temp.	-40,0 °C to -10,0 °C
Expansion	Capillar/Valve
Comp. Cooling	Fan cooled
Max. ambient temp.	43,0 °C

COMPRESSOR

Displacement	8,10 cm ³
Diameter	24,29 mm
Stroke	17,47 mm
Oil type	ISO VG 46 MINER
Oil charge	400 cm ³

MOTOR

Nominal Power	1/4 hp
Voltage/Frequency	220-240V 50Hz
Voltage range	198-255 V
Type	CSR
Phase number	1 PH
Locked Rotor Amps (LRA)	10,50 A
Max. Cont. Current (MCC)	2,00 A
Main W. resist. at 25°C	11,04 Ω
Start W. resist. at 25°C	12,00 Ω

NOMINAL PERFORMANCE

Cooling Capacity	334 W
COP	1,33 W/W
EER	1,14 kCal/Wh
Input Power	251 W
Current	1,92 A

ASHRAE

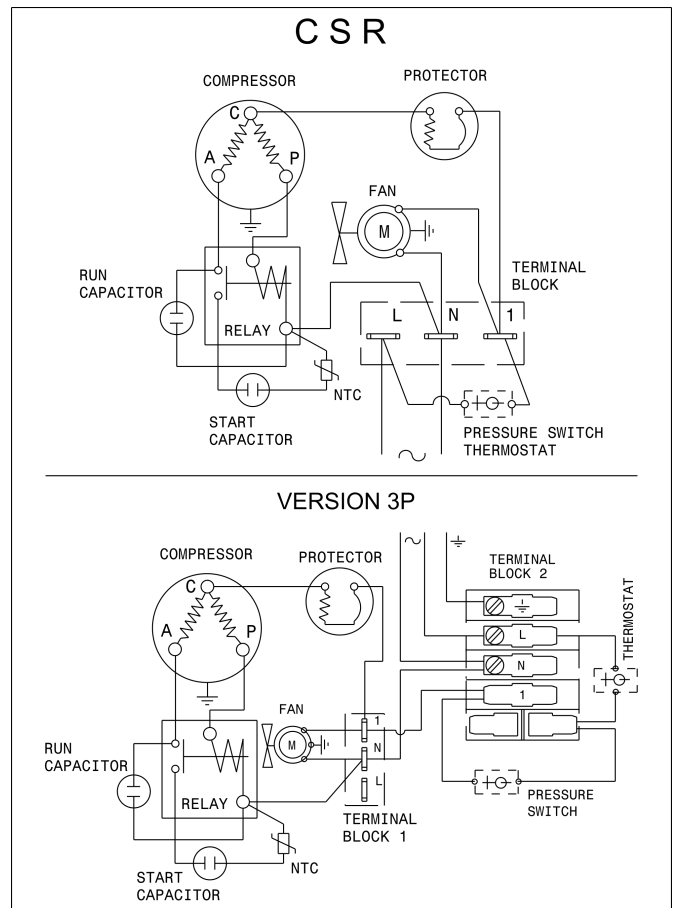
TEST CYCLE CONDITIONS

	LBP
Evaporating temp. (T _e)	-23,3 °C
Condensing temp. (T _c)	55,0 °C
Liquid temp. (T _{liq.})	32,0 °C
Ambient temp. (T _{amb.})	32,0 °C
Suction temp. (T _{suction})	32,0 °C
Voltage/Frequency	220 V 50 Hz

CONDENSER AND FAN DATA

Condenser type	CU-AL
Condenser model	7T 2R
Fan blade (Ø mm / °)	172 / 28
Fan motor	5W 230V 50/60Hz

WIRING DIAGRAM



REFRIGERATION CAPACITY (W) Evaporating Temperature (°C)

Model	Motor	-40	-35	-30	-25	-23.3			-10
						W	Winp	A	
CONLY80LAb_N	CSR	198	261	266	333	334	251	1.92	514

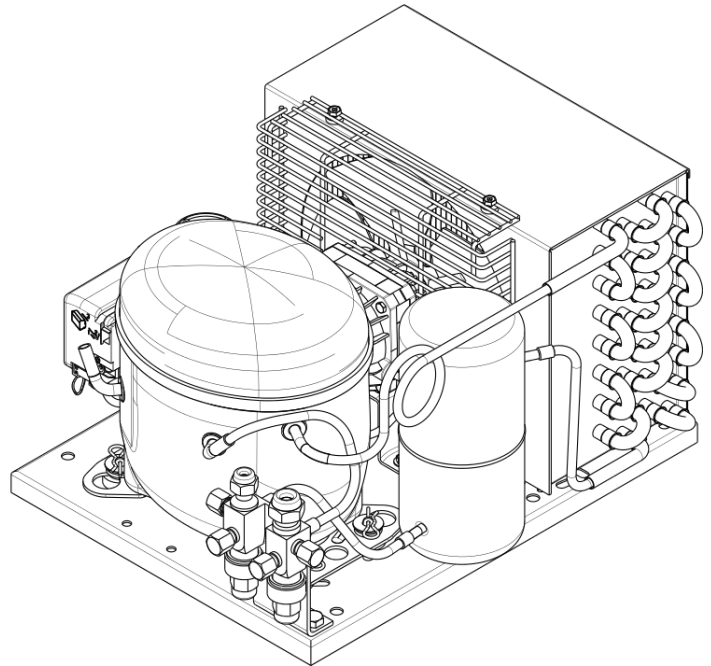
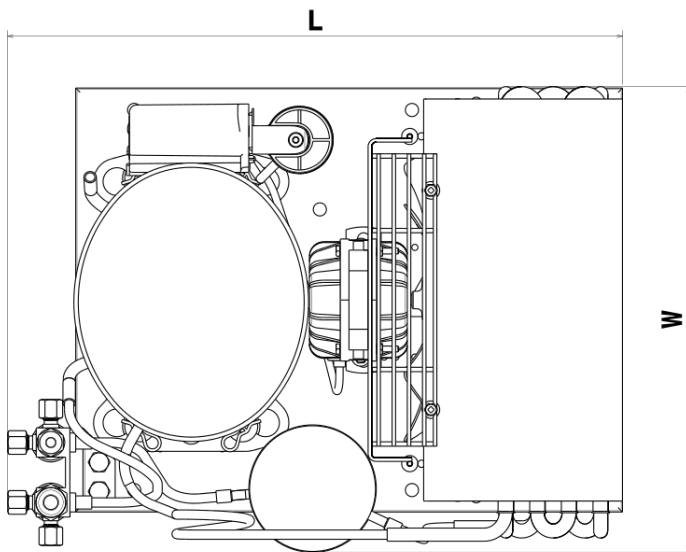
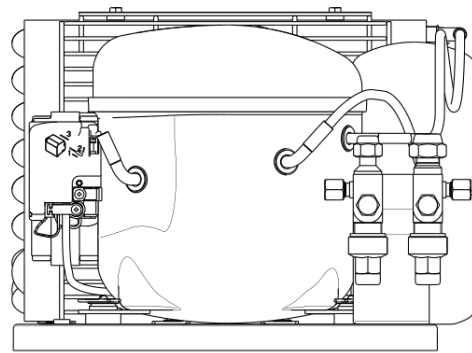
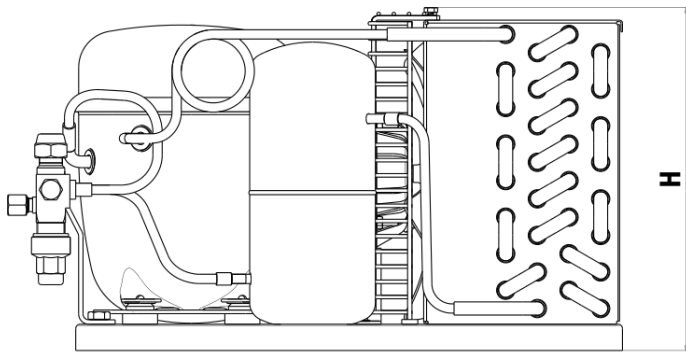
ASHRAE LBP: Condensing temperature: 55°C, Liquid temperature: 32°C, Suction temperature: 32°C, Ambient temperature: 32°C

Condensing Unit Technical Data Sheet

VERSIONS

VERSION 1	VERSION 2	VERSION 3	VERSION 3P	VERSION 4
Tube	Service valve	Service valve and receiver	Service valve, receiver, pressure switch	Schrader valve on the service port
Suction tube internal diam.: 6,5 mm Discharge tube internal diam.: 4,9 mm Net Weight: 19,2 Kg	Suction valve: 3/8" Discharge valve: 1/4" Net Weight: 19,7 Kg	Receiver vol.: 0,9 l Suction valve: 3/8" Discharge valve: 1/4" Net Weight: 20,0 Kg	Receiver vol.: 0,9 l Suction valve: 3/8" Discharge valve: 1/4" Net Weight: 21,1 Kg	Suction tube internal diam.: 6,5 mm Discharge tube internal diam.: 4,9 mm Net Weight: 19,2 Kg

DIMENSIONS (Version 3 drawing)



VERSION 1-4 (WxLxH) (mm)	VERSION 2 (WxLxH) (mm)	VERSION 3 (WxLxH) (mm)	VERSION 3P (WxLxH) (mm)
305x385x215	315x425x215	330x425x215	330x435x245