

# Condensing Unit Technical Data Sheet

**Model** CONLY80LAa\_N  
**Voltage** 220-240V 50Hz ~1  
**Refrigerant** R290

## APPLICATION

Application Low Back Pressure  
 Refrigerant R290  
 Evaporating Temp. -40,0 °C to -10,0 °C  
 Expansion Capillar/Valve  
 Comp. Cooling Fan cooled  
 Max. ambient temp. 43,0 °C

## COMPRESSOR

Displacement 8,10 cm<sup>3</sup>  
 Diameter 24,29 mm  
 Stroke 17,47 mm  
 Oil type ISO VG 46 MINER  
 Oil charge 400 cm<sup>3</sup>

## MOTOR

Nominal Power 1/4 hp  
 Voltage/Frequency 220-240V 50Hz  
 Voltage range 198-255 V  
 Type CSIR  
 Phase number 1 PH  
 Locked Rotor Amps (LRA) 10,50 A  
 Max. Cont. Current (MCC) 2,50 A  
 Main W. resist. at 25°C 11,04 Ω  
 Start W. resist. at 25°C 12,00 Ω

## NOMINAL PERFORMANCE

	ASHRAE
Cooling Capacity	334 W
COP	1,28 W/W
EER	1,10 kCal/Wh
Input Power	260 W
Current	2,02 A

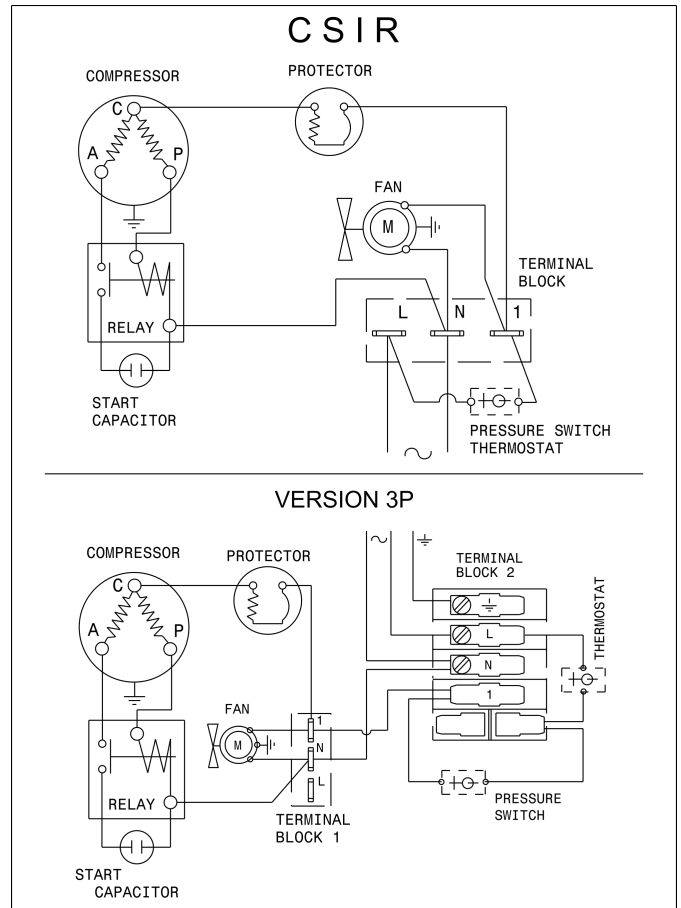
## TEST CYCLE CONDITIONS

	LBP
Evaporating temp. (T <sub>e</sub> )	-23,3 °C
Condensing temp. (T <sub>c</sub> )	55,0 °C
Liquid temp. (T <sub>liq.</sub> )	32,0 °C
Ambient temp. (T <sub>amb.</sub> )	32,0 °C
Suction temp. (T <sub>suction</sub> )	32,0 °C
Voltage/Frequency	220 V 50 Hz

## CONDENSER AND FAN DATA

Condenser type	CU-AL
Condenser model	7T 2R
Fan blade (Ø mm / °)	172 / 28
Fan motor	5W 230V 50/60Hz

## WIRING DIAGRAM



## REFRIGERATION CAPACITY (W) Evaporating Temperature (°C)

Model	Motor	-40	-35	-30	-25	-23.3			-10
						W	Winp	A	
CONLY80LAa_N	CSIR	198	261	266	333	334	260	2.02	514

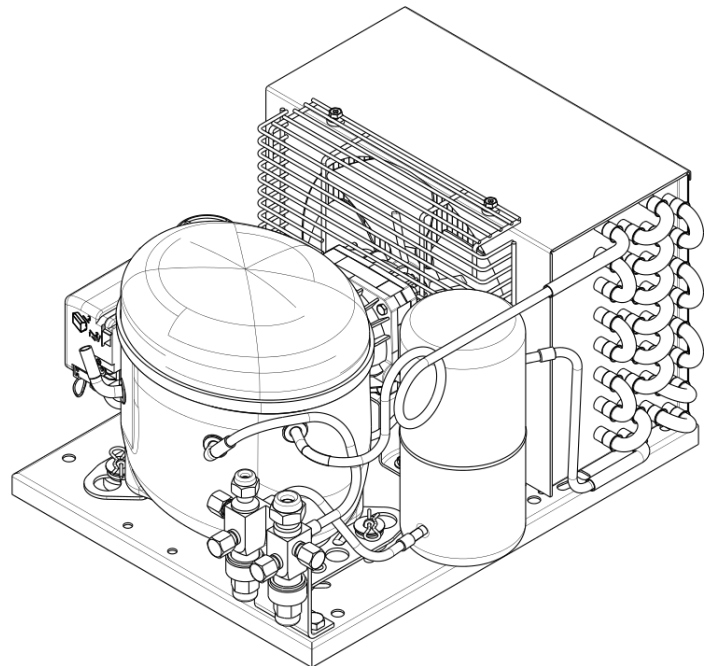
ASHRAE LBP: Condensing temperature: 55°C, Liquid temperature: 32°C, Suction temperature: 32°C, Ambient temperature: 32°C

# Condensing Unit Technical Data Sheet

## VERSIONS

VERSION 1	VERSION 2	VERSION 3	VERSION 3P	VERSION 4
<b>Tube</b>	<b>Service valve</b>	<b>Service valve and receiver</b>	<b>Service valve, receiver, pressure switch</b>	<b>Schrader valve on the service port</b>
Suction tube internal diam.: 6,5 mm Discharge tube internal diam.: 4,9 mm Net Weight: 19,2 Kg	Suction valve: 3/8" Discharge valve: 1/4" Net Weight: 19,7 Kg	Receiver vol.: 0,9 l Suction valve: 3/8" Discharge valve: 1/4" Net Weight: 20,0 Kg	Receiver vol.: 0,9 l Suction valve: 3/8" Discharge valve: 1/4" Net Weight: 21,1 Kg	Suction tube internal diam.: 6,5 mm Discharge tube internal diam.: 4,9 mm Net Weight: 19,2 Kg

## DIMENSIONS (Version 3 drawing)



VERSION 1-4 (WxLxH) (mm)	VERSION 2 (WxLxH) (mm)	VERSION 3 (WxLxH) (mm)	VERSION 3P (WxLxH) (mm)
305x385x215	315x425x215	330x425x215	330x435x245