

# Condensing Unit Technical Data Sheet

**Model** CMX21TBa\_N  
**Voltage** 220-240V 50Hz ~1  
**Refrigerant** R404A

## APPLICATION

Application High-Medium Back Pressure  
 Refrigerant R404A  
 Evaporating Temp. -25,0 °C to 10,0 °C  
 Expansion Capillar/Valve  
 Comp. Cooling Fan cooled  
 Max. ambient temp. 43,0 °C

## COMPRESSOR

Displacement 20,72 cm<sup>3</sup>  
 Diameter 34,93 mm  
 Stroke 21,62 mm  
 Oil type ISO VG 32 ESTER  
 Oil charge 500 cm<sup>3</sup>

## MOTOR

Nominal Power 1 hp  
 Voltage/Frequency 220-240V 50Hz  
 Voltage range 198-255 V  
 Type CSR  
 Phase number 1 PH  
 Locked Rotor Amps (LRA) 37,00 A  
 Max. Cont. Current (MCC) 9,60 A  
 Main W. resist. at 25°C 2,14 Ω  
 Start W. resist. at 25°C 6,24 Ω

## NOMINAL PERFORMANCE

Cooling Capacity	2.603 W
COP	1,88 W/W
EER	1,62 kCal/Wh
Input Power	1.384 W
Current	6,00 A

## ASHRAE

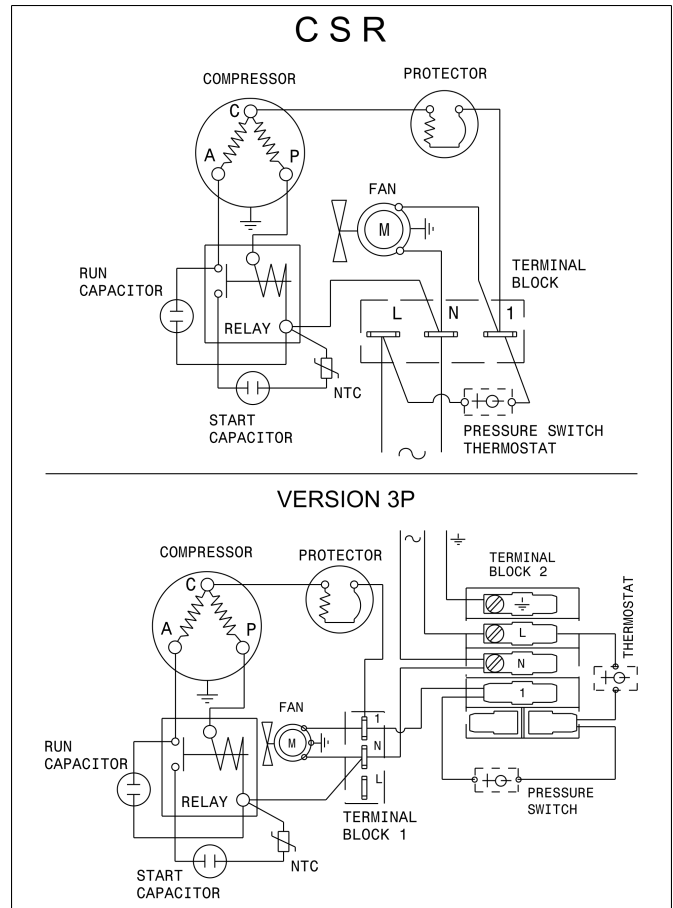
## TEST CYCLE CONDITIONS

	HMBP
Evaporating temp. (T <sub>e</sub> )	7,2 °C
Condensing temp. (T <sub>c</sub> )	55,0 °C
Liquid temp. (T <sub>liq.</sub> )	46,0 °C
Ambient temp. (T <sub>amb.</sub> )	35,0 °C
Suction temp. (T <sub>suction</sub> )	35,0 °C
Voltage/Frequency	220 V 50 Hz

## CONDENSER AND FAN DATA

Condenser type	CU-AL
Condenser model	16T 4R
Fan blade (Ø mm / °)	300 / 27
Fan motor	25W 220-240V 50/60Hz

## WIRING DIAGRAM



## REFRIGERATION CAPACITY (W) Evaporating Temperature (°C)

Model	Motor	-25	-15	-5	5	7.2			10
						W	Winp	A	
CMX21TBa_N	CSR	-	1265	1798	2445	2603	1384	6	2812

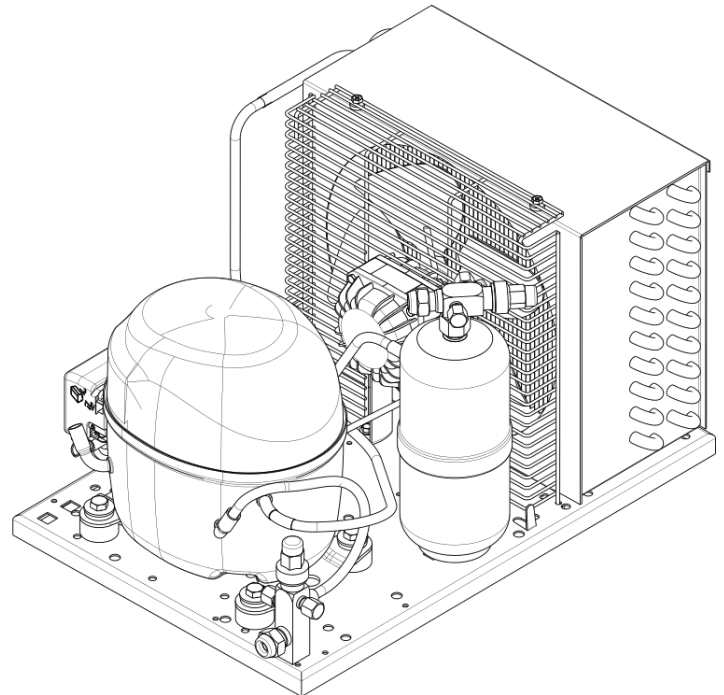
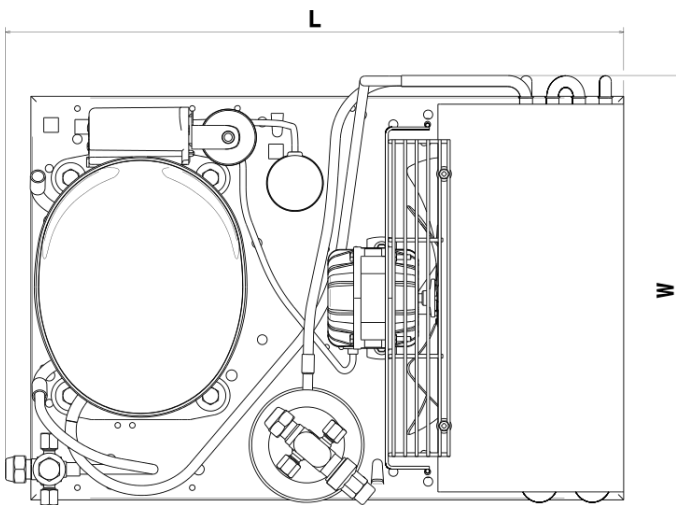
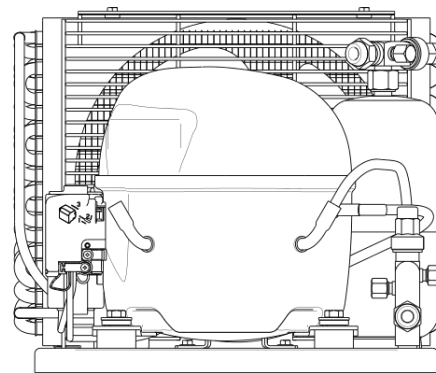
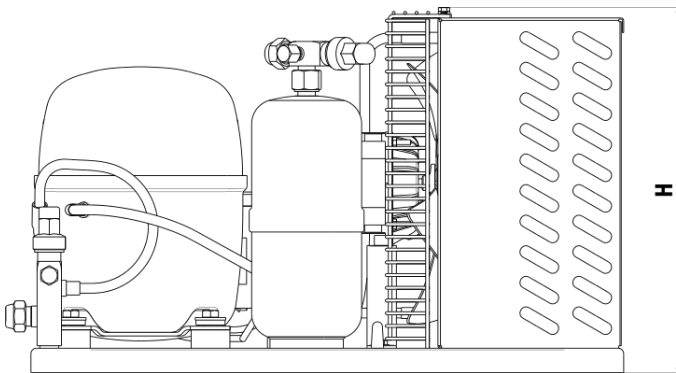
ASHRAE HMBP: Condensing temperature: 55°C, Liquid temperature: 46°C, Suction temperature: 35°C, Ambient temperature: 35°C

# Condensing Unit Technical Data Sheet

## VERSIONS

VERSION 1	VERSION 2	VERSION 3	VERSION 3P	VERSION 4
<b>Tube</b>	<b>Service valve</b>	<b>Service valve and receiver</b>	<b>Service valve, receiver, pressure switch</b>	<b>Schrader valve on the service port</b>
Suction tube internal diam.: 9,7 mm Discharge tube internal diam.: 6,5 mm Net Weight: 33,7 Kg	Suction valve: 1/2" Discharge valve: 3/8" Net Weight: 34,3 Kg	Receiver vol.: 2,4 l Suction valve: 1/2" Discharge valve: 3/8" Net Weight: 36,0 Kg	Receiver vol.: 2,4 l Suction valve: 1/2" Discharge valve: 3/8" Net Weight: 37,1 Kg	Suction tube internal diam.: 9,7 mm Discharge tube internal diam.: 6,5 mm Net Weight: 33,7 Kg

## DIMENSIONS (Version 3 drawing)



VERSION 1-4 (WxLxH) (mm)	VERSION 2 (WxLxH) (mm)	VERSION 3 (WxLxH) (mm)	VERSION 3P (WxLxH) (mm)
460x495x445	460x520x445	460x520x445	460x520x445