

# Condensing Unit Technical Data Sheet

**Model** CMX18TBa\_M  
**Voltage** 220-240V 50Hz ~1  
**Refrigerant** R404A

## APPLICATION

Application High-Medium Back Pressure  
 Refrigerant R404A  
 Evaporating Temp. -25,0 °C to 10,0 °C  
 Expansion Capillar/Valve  
 Comp. Cooling Fan cooled  
 Max. ambient temp. 38,0 °C

## COMPRESSOR

Displacement 18,40 cm<sup>3</sup>  
 Diameter 34,93 mm  
 Stroke 19,20 mm  
 Oil type ISO VG 32 ESTER  
 Oil charge 500 cm<sup>3</sup>

## MOTOR

Nominal Power 7/8 hp  
 Voltage/Frequency 220-240V 50Hz  
 Voltage range 187-255 V  
 Type CSR  
 Phase number 1 PH  
 Locked Rotor Amps (LRA) 34,50 A  
 Max. Cont. Current (MCC) 9,00 A  
 Main W. resist. at 25°C 2,34 Ω  
 Start W. resist. at 25°C 7,22 Ω

## NOMINAL PERFORMANCE

|                  |              |
|------------------|--------------|
| Cooling Capacity | 2.228 W      |
| COP              | 1,62 W/W     |
| EER              | 1,39 kCal/Wh |
| Input Power      | 1.375 W      |
| Current          | 6,01 A       |

## ASHRAE

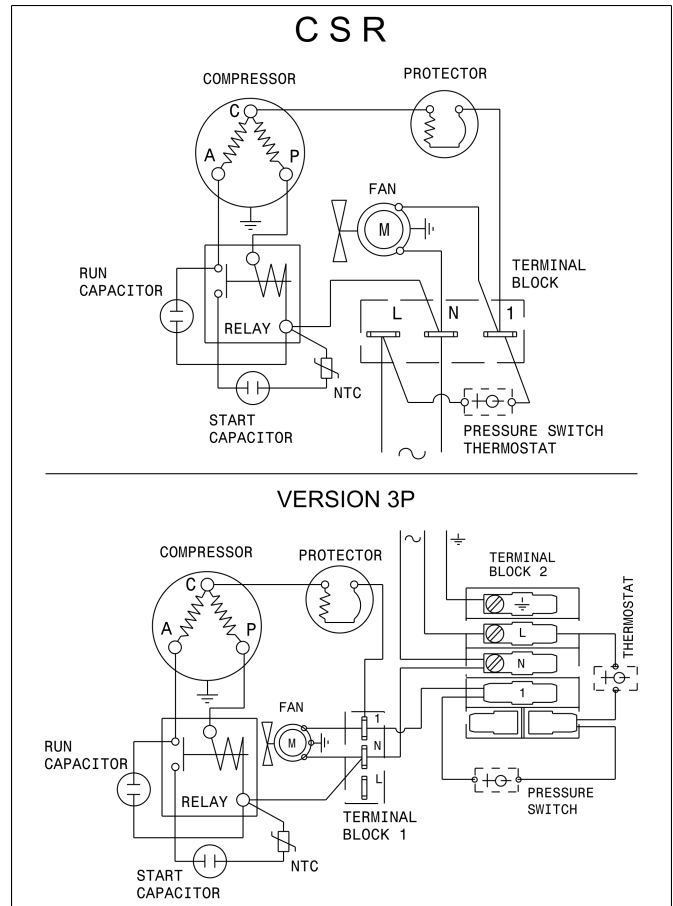
## TEST CYCLE CONDITIONS

|                                       | HMBP        |
|---------------------------------------|-------------|
| Evaporating temp. (T <sub>e</sub> )   | 7,2 °C      |
| Condensing temp. (T <sub>c</sub> )    | 55,0 °C     |
| Liquid temp. (T <sub>liq.</sub> )     | 46,0 °C     |
| Ambient temp. (T <sub>amb.</sub> )    | 35,0 °C     |
| Suction temp. (T <sub>suction</sub> ) | 35,0 °C     |
| Voltage/Frequency                     | 220 V 50 Hz |

## CONDENSER AND FAN DATA

|                      |                      |
|----------------------|----------------------|
| Condenser type       | CU-AL                |
| Condenser model      | 12T 4R               |
| Fan blade (Ø mm / °) | 300 / 25             |
| Fan motor            | 25W 220-240V 50/60Hz |

## WIRING DIAGRAM



## REFRIGERATION CAPACITY (W) Evaporating Temperature (°C)

| Model      | Motor | -25 | -15  | -5   | 5    | 7.2  |      |      | 10   |
|------------|-------|-----|------|------|------|------|------|------|------|
|            |       |     |      |      |      | W    | Winp | A    |      |
| CMX18TBa_M | CSR   | -   | 1206 | 1650 | 2121 | 2228 | 1375 | 6.01 | 2367 |

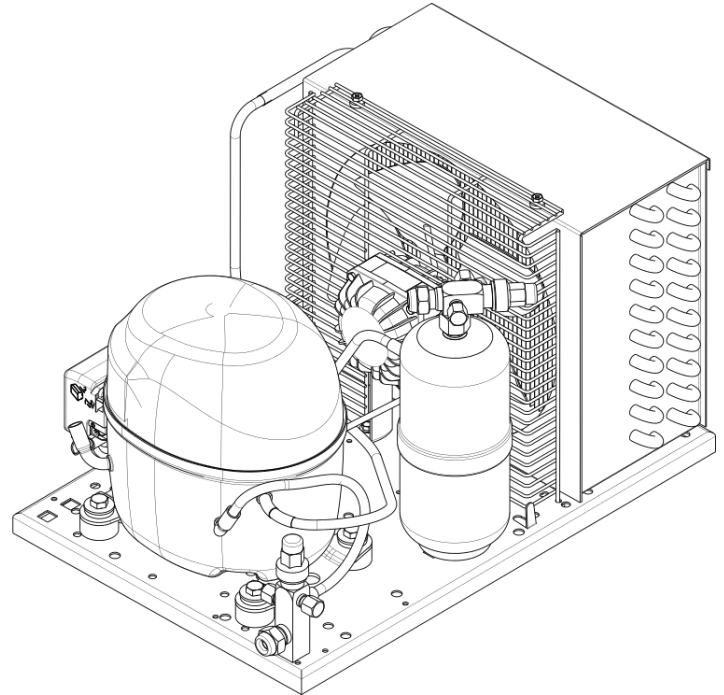
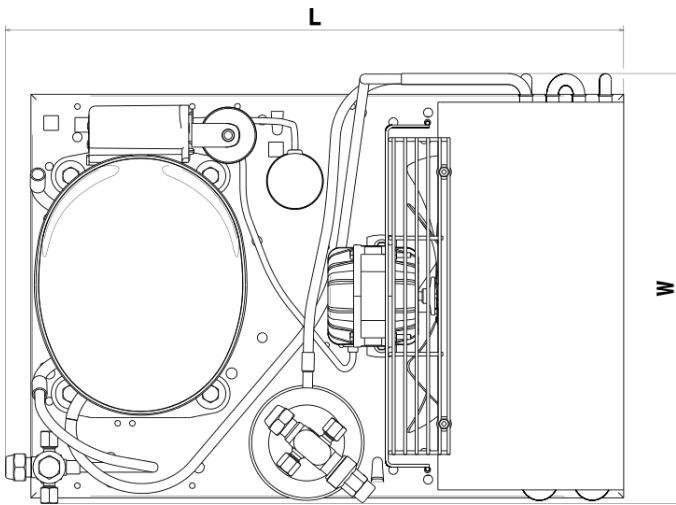
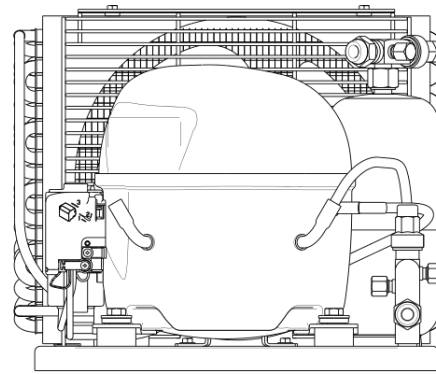
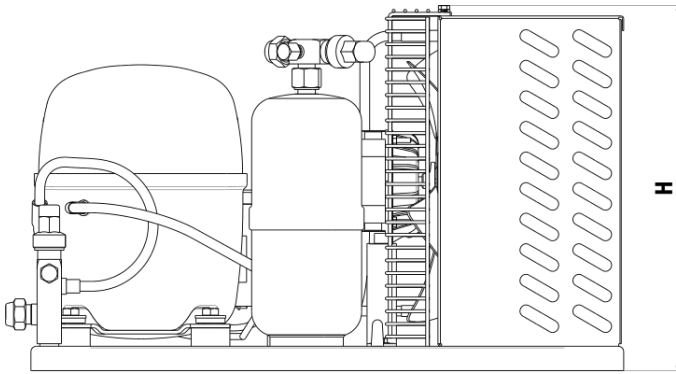
ASHRAE HMBP: Condensing temperature: 55°C, Liquid temperature: 46°C, Suction temperature: 35°C, Ambient temperature: 35°C

# Condensing Unit Technical Data Sheet

## VERSIONS

| VERSION 1   | VERSION 2   | VERSION 3   | VERSION 3P  | VERSION 4   |
|---|---|---|---|---|
| <b>Tube</b>   | <b>Service valve</b>  | <b>Service valve and receiver</b>   | <b>Service valve, receiver, pressure switch</b>   | <b>Schrader valve on the service port</b>   |
| Suction tube internal diam.: 9,7 mm<br>Discharge tube internal diam.: 6,5 mm<br>Net Weight: 30,8 Kg | Suction valve: 3/8"<br>Discharge valve: 3/8"<br>Net Weight: 31,2 Kg | Receiver vol.: 2,4 l<br>Suction valve: 3/8"<br>Discharge valve: 3/8"<br>Net Weight: 33,0 Kg | Receiver vol.: 2,4 l<br>Suction valve: 3/8"<br>Discharge valve: 3/8"<br>Net Weight: 34,1 Kg | Suction tube internal diam.: 9,7 mm<br>Discharge tube internal diam.: 6,5 mm<br>Net Weight: 30,8 Kg |

## DIMENSIONS (Version 3 drawing)



| VERSION 1-4<br>(WxLxH) (mm) | VERSION 2<br>(WxLxH) (mm) | VERSION 3<br>(WxLxH) (mm) | VERSION 3P<br>(WxLxH) (mm) |
|-----------------------------|---------------------------|---------------------------|----------------------------|
| 430x505x355                 | 430x525x355               | 435x525x355               | 435x530x355                |