

# Condensing Unit Technical Data Sheet

**Model** CMS34TB\_M  
**Voltage** 220-240V 50Hz ~1  
**Refrigerant** R404A

## APPLICATION

Application	High Back Pressure
Refrigerant	R404A
Evaporating Temp.	-15,0 °C to 10,0 °C
Expansion	Capillar/Valve
Comp. Cooling	Fan cooled
Max. ambient temp.	38,0 °C

## COMPRESSOR

Displacement	34,42 cm <sup>3</sup>
Diameter	42,86 mm
Stroke	23,85 mm
Oil type	ISO VG 46 ESTER
Oil charge	887 cm <sup>3</sup>

## MOTOR

Nominal Power	1 5/8 hp
Voltage/Frequency	220-240V 50Hz
Voltage range	198-255 V
Type	CSR
Phase number	1 PH
Locked Rotor Amps (LRA)	41,00 A
Max. Cont. Current (MCC)	17,50 A
Main W. resist. at 25°C	1,38 Ω
Start W. resist. at 25°C	4,58 Ω

## NOMINAL PERFORMANCE

Cooling Capacity	4.702 W
COP	1,93 W/W
EER	1,66 kCal/Wh
Input Power	2.434 W
Current	12,07 A

## ASHRAE

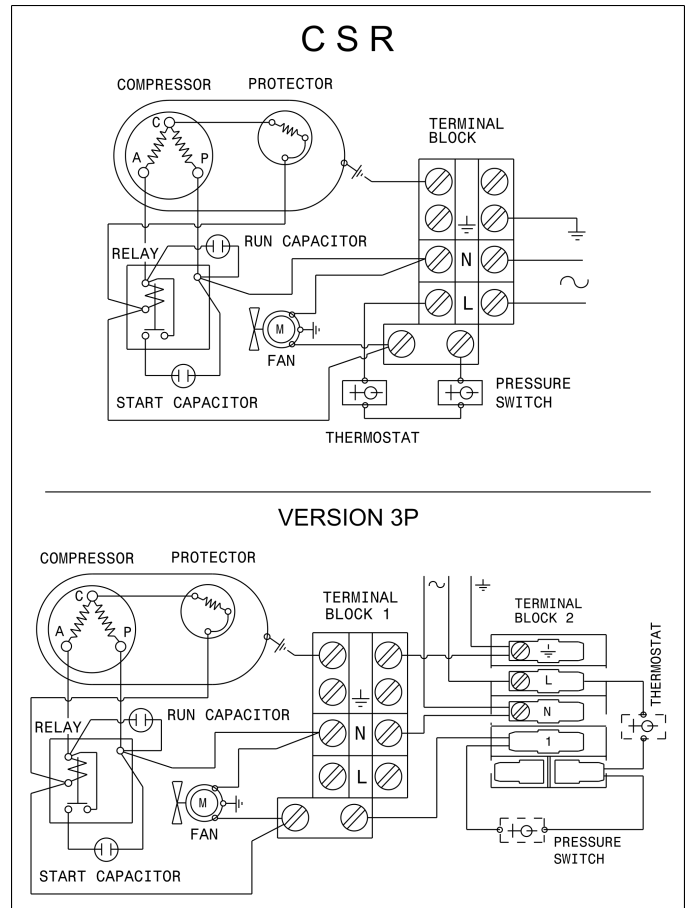
## TEST CYCLE CONDITIONS

	HBP
Evaporating temp. (T <sub>e</sub> )	7,2 °C
Condensing temp. (T <sub>c</sub> )	55,0 °C
Liquid temp. (T <sub>liq.</sub> )	46,0 °C
Ambient temp. (T <sub>amb.</sub> )	35,0 °C
Suction temp. (T <sub>suction</sub> )	35,0 °C
Voltage/Frequency	220 V 50 Hz

## CONDENSER AND FAN DATA

Condenser type	CU-AL
Condenser model	16T 5R
Fan blade (Ø mm / °)	350 / 23
Fan motor	130W 230V 50/60Hz

## WIRING DIAGRAM



## REFRIGERATION CAPACITY (W) Evaporating Temperature (°C)

Model	Motor	-25	-15	-5	5	7.2			10
						W	Winp	A	
CMS34TB_M	CSR	1335	2424	3475	4485	4702	2434	12.07	4976

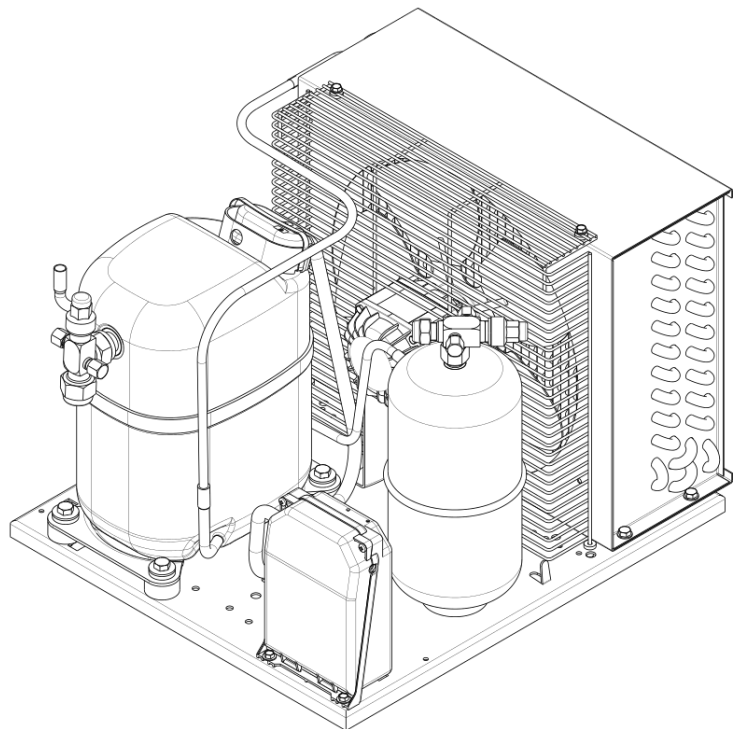
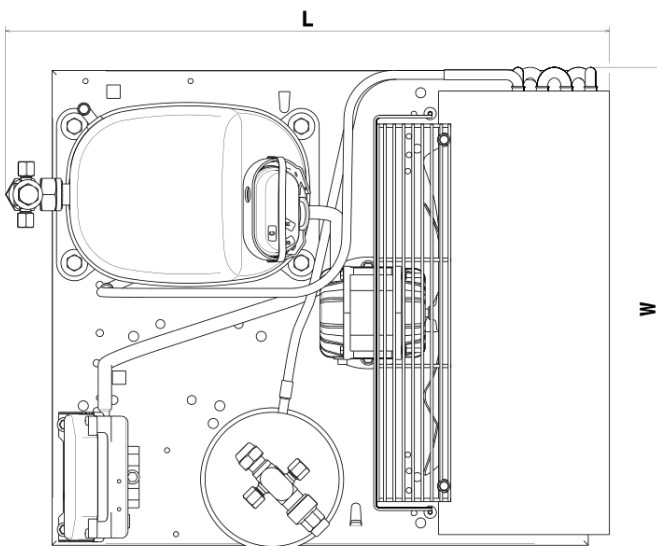
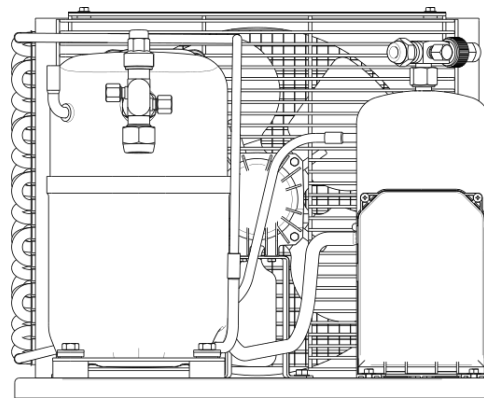
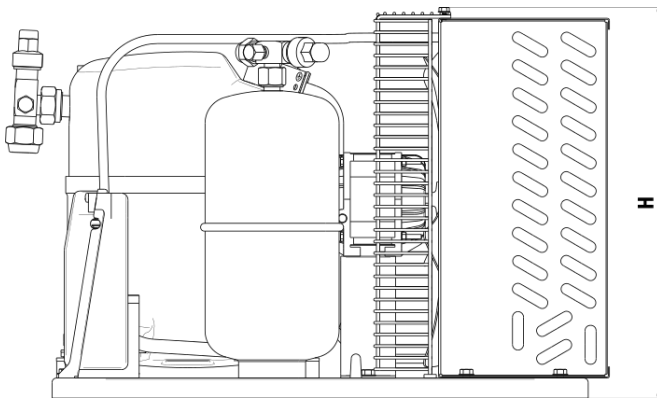
ASHRAE HBP: Condensing temperature: 55°C, Liquid temperature: 46°C, Suction temperature: 35°C, Ambient temperature: 35°C

# Condensing Unit Technical Data Sheet

## VERSIONS

VERSION 1	VERSION 2	VERSION 3	VERSION 3P	VERSION 4
<b>Tube</b>	<b>Service valve</b>	<b>Service valve and receiver</b>	<b>Service valve, receiver, pressure switch</b>	<b>Schrader valve on the service port</b>
Suction tube internal diam.: 12,7 mm Discharge tube internal diam.: 8,0 mm Net Weight: 42,0 Kg	Suction valve: 5/8" Discharge valve: 3/8" Net Weight: 43,0 Kg	Receiver vol.: 2,4 l Suction valve: 5/8" Discharge valve: 3/8" Net Weight: 44,5 Kg	Receiver vol.: 2,4 l Suction valve: 5/8" Discharge valve: 3/8" Net Weight: 45,6 Kg	Suction tube internal diam.: 12,7 mm Discharge tube internal diam.: 8,0 mm Net Weight: 42,0 Kg

## DIMENSIONS (Version 3 drawing)



VERSION 1-4 (WxLxH) (mm)	VERSION 2 (WxLxH) (mm)	VERSION 3 (WxLxH) (mm)	VERSION 3P (WxLxH) (mm)
460x505x440	460x520x440	460x520x440	460x520x440