

# Condensing Unit Technical Data Sheet

**Model** CMS22T3\_M  
**Voltage** 400/440V 50/60Hz ~3  
**Refrigerant** R404A

## APPLICATION

Application High-Medium Back Pressure  
 Refrigerant R404A  
 Evaporating Temp. -25,0 °C to 10,0 °C  
 Expansion Capillar/Valve  
 Comp. Cooling Fan cooled  
 Max. ambient temp. 38,0 °C

## COMPRESSOR

Displacement 21,75 cm<sup>3</sup>  
 Diameter 38,10 mm  
 Stroke 19,07 mm  
 Oil type ISO VG 46 ESTER  
 Oil charge 887 cm<sup>3</sup>

## MOTOR

Nominal Power 1 hp  
 Voltage/Frequency 400V 50Hz  
 Voltage range 340-440 V  
 Type 3PHASE  
 Phase number 3 PH  
 Locked Rotor Amps (LRA) 10,50 A  
 Max. Cont. Current (MCC) 3,00 A  
 Main W. resist. at 25°C 16,05 Ω  
 Start W. resist. at 25°C 21,80 Ω

## NOMINAL PERFORMANCE

Cooling Capacity	3.028 W
COP	2,02 W/W
EER	1,73 kCal/Wh
Input Power	1.501 W
Current	1,99 A

## ASHRAE

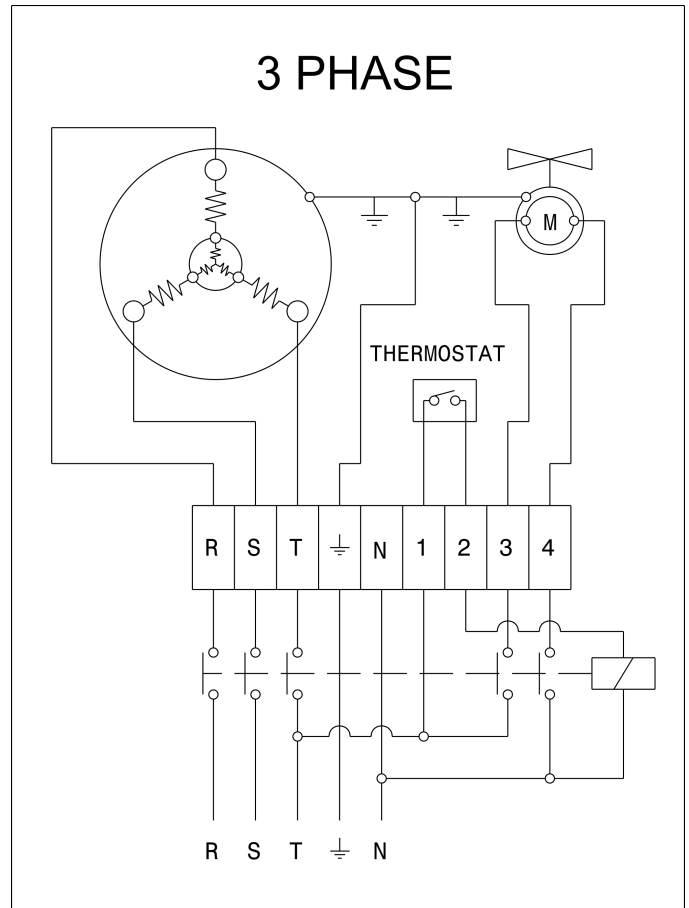
## TEST CYCLE CONDITIONS

	HMBP
Evaporating temp. (T <sub>e</sub> )	7,2 °C
Condensing temp. (T <sub>c</sub> )	55,0 °C
Liquid temp. (T <sub>liq.</sub> )	46,0 °C
Ambient temp. (T <sub>amb.</sub> )	35,0 °C
Suction temp. (T <sub>suction</sub> )	35,0 °C
Voltage/Frequency	400 V 50 Hz

## CONDENSER AND FAN DATA

Condenser type	CU-AL
Condenser model	16T 4R
Fan blade (Ø mm / °)	300 / 27
Fan motor	85W 230V 50/60Hz

## WIRING DIAGRAM



## REFRIGERATION CAPACITY (W) Evaporating Temperature (°C)

Model	Motor	-25	-15	-5	5	7.2			10
						W	Winp	A	
CMS22T3_M	3PHASE	943	1484	2121	2854	3028	1501	1.99	3256

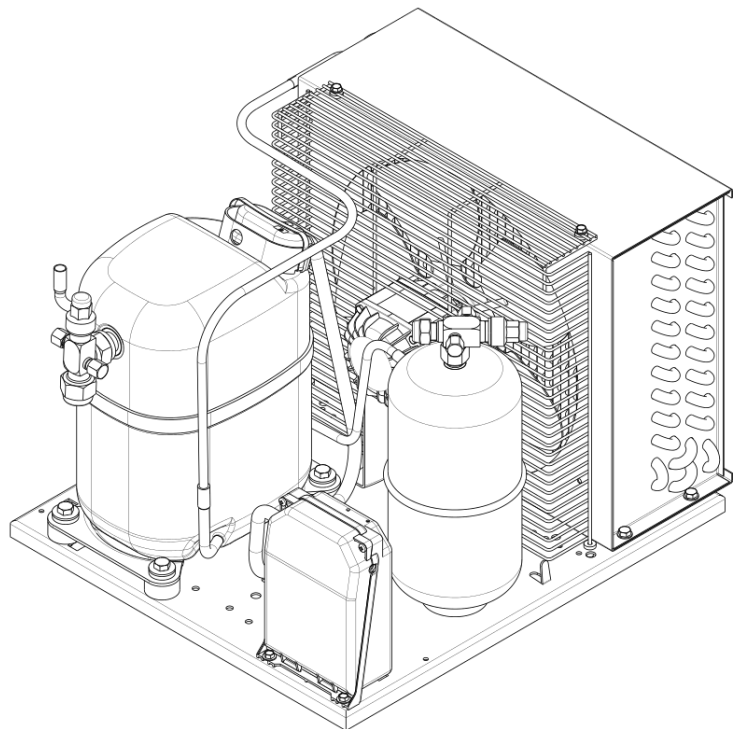
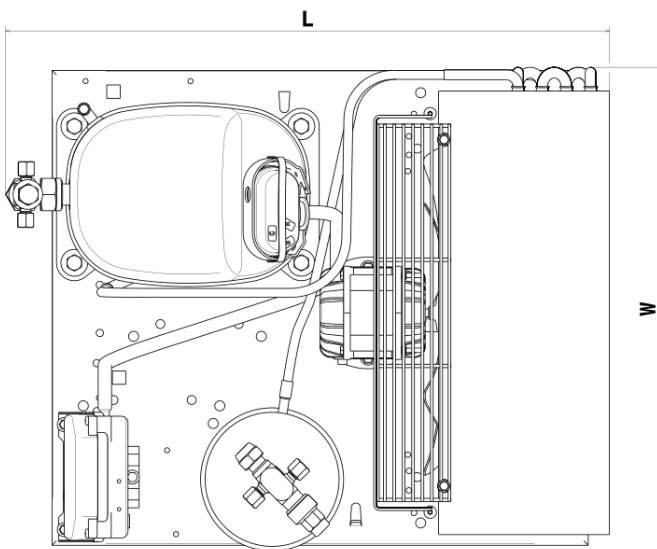
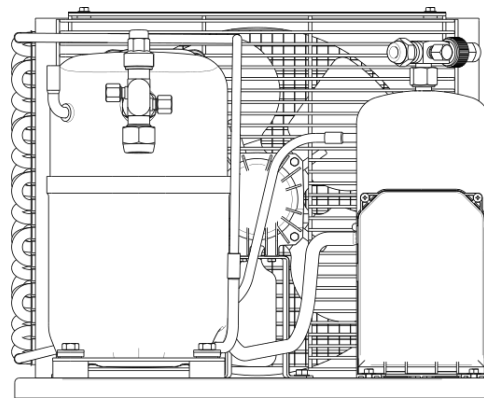
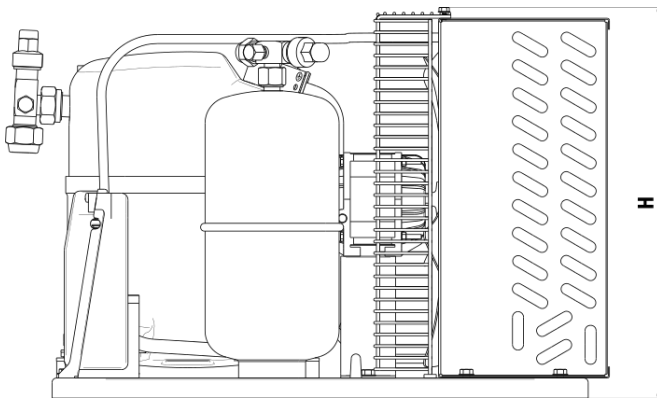
ASHRAE HMBP: Condensing temperature: 55°C, Liquid temperature: 46°C, Suction temperature: 35°C, Ambient temperature: 35°C

# Condensing Unit Technical Data Sheet

## VERSIONS

VERSION 1	VERSION 2	VERSION 3	VERSION 3P	VERSION 4
<b>Tube</b>	<b>Service valve</b>	<b>Service valve and receiver</b>	<b>Service valve, receiver, pressure switch</b>	<b>Schrader valve on the service port</b>
Suction tube internal diam.: 12,7 mm Discharge tube internal diam.: 8,0 mm Net Weight: 35,5 Kg	Suction valve: 1/2" Discharge valve: 3/8" Net Weight: 36,4 Kg	Receiver vol.: 2,4 l Suction valve: 1/2" Discharge valve: 3/8" Net Weight: 38,0 Kg	Receiver vol.: 2,4 l Suction valve: 1/2" Discharge valve: 3/8" Net Weight: 39,1 Kg	Suction tube internal diam.: 12,7 mm Discharge tube internal diam.: 8,0 mm Net Weight: 35,5 Kg

## DIMENSIONS (Version 3 drawing)



VERSION 1-4 (WxLxH) (mm)	VERSION 2 (WxLxH) (mm)	VERSION 3 (WxLxH) (mm)	VERSION 3P (WxLxH) (mm)
460x495x445	460x535x445	460x535x445	460x535x445